

**PRICELIST
EUR
2024**



Stay cool, Stay Cold

COLD s.j.
Łany 6
32-700 Bochnia
Polska
+48 14 611 15 80

COLD@COLD.PL
WWW.COLD.PL

REFRIGERATED DISPLAY CASES 7

MODENA PVP (PLUG-IN / REMOTE)..... 9
 MODENA PVU (PLUG-IN / REMOTE) 11
 MODENA PVK (PLUG-IN / REMOTE).....13
 MODENA FREEEZING/BAIN-MARIE/HEATED.....15
 VERONA PP-K-V (PLUG-IN / REMOTE)17
 VERONA PS-K-V (PLUG-IN / REMOTE)19
 VERONA PS-K-V-O (PLUG-IN / REMOTE).....21
 VERONA PKV-K (PLUG-IN / REMOTE).....23
 VERONA GRANDE (PLUG-IN / REMOTE).....25
 VERONA FREEZER/BAIN-MARIE/HEAT.....27
 LAGOS (PLUG-IN / REMOTE).....29
 KYOTO (PLUG-IN / REMOTE).....31
 HAMBURG (PLUG-IN / REMOTE).....33
 VIGO (PLUG-IN / REMOTE).....35
 ARIZONA (PLUG-IN)37
 NEVADA (PLUG-IN / REMOTE).....39
 SKYE (PLUG-IN / REMOTE).....41



MULTIDECK REFRIGERATED DISPLAYS 43

LAVAL (REMOTE)45
 EVEREST (PLUG-IN/REMOTE).....47
 BARI (PLUG-IN / REMOTE)49
 PRAGA 2 (PLUG-IN/REMOTE).....51
 SAPORO (REMOTE).....53
 MONTANA (PLUG-IN).....55
 VEGA (PLUG-IN/REMOTE).....57



MULTIDECK FREEZER DISPLAYS 59

ARCTIC (REMOTE)61
 ALASKA (PLUG-IN).....63



REFRIGERATED CABINETS 65

ASTANA (PLUG-IN)67
 BOSTON (PLUG-IN).....69
 DENVER (PLUG-IN).....71
 BUFFALO /FOR HALF-CARCASSES/(PLUG-IN)73
 MAX (PLUG-IN)75
 BLAST FREEZER (PLUG-IN).....77



LINEAGASTRO 79

LINEAGASTRO (PLUG-IN).....81

PASTRY DISPLAYS 83

CARMELLO (PLUG-IN/REMOTE/NEUTRAL)85
 MALAGA (PLUG-IN/REMOTE/NEUTRAL)87
 LAGUNA (PLUG-IN/REMOTE)89
 VISION (PLUG-IN/REMOTE).....91
 ATENA (PLUG-IN)93
 COUNTERTOP HEATED DISPLAY CASE NG-295



MULTI-FLAVOR ICE CREAM DISPENSERS 97

MALIBU (PLUG-IN).....99
 GALAXY (PLUG-IN).....101



FREEZER ISLANDS 103

MILLENIUM (PLUG-IN)105
 PANORAMA (PLUG-IN).....107
 OSLO (REMOTE)109
 ODESSA (REMOTE).....111
 PETERSBURG (REMOTE)113



REFRIGERATED MERCHANDISERS 115

BALI (PLUG-IN)117
 BERGAMO (PLUG-IN)119
 YOKOHAMA (PLUG-IN)121



FRUIT AND VEGETABLE DISPLAYS 123

ISLAND (NEUTRAL)125
 WALL STAND (NEUTRAL)127



PLACING AN ORDER

1. Select the device series from the price list, e.g., VERONA.

The price list is divided into categories and series, which you can easily locate.

2. Choose the execution variant from the price list card, e.g., PS-k-v-o.

The price list card includes information about the available execution variants of the device (apart from the base variant).

3. Choose the optional equipment that the customer expects.

For each model, there is information available about the options. Remember to include this information in the order.

4. Specify the characteristic features you require.

Quantity; whether it's for joining in a line or for freestanding, plug-in version, remote, depth), color scheme: front, sides, ,etc

5. Place the order.

We encourage you to use our order form. Prepare all the necessary information for the order.

You can place an order via email: cold@cold.pl, by phone: +48 14 611 15 80 or by fax +48 14 611 15 78.

The order form can be downloaded directly from the website: <https://www.cold.pl/pl/do-pobrania>

ORDER FORM TEMPLATE

<https://www.cold.pl/pl/do-pobrania>

SERIA I CENA		WYKONANIE													
KATEGORIA		CHARAKTERYSTYKA							DODATKOWA						
WYKONANIE	CENA	WYKONANIE	WYKONANIE	WYKONANIE	WYKONANIE	WYKONANIE	WYKONANIE	WYKONANIE	WYKONANIE	WYKONANIE	WYKONANIE	WYKONANIE	WYKONANIE	WYKONANIE	WYKONANIE
1															
WYKONANIE OPCJONALNE:															
2															
WYKONANIE OPCJONALNE:															
3															
WYKONANIE OPCJONALNE:															
4															
WYKONANIE OPCJONALNE:															
5															
WYKONANIE OPCJONALNE:															

USTAWIENIE CIĄGÓW															
DO SAMOŚCIELA BR:		DO SAMOŚCIELA BR:													
CZĘŚĆ BR		CZĘŚĆ BR													
WYKONANIE	CENA	WYKONANIE	WYKONANIE	WYKONANIE	WYKONANIE	WYKONANIE	WYKONANIE	WYKONANIE	WYKONANIE	WYKONANIE	WYKONANIE	WYKONANIE	WYKONANIE	WYKONANIE	WYKONANIE
1															
WYKONANIE OPCJONALNE:															
2															
WYKONANIE OPCJONALNE:															
3															
WYKONANIE OPCJONALNE:															
4															
WYKONANIE OPCJONALNE:															

GENERAL TERMS

- Information provided on the COLD website and in price lists, catalogs, and brochures (including information about dimensions, execution standards, color shades, options), does not constitute an offer within the meaning of the Civil Code, but only an invitation to place orders.
- Product prices in the price lists are given in Polish zlotys (PLN). The price lists are not an offer and are for informational purposes only. The prices listed do not include the recycling fee.
- COLD reserves the right to make changes to the offered assortment at any time.
- The condition for the conclusion of the sales contract is the placement of an order by the Buyer and the confirmation of the order by COLD with the "PRO-FORMA invoice" document generated by the Seller.
- The Buyer places orders via email, fax, or traditional mail.
- The order should be placed on the appropriate form and clearly define:
 - description of the order item (product symbol, quantity, and type of product, other details enabling the unambiguous identification of the ordered products)
 - details of the person placing the order (contact phone, email)
 - Buyer's data
- Product prices include standard packaging. If the Buyer requests packaging other than standard, they will be obliged to bear the resulting costs. The place of issuance of the products is the COLD warehouse at the Seller's headquarters. Delivery terms EXW (Ex Works) according to Incoterms 2010, unless the Order Confirmation states otherwise. The Seller is not responsible for any damage in the transport of goods.
- In case of delay in the collection of the order by the Buyer, the Manufacturer has the right to charge the Buyer for the costs of storing the product. If the collection of the Devices does not occur within 7 calendar days, the storage service is provided by the Manufacturer for a fee. The Manufacturer has the right to charge the Buyer for each day of providing the paid storage service. The Manufacturer will collect a fee of 100 PLN net for each calendar day started of storing one device. The Manufacturer's remuneration will be increased by VAT at the rate resulting from the applicable legal regulations.
- The Manufacturer will issue a VAT invoice covering the remuneration mentioned in the previous point after the storage service is completed, unless the paid storage service lasts longer than 30 days. In this situation, the Manufacturer will issue VAT invoices successively for every 30 calendar days of providing the paid storage service, while the last VAT invoice will cover the period that has elapsed from the issuance of the previous VAT invoice until the end of the storage service. The payment deadline of the invoice will be set for 14 days from its receipt by the customer.





REFRIGERATED DISPLAY CASES



MODENA PVP (PLUG-IN / REMOTE)

+2°C ÷ +8°C

MODENA

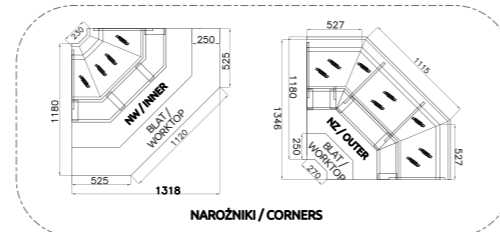
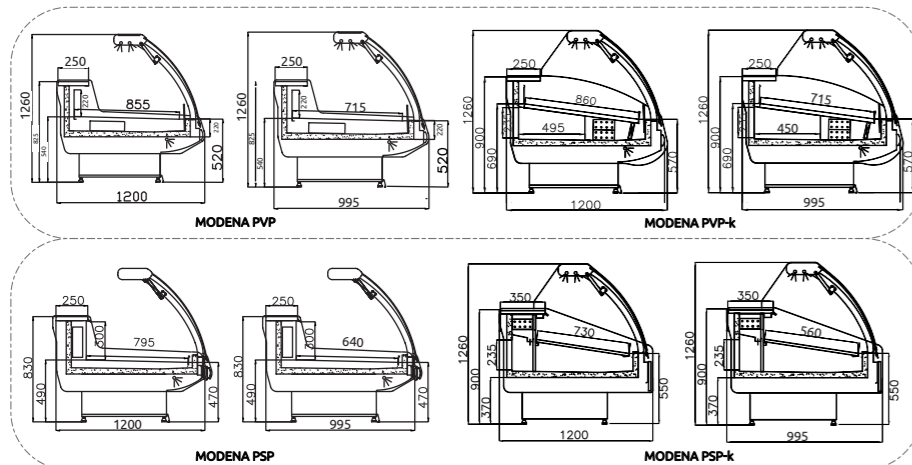
EXW BOCHNIA / EUR / VALID FROM: 01/02/24

CONTENTS



MODENA PVP-K			
PLUG-IN			
MODULE	ID FOR ORDERING	LENGTH [mm]	NET PRICE [EUR]
W-12	PVP-k	1330	2 897
W-15	PVP-k	1580	3 140
W-18	PVP-k	1870	3 982
W-20	PVP-k	2070	4 181
W-25	PVP-k	2570	4 719
W-30	PVP-k	3070	5 442
W-37	PVP-k	3840	6 258
W-13 NW	PVP-K NW	1430	4 181
W-13 NZ	PVP-(k) NZ	1430	4 181
REMOTE			
MODULE	ID FOR ORDERING	LENGTH [mm]	NET PRICE [EUR]
W-12	PVP-k B/A	1240	2 693
W-15	PVP-k B/A	1490	2 940
W-18	PVP-k B/A	1780	3 757
W-20	PVP-k B/A	1980	3 956
W-25	PVP-k B/A	2480	4 484
W-30	PVP-k B/A	2980	5 022
W-37	PVP-k B/A	3750	5 900
W-13 NW	PVP-K NW B/A	1340	3 956
W-13 NZ	PVP-(k) NZ B/A	1340	3 956
SIDE PANEL THICKNESS 50 mm			
CASH DESK			
LPK - PVP-k	1000		995
LPK - PVP-k NW/NZ	1000		995
AVAILABLE DEPTHS			
STANDARD:	AT NO EXTRA CHARGE:		
1200mm	995mm		

MODENA PSP-K			
PLUG-IN			
MODULE	ID FOR ORDERING	LENGTH [mm]	NET PRICE [EUR]
W-12	PSP-k	1330	2 783
W-15	PSP-k	1580	2 995
W-18	PSP-k	1870	3 865
W-20	PSP-k	2070	4 064
W-25	PSP-k	2570	4 607
W-30	PSP-k	3070	5 213
W-37	PSP-k	3840	5 978
W-13 NW	PSP-K NW	1430	4 064
W-13 NZ	PSP-(k) NZ	1430	4 064
REMOTE			
MODULE	ID FOR ORDERING	LENGTH [mm]	NET PRICE [EUR]
W-12	PSP-k B/A	1240	2 578
W-15	PSP-k B/A	1490	2 796
W-18	PSP-k B/A	1780	3 640
W-20	PSP-k B/A	1980	3 839
W-25	PSP-k B/A	2480	4 373
W-30	PSP-k B/A	2980	4 793
W-37	PSP-k B/A	3750	5 621
W-13 NW	PSP-K NW B/A	1340	3 839
W-13 NZ	PSP-(k) NZ B/A	1340	3 839
SIDE PANEL THICKNESS 50 mm			
CASH DESK			
LPK - PSP-k	1000		995
LPK - PSP-k NW/NZ	1000		995
AVAILABLE DEPTHS			
STANDARD:	AT NO EXTRA CHARGE:		
1200mm	995mm		



ATTENTION!	DEVICE CONFIGURATION OPTIONS:		NET PRICE [EUR]	U.M.
	NO STORAGE COMPARTMENTS			
	FREEZER VERSION [-6°C / -12°C]			
	BAIN-MARIE VERSION [+60°C / +90°C]			
DIFFERENCE IN STANDARD EQUIPMENT COMPARED TO THE BASE VARIANT	HEATING VERSION [+30°C / +60°C]		-73	LM
			Page 13.	
			Page 13.	

STANDARD EQUIPMENT FOR BASE VARIANT	PLUG-IN	REMOTE
INTERNAL REFRIGERATION UNIT	✓	✓
POWERED EXCLUSIVELY BY AN EXTERNAL UNIT	✓	✓
DEVICE ADAPTED FOR ASSEMBLING IN LINES	✓	✓
DYNAMIC (FORCED-AIR) COOLING (PVP-K) OR STATIC COOLING (PSP-K)	✓	✓
FRONT GLASS BENT LIFTED WITH THE HELP OF ACTUATORS	✓	✓
STORAGE COMPARTMENTS: MADE OF ACID-RESISTANT STAINLESS STEEL	✓	✓
DISPLAY AREA SURFACE: MADE OF ACID-RESISTANT STAINLESS STEEL	✓	✓
ALUMINIUM PROFILES - SILVER/GOLD COLOR	✓	✓
ECOLOGICAL POLYURETHANE FOAM INSULATION	✓	✓
INTERIOR LIGHTING: ENERGY-SAVING LED LIGHTING	✓	✓
WORKTOP: GRANITE	✓	✓
INTERNAL ELECTRONIC THERMOMETER	✓	✓
ELECTRONIC TEMPERATURE CONTROLLER	✓	✓
DEFROSTING: AUTOMATIC	✓	✓
CONDENSATE DRAINAGE INTO A CONDENSATE TRAY	✓	✓
EXTERNAL BODY POWDER PAINTED: RAL9007, RAL9005, RAL9003	✓	✓
SIDES MADE OF PLASTIC (THICKNESS 50 MM)	✓	✓
FRONT ELEMENTS MADE OF PAINTED SHEET METAL: RAL9007, RAL9005, RAL9003	✓	✓
FEET ALLOWING FOR LEVELING OF THE DEVICE	✓	✓
EXPANSION VALVE	✓	✓
COOLING POWER REQUIREMENT: T 0= -15°C [W/MB] AT AMBIENT TEMPERATURE OF +25°C AND RELATIVE HUMIDITY OF 60%	✓	300 W
BLOWING OF WARM AIR ON THE FRONT GLASS	✓	✓
DOUBLE ELECTRICAL SOCKET	✓	✓

OPTIONAL FEATURES	REMARKS	UM	PRICE [EUR]
SIDES MADE OF ACID-RESISTANT STAINLESS STEEL		SET	355
FRONT MADE OF ACID-RESISTANT STAINLESS STEEL		LM	80
WOODEN SIDES	COLD COLOUR CHART	SET	259
WOODEN FRONT	COLD COLOUR CHART	LM	43
NIGHT BLINDS MADE OF PLEXI GLASS		LM	44
EVAPORATOR HEATERS		LM	35
PLEXI DIVIDER		PCS	34
ADDITIONAL EXPOSITION GLASS SHELF WITH ILLUMINATION - LED LIGHT		LM	87
STAINLESS STEEL FRONT CUSTOMER SHELF		LM	90
GLASS PARTITION	FIXED	PCS	63
BATH-TYPE EXPOSITION FOR FRESH FISH (+0C TO +2C)	EXCLUDES STORAGE AND STATIC COOLING	LM	224
KNIFE HOLDER	ONLY WITHOUT STORAGE CHAMBER	PCS	61
PAPER HOLDER	ONLY WITHOUT STORAGE CHAMBER	PCS	61
FRAME FOR GN CONTAINERS	IN PLACE OF EXPOSITION SURFACE	LM	52
ELECTRICAL SOCKET 230V		PCS	25
ELECTRICAL SOCKET 230V WITH RJ45		PCS	49
WORKTOP OVERLAY FOR SCALES		PCS	44
WORKTOP: BALMORAL	THICKNESS - 20MM	LM	59
WORKTOP: BLACK GRANITE	THICKNESS - 20MM	LM	93
WORKTOP: ACID-RESISTANT STAINLESS STEEL		LM	0
WORKTOP EXTENSION BY 5CM	20MM, APPLIES TO ROSA AND BIANCO	LM	15
SHOPPING TROLLEY BUMPER	STAINLESS STEEL PROFILE - FLOOR MOUNTED	LM	61
FRONT PANEL COLOUR: RAL CHOICE	COLD COLOUR CHART	LM	29
HOUSING POWDER-COATING: RAL CHOICE	COLD COLOUR CHART	LM	44
INTERIOR POWDER-COATING: RAL CHOICE	EXPOSITION AREA, AIR INLET/OUTLET GRILLE	LM	44
EVAPORATOR POWDER-COATING	REQUIRED FOR FRESH FISH VERSION	LM	79
EXPOSITION AREA OVERLAY (STEPED)	OVERLAY TO EXPOSITION SURFACE	LM	63
EXPOSITION AREA- STEPPED - 2 STEPS		LM	67
EXPOSITION AREA- STEPPED - 3 STEPS		LM	79
ENGLISH PLUG FOR SOCKET		PCS	16
TEMPERATURE RECORDER (USB)		PCS	195
DOUBLE-SIDED MIRROR INSTEAD OF GLASS IN SIDE PANEL		PCS	52
CUTTING BOARD	OVERLAY TO WORKTOP	PCS	61
GLASS EXTENSION	DEVICE WITH HIGH GLASS	LM	76
BOTTOM HAUSING ILLUMINATED - LED		LM	38
CONDENSATE CONTAINER MADE OF ACID RESISTANT STAINLESS STEEL		PCS	22
AUTOMATIC CONDENSER VAPORIZATION (ELECTRICAL HEATER)	PLUG-IN ONLY (W25,W30,W37->2PCS)	PCS	157
GASTRO FEET (W20,W25 - 6 PCS; W37 - 8 PCS; REMAINING - 4 PCS)		PCS	14
SET OF WHEELS (CASTERS)		SET	108
WOODEN PALLET	CALCULATED TO LENGTH (NO DISCOUNT)	LM	15
WOODEN CRATE	CALCULATED TO LENGTH (NO DISCOUNT)	LM	40

STANDARD FINISH

- A - BASE
- B - FRONT PANEL (UNDER THE BUMPER)
- C - SIDES
- D - BUMPER
- E - ALUMINIUM PROFILES
- F - GRANITE COUNTERTOP

LIGHTING COLORS

COLD: OPTION

PINK: STANDARD

WARM: OPTION

FINISH OPTIONS TABLE:

A	B	C	D	E	F
RAL9005	RAL9005	D2360	GREY	GREY	C0
RAL9003	RAL9003	D375	BROWN	BROWN	C2
RAL8016	RAL8016	D381	BLACK	BLACK	RAL9005
RAL7024	RAL7024	D9103			BIANCO
RAL7047	RAL7047	D9110			BALMORAL
RAL9007	RAL9007	D2380			BLACK
RAL5005	RAL5005	D2841			INOX
RAL6029	RAL6029	D2713			
RAL3020	RAL3020	D2226			
RAL3003	RAL3003	D2609			
RAL6018	RAL6018	D1972			
RAL1019	RAL1019	D2842			
RAL2004	RAL2004	D3025			
RAL1021	RAL1021	D2610			
RAL7012	RAL7012				
RAL7014	RAL7014				
RAL1013	RAL1013				
RAL5010	RAL5010				
RAL7012	RAL7012				
RAL7035	RAL7035				
RAL7019	RAL7019				
RAL7045	RAL7045				
RAL9016	RAL9016				
RAL9011	RAL9011				

AVAILABILITY OF FINISHES NOT INCLUDED IN THE TABLE - ON REQUEST

MODENA PVU (PLUG-IN / REMOTE)

+2°C ÷ +8°C

MODENA

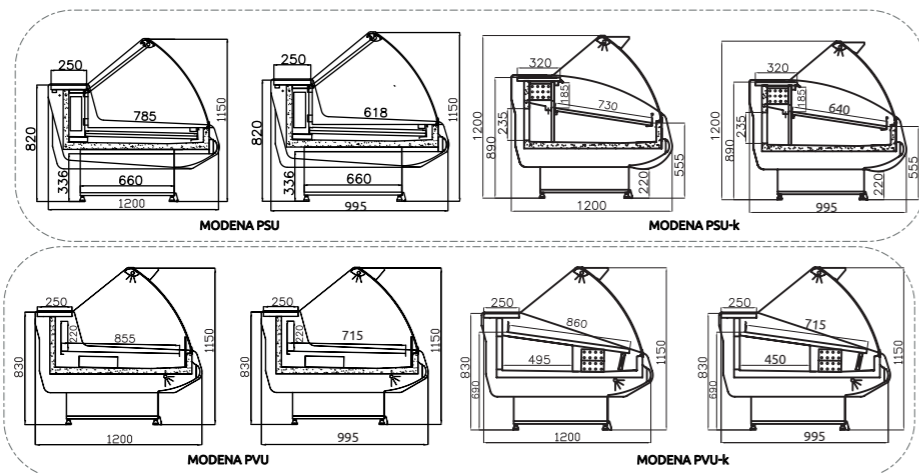
EXW BOCHNIA / EUR / VALID FROM: 01/02/24

CONTENTS



MODENA PVU-k			
PLUG-IN			
MODULE	ID FOR ORDERING	LENGTH [mm]	NET PRICE [EUR]
W-12	PVU-k	1330	2 619
W-15	PVU-k	1580	2 866
W-18	PVU-k	1870	3 215
W-20	PVU-k	2070	3 257
W-25	PVU-k	2570	3 569
W-30	PVU-k	3070	4 364
W-37	PVU-k	3840	4 636
REMOTE			
MODULE	ID FOR ORDERING	LENGTH [mm]	NET PRICE [EUR]
W-12	PVU-k B/A	1240	2 393
W-15	PVU-k B/A	1490	2 645
W-18	PVU-k B/A	1780	2 963
W-20	PVU-k B/A	1980	3 006
W-25	PVU-k B/A	2480	3 302
W-30	PVU-k B/A	2980	4 039
W-37	PVU-k B/A	3750	4 358
SIDE PANEL THICKNESS: 50 mm			
CASH DESK			
LPK - PVP-k		1000	995
LPK - PVP-k NW/NZ		1000	995
AVAILABLE DEPTHS			
STANDARD:	AT NO EXTRA CHARGE:		
1200mm	995mm		

MODENA PSU-k			
PLUG-IN			
MODULE	ID FOR ORDERING	LENGTH [mm]	NET PRICE [EUR]
W-12	PSU-k	1330	2 458
W-15	PSU-k	1580	2 693
W-18	PSU-k	1870	3 031
W-20	PSU-k	2070	3 073
W-25	PSU-k	2570	3 344
W-30	PSU-k	3070	4 302
W-37	PSU-k	3840	4 573
REMOTE			
MODULE	ID FOR ORDERING	LENGTH [mm]	NET PRICE [EUR]
W-12	PSU-k B/A	1240	2 232
W-15	PSU-k B/A	1490	2 472
W-18	PSU-k B/A	1780	2 779
W-20	PSU-k B/A	1980	2 821
W-25	PSU-k B/A	2480	3 077
W-30	PSU-k B/A	2980	3 977
W-37	PSU-k B/A	3750	4 295
SIDE PANEL THICKNESS: 50 mm			
CASH DESK			
LPK - PVP-k		1000	995
LPK - PVP-k NW/NZ		1000	995
AVAILABLE DEPTHS			
STANDARD:	AT NO EXTRA CHARGE:		
1200mm	995mm		



ATTENTION!	DEVICE CONFIGURATION OPTIONS:	NET PRICE [EUR]	U.M.
DIFFERENCE IN STANDARD EQUIPMENT COMPARED TO THE BASE VARIANT	NO STORAGE COMPARTMENTS	-73	LM
	BAIN-MARIE VERSION [+60°C / +90°C]	PAGE 13.	
	HEATING VERSION [+30°C / +60°C]	PAGE 13.	

OH18 DISPLAY AREA MADE OF ACID-RESISTANT SHEET METAL

MODULAR SYSTEM - SIMPLE ASSEMBLY OF LINES

REFRIGERANT: R290 - PLUG-IN; R452 - REMOTE

BOTTOM HINGE OPENING

STANDARD EQUIPMENT FOR BASE VARIANT	PLUG-IN	REMOTE
INTERNAL REFRIGERATION UNIT	✓	✓
POWERED EXCLUSIVELY BY AN EXTERNAL UNIT	✓	✓
DEVICE ADAPTED FOR ASSEMBLING IN LINES	✓	✓
DYNAMIC (FORCED-AIR) COOLING (PVU-K) OR STATIC COOLING (PSU-K)	✓	✓
FRONT GLASS CURVED, TILTABLE ON BOTTOM HINGE	✓	✓
STORAGE COMPARTMENTS: MADE OF ACID-RESISTANT STAINLESS STEEL	✓	✓
DISPLAY AREA SURFACE: MADE OF ACID-RESISTANT STAINLESS STEEL	✓	✓
ALUMINIUM PROFILES - SILVER/GOLD COLOR	✓	✓
ECOLOGICAL POLYURETHANE FOAM INSULATION	✓	✓
INTERIOR LIGHTING: ENERGY-SAVING LED LIGHTING	✓	✓
WORKTOP: GRANITE	✓	✓
INTERNAL ELECTRONIC THERMOMETER	✓	✓
ELECTRONIC TEMPERATURE CONTROLLER	✓	✓
DEFROSTING: AUTOMATIC	✓	✓
CONDENSATE DRAINAGE INTO A CONDENSATE TRAY	✓	✓
EXTERNAL BODY POWDER PAINTED: RAL9007, RAL9005, RAL9003	✓	✓
SIDES MADE OF PLASTIC (THICKNESS 50 MM)	✓	✓
FRONT ELEMENTS MADE OF PAINTED SHEET METAL: RAL9007, RAL9005, RAL9003	✓	✓
FEET ALLOWING FOR LEVELING OF THE DEVICE	✓	✓
EXPANSION VALVE	✓	✓
COOLING POWER REQUIREMENT: T 0 = -15°C [W/MB] AT AMBIENT TEMPERATURE OF +25°C AND RELATIVE HUMIDITY OF 60%	✓	300 W
BLOWING OF WARM AIR ON THE FRONT GLASS	✓	✓
DOUBLE ELECTRICAL SOCKET	✓	✓

OPTIONAL FEATURES	REMARKS	UM	PRICE [EUR]
SIDES MADE OF ACID-RESISTANT STAINLESS STEEL		SET	355
FRONT MADE OF ACID-RESISTANT STAINLESS STEEL		LM	80
WOODEN SIDES	COLD COLOUR CHART	SET	259
WOODEN FRONT	COLD COLOUR CHART	LM	43
NIGHT BLINDS MADE OF PLEXI GLASS		LM	44
EVAPORATOR HEATERS		LM	35
PLEXI DIVIDER		PCS	34
ADDITIONAL EXPOSITION GLASS SHELF WITH ILLUMINATION - LED LIGHT		LM	87
STAINLESS STEEL FRONT CUSTOMER SHELF		LM	90
GLASS PARTITION	FIXED	PCS	63
BATH-TYPE EXPOSITION FOR FRESH FISH (+0C TO +2C)	EXCLUDES STORAGE AND STATIC COOLING	LM	224
KNIFE HOLDER	ONLY WITHOUT STORAGE CHAMBER	PCS	61
PAPER HOLDER	ONLY WITHOUT STORAGE CHAMBER	PCS	61
FRAME FOR GN CONTAINERS	IN PLACE OF EXPOSITION SURFACE	LM	52
ELECTRICAL SOCKET 230V		PCS	25
ELECTRICAL SOCKET 230V WITH RJ45		PCS	49
WORKTOP OVERLAY FOR SCALES		PCS	44
WORKTOP: BALMORAL	THICKNESS - 20MM	LM	59
WORKTOP: BLACK GRANITE	THICKNESS - 20MM	LM	93
WORKTOP: ACID-RESISTANT STAINLESS STEEL		LM	0
WORKTOP EXTENSION BY 5CM	20MM, APPLIES TO ROSA AND BIANCO	LM	15
SHOPPING TROLLEY BUMPER	STAINLESS STEEL PROFILE - FLOOR MOUNTED	LM	61
FRONT PANEL COLOUR: RAL CHOICE	COLD COLOUR CHART	LM	29
HOUSING POWDER-COATING: RAL CHOICE	COLD COLOUR CHART	LM	44
INTERIOR POWDER-COATING: RAL CHOICE	EXPOSITION AREA, AIR INLET/OUTLET GRILLE	LM	44
EVAPORATOR POWDER-COATING	REQUIRED FOR FRESH FISH VERSION	LM	79
EXPOSITION AREA OVERLAY (STEPED)	OVERLAY TO EXPOSITION SURFACE	LM	63
EXPOSITION AREA- STEPPED - 2 STEPS		LM	67
EXPOSITION AREA- STEPPED - 3 STEPS		LM	79
ENGLISH PLUG FOR SOCKET		PCS	16
TEMPERATURE RECORDER (USB)		PCS	195
DOUBLE-SIDED MIRROR INSTEAD OF GLASS IN SIDE PANEL		PCS	52
CUTTING BOARD	OVERLAY TO WORKTOP	PCS	61
GLASS EXTENSION	DEVICE WITH HIGH GLASS	LM	76
BOTTOM HOUSING ILLUMINATED - LED		LM	38
CONDENSATE CONTAINER MADE OF ACID RESISTANT STAINLESS STEEL		PCS	22
AUTOMATIC CONDENSER VAPORIZATION (ELECTRICAL HEATER)	PLUG-IN ONLY (W25, W30, W37 -> 2PCS)	PCS	157
GASTRO FEET (W20, W25 - 6 PCS; W37 - 8 PCS; REMAINING - 4 PCS)		PCS	14
SET OF WHEELS (CASTERS)		SET	108
WOODEN PALLET	CALCULATED TO LENGTH (NO DISCOUNT)	LM	15
WOODEN CRATE	CALCULATED TO LENGTH (NO DISCOUNT)	LM	40

STANDARD FINISH

- A - BASE
- B - FRONT PANEL (UNDER THE BUMPER)
- C - SIDES
- D - BUMPER
- E - ALUMINIUM PROFILES
- F - GRANITE COUNTERTOP

LIGHTING COLORS

COLD (OPTION)

PINK (STANDARD)

WARM (OPTION)

FINISH OPTIONS TABLE:

A	B	C	D	E	F
RAL9005	RAL9005	D2360	GREY	D	BIANCO
RAL9003	RAL9003	D375	GREY BROWN	C0	ROSA
RAL8016	RAL8016	D381	BLACK	C23	BALMORAL
RAL7024	RAL7024	D9103			BLACK
RAL7047	RAL7047	D9110			INOX
RAL9007	RAL9007	D2380			
RAL5005	RAL5005	D2841			
RAL6029	RAL6029	D2713			
RAL3020	RAL3020	D2226			
RAL3003	RAL3003	D2609			
RAL6018	RAL6018	D1972			
RAL1019	RAL1019	D2842			
RAL2004	RAL2004	D3025			
RAL1021	RAL1021	D2610			
RAL7012	RAL7012				
RAL7016	RAL7016				
RAL1013	RAL1013				
RAL5010	RAL5010				
RAL7012	RAL7012				
RAL7035	RAL7035				
RAL7019	RAL7019				
RAL7043	RAL7043				
RAL9016	RAL9016				
RAL9011	RAL9011				

AVAILABILITY OF FINISHES NOT INCLUDED IN THE TABLE - ON REQUEST

MODENA PVK (PLUG-IN / REMOTE)

+2°C ÷ +8°C

MODENA

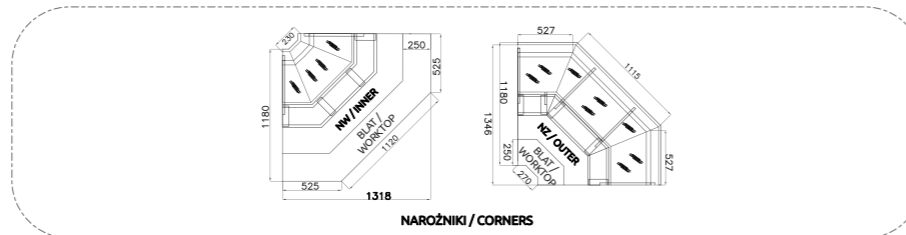
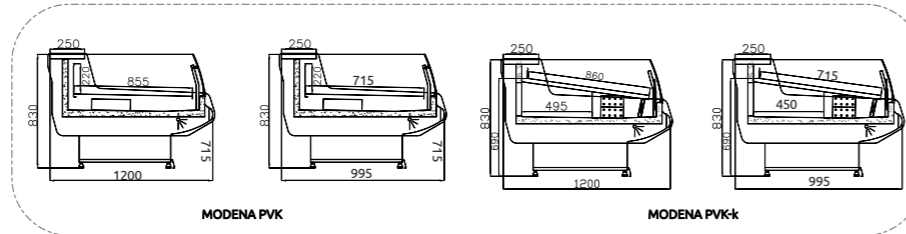
EXW BOCHNIA / EUR / VALID FROM: 01/02/24

CONTENTS



MODENA PVK-K

PLUG-IN			
MODULE	ID FOR ORDERING	LENGTH [mm]	NET PRICE [EUR]
W-12	PVK-K	1330	2 553
W-15	PVK-K	1580	2 792
W-18	PVK-K	1870	3 127
W-20	PVK-K	2070	3 161
W-25	PVK-K	2570	3 458
W-30	PVK-K	3070	4 238
W-37	PVK-K	3830	4 477
W-13 NW	PVK-K NW	1430	3 161
W-13 NZ	PVK-(K) NZ	1430	3 161
REMOTE			
MODULE	ID FOR ORDERING	LENGTH [mm]	NET PRICE [EUR]
W-12	PVK-K B/A	1240	2 327
W-15	PVK-K B/A	1490	2 571
W-18	PVK-K B/A	1780	2 874
W-20	PVK-K B/A	1980	2 909
W-25	PVK-K B/A	2480	3 191
W-30	PVK-K B/A	2980	3 913
W-37	PVK-K B/A	3750	4 200
W-13 NW	PVK-K NW B/A	1340	2 909
W-13 NZ	PVK-(K) NZ B/A	1340	2 909
SIDE PANEL THICKNESS: 50 mm			
CASH DESK			
LPK - PVP-k		1000	995
LPK - PVP-k NW/NZ		1000	995
AVAILABLE DEPTHS			
STANDARD:	AT NO EXTRA CHARGE:		
1200mm	995mm		

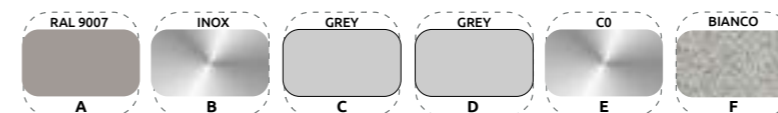
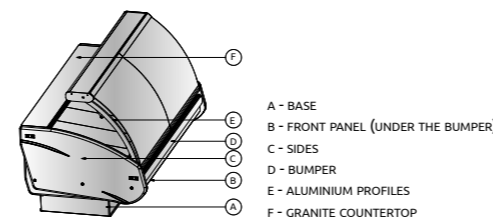


STANDARD EQUIPMENT FOR BASE VARIANT	PLUG-IN	REMOTE
INTERNAL REFRIGERATION UNIT	✓	✓
POWERED EXCLUSIVELY BY AN EXTERNAL UNIT	✓	✓
DEVICE ADAPTED FOR ASSEMBLING IN LINES	✓	✓
DYNAMIC COOLING (FORCED-AIR)	✓	✓
LOW FRONTAL GLASS	✓	✓
STORAGE COMPARTMENTS: MADE OF ACID-RESISTANT STAINLESS STEEL	✓	✓
DISPLAY AREA SURFACE: MADE OF ACID-RESISTANT STAINLESS STEEL	✓	✓
ALUMINIUM PROFILES - SILVER/GOLD COLOR	✓	✓
ECOLOGICAL POLYURETHANE FOAM INSULATION	✓	✓
INTERIOR LIGHTING: ENERGY-SAVING LED LIGHTING	✓	✓
WORKTOP: GRANITE	✓	✓
INTERNAL ELECTRONIC THERMOMETER	✓	✓
ELECTRONIC TEMPERATURE CONTROLLER	✓	✓
DEFROSTING: AUTOMATIC	✓	✓
CONDENSATE DRAINAGE INTO A CONDENSATE TRAY	✓	✓
EXTERNAL BODY POWDER PAINTED: RAL9007, RAL9005, RAL9003	✓	✓
SIDES MADE OF PLASTIC (THICKNESS 50 MM)	✓	✓
FRONT ELEMENTS MADE OF PAINTED SHEET METAL: RAL9007, RAL9005, RAL9003	✓	✓
FEET ALLOWING FOR LEVELING OF THE DEVICE	✓	✓
EXPANSION VALVE	✓	✓
COOLING POWER REQUIREMENT: T ₀ = -15°C [W/MB] AT AMBIENT TEMPERATURE OF +25°C AND RELATIVE HUMIDITY OF 60%	✓	300 W
BLOWING OF WARM AIR ON THE FRONT GLASS	✓	✓
DOUBLE ELECTRICAL SOCKET	✓	✓

OPTIONAL EQUIPMENT	REMARKS	UM	PRICE [EUR]
SIDES MADE OF ACID-RESISTANT STAINLESS STEEL		SET	355
FRONT MADE OF ACID-RESISTANT STAINLESS STEEL		LM	80
WOODEN SIDES	COLD COLOUR CHART	SET	259
WOODEN FRONT	COLD COLOUR CHART	LM	43
NIGHT BLINDS MADE OF PLEXI GLASS		LM	44
EVAPORATOR HEATERS		LM	35
PLEXI DIVIDER		PCS	34
ADDITIONAL EXPOSITION GLASS SHELF WITH ILLUMINATION - LED LIGHT		LM	87
STAINLESS STEEL FRONT CUSTOMER SHELF		LM	90
GLASS PARTITION	FIXED	PCS	63
BATH-TYPE EXPOSITION FOR FRESH FISH (+0C TO +2C)	EXCLUDES STORAGE AND STATIC COOLING	LM	224
KNIFE HOLDER	ONLY WITHOUT STORAGE CHAMBER	PCS	61
PAPER HOLDER	ONLY WITHOUT STORAGE CHAMBER	PCS	61
FRAME FOR GN CONTAINERS	IN PLACE OF EXPOSITION SURFACE	LM	52
ELECTRICAL SOCKET 230V		PCS	25
ELECTRICAL SOCKET 230V WITH RJ45		PCS	49
WORKTOP OVERLAY FOR SCALES		PCS	44
WORKTOP: BALMORAL	THICKNESS - 20MM	LM	59
WORKTOP: BLACK GRANITE	THICKNESS - 20MM	LM	93
WORKTOP: ACID-RESISTANT STAINLESS STEEL		LM	0
WORKTOP EXTENSION BY 5CM	20MM, APPLIES TO ROSA AND BIANCO	LM	15
SHOPPING TROLLEY BUMPER	STAINLESS STEEL PROFILE - FLOOR MOUNTED	LM	61
FRONT PANEL COLOUR: RAL CHOICE	COLD COLOUR CHART	LM	29
HOUSING POWDER-COATING: RAL CHOICE	COLD COLOUR CHART	LM	44
INTERIOR POWDER-COATING: RAL CHOICE	EXPOSITION AREA, AIR INLET/OUTLET GRILLE	LM	44
EVAPORATOR POWDER-COATING	REQUIRED FOR FRESH FISH VERSION	LM	79
EXPOSITION AREA OVERLAY (STEPPED)	OVERLAY TO EXPOSITION SURFACE	LM	63
EXPOSITION AREA- STEPPED - 2 STEPS		LM	67
EXPOSITION AREA- STEPPED - 3 STEPS		LM	79
ENGLISH PLUG FOR SOCKET		PCS	16
TEMPERATURE RECORDER (USB)		PCS	195
DOUBLE-SIDED MIRROR INSTEAD OF GLASS IN SIDE PANEL		PCS	52
CUTTING BOARD	OVERLAY TO WORKTOP	PCS	61
GLASS EXTENSION	DEVICE WITH HIGH GLASS	LM	76
BOTTOM HOUSING ILLUMINATED - LED		LM	38
CONDENSATE CONTAINER MADE OF ACID RESISTANT STAINLESS STEEL		PCS	22
AUTOMATIC CONDENSER VAPORIZATION (ELECTRICAL HEATER)	PLUG-IN ONLY (W25,W30,W37->2PCS)	PCS	157
GASTRO FEET (W20,W25 - 6 PCS; W37 - 8 PCS; REMAINING - 4 PCS)		PCS	14
SET OF WHEELS (CASTERS)		SET	108
WOODEN PALLET	CALCULATED TO LENGTH (NO DISCOUNT)	LM	15
WOODEN CRATE	CALCULATED TO LENGTH (NO DISCOUNT)	LM	40

ATTENTION!	DEVICE CONFIGURATION OPTIONS:	NET PRICE [EUR]	U.M.
DIFFERENCE IN STANDARD EQUIPMENT COMPARED TO THE BASE VARIANT	NO STORAGE COMPARTMENTS	-73	MB

STANDARD FINISH



FINISH OPTIONS TABLE:

A	B	C	D	E	F
RAL9005	RAL9005	D2360	GREY	D	BIANCO
RAL9003	RAL9003	D375	BROWN	C0	ROSA
RAL8016	RAL8016	D381	BLACK	C23	BALMORAL
RAL7024	RAL7024	D9103		RAL9005	BLACK
RAL7047	RAL7047	D9110			INOX
RAL9007	RAL9007	D2380			
RAL5005	RAL5005	D2841			
RAL6029	RAL6029	D2713			
RAL3020	RAL3020	D2226			
RAL3003	RAL3003	D2609			
RAL6018	RAL6018	D1972			
RAL1019	RAL1019	D2842			
RAL2004	RAL2004	D3025			
RAL1021	RAL1021	D2610			
RAL7012	RAL7012				
RAL7016	RAL7016				
RAL1013	RAL1013				
RAL5010	RAL5010				
RAL7012	RAL7012				
RAL7035	RAL7035				
RAL7019	RAL7019				
RAL7045	RAL7045				
RAL9016	RAL9016				
RAL9011	RAL9011				

AVAILABILITY OF FINISHES NOT INCLUDED IN THE TABLE - ON REQUEST

OH18 DISPLAY AREA MADE OF ACID-RESISTANT SHEET METAL

MODULAR SYSTEM - SIMPLE ASSEMBLY OF LINES

REFRIGERANT: R290 - PLUG-IN ; R452 - REMOTE

MODENA PVP MR NT (-6°C + -12°C)

PLUG-IN			
MODULE	ID FOR ORDERING	LENGTH [mm]	NET PRICE [EUR]
W-12	PVP MR NT	1330	3 505
W-15	PVP MR NT	1580	3 802
W-18	PVP MR NT	1870	4 275
W-20	PVP MR NT	2070	4 349
REMOTE			
W-12	PVP MR NT B/A	1240	3 374
W-15	PVP MR NT B/A	1490	3 672
W-18	PVP MR NT B/A	1780	4 033
W-20	PVP MR NT B/A	1980	4 107



MODENA BAIN-MARIE (+60°C + +90°C)

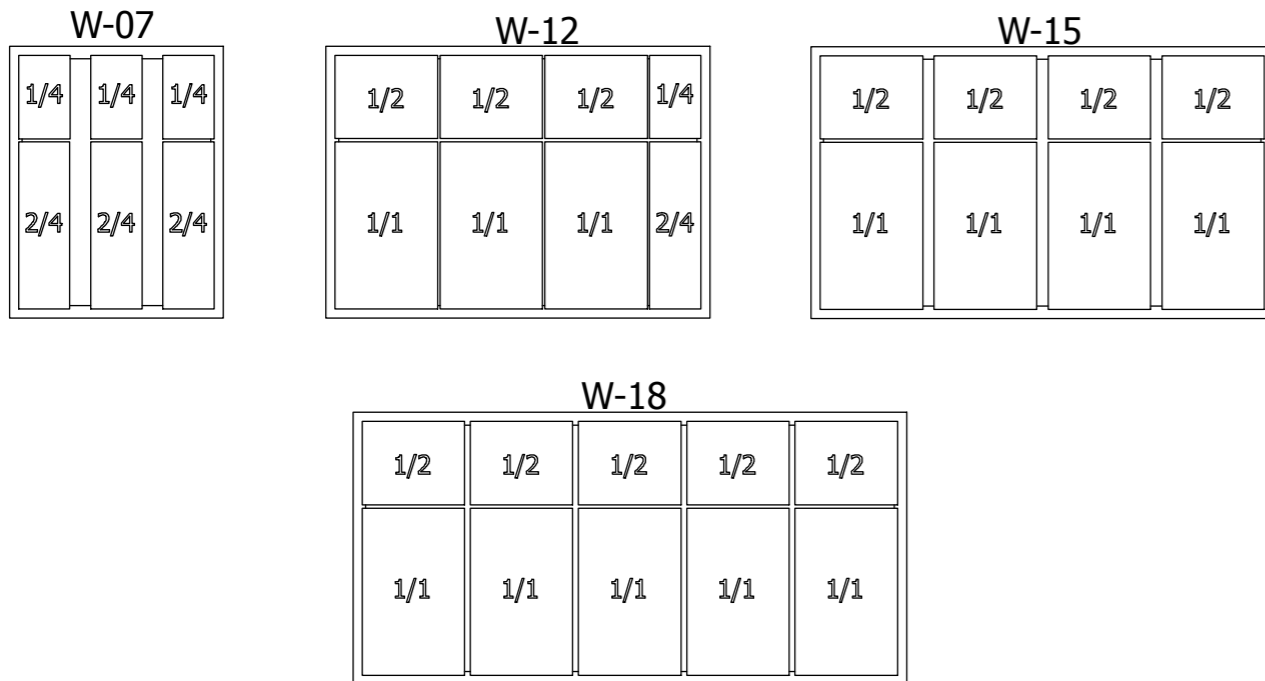
PLUG-IN			
MODULE	ID FOR ORDERING	LENGTH [mm]	NET PRICE [EUR]
W-12	PVP BAIN-MARIE	1330	2 965
W-15	PVP BAIN-MARIE	1580	3 165
W-18	PVP BAIN-MARIE	1870	3 558



MODENA HEATED (+30°C + +60°C)

PLUG-IN			
MODULE	ID FOR ORDERING	LENGTH [mm]	NET PRICE [EUR]
W-07	PVP HEATED	1330	2 448
W-12	PVP HEATED	1330	2 568
W-15	PVP HEATED	1580	2 620
W-18	PVP HEATED	1870	3 012

EXAMPLE ARRANGEMENT OF OPTIONAL GASTRONOMIC CONTAINERS



STANDARD EQUIPMENT FOR BASE VARIANT

FRONT GLASS BENT LIFTED WITH THE HELP OF ACTUATORS
 STORAGE COMPARTMENTS: MADE OF ACID-RESISTANT STAINLESS STEEL
 DISPLAY AREA SURFACE: MADE OF ACID-RESISTANT STAINLESS STEEL
 ALUMINIUM PROFILES - SILVER/GOLD COLOR
 ECOLOGICAL POLYURETHANE FOAM INSULATION
 INTERIOR LIGHTING: ENERGY-SAVING LED LIGHTING
 WORKTOP: GRANITE
 INTERNAL ELECTRONIC THERMOMETER
 ELECTRONIC TEMPERATURE CONTROLLER
 EXTERNAL BODY POWDER PAINTED: RAL9007, RAL9005, RAL9003
 SIDES MADE OF PLASTIC (THICKNESS 50 MM)
 FRONT ELEMENTS MADE OF PAINTED SHEET METAL- RAL9007, RAL9005, RAL9003
 FEET ALLOWING FOR LEVELING OF THE DEVICE
 BLOWING OF WARM AIR ON THE FRONT GLASS
 DOUBLE ELECTRICAL SOCKET

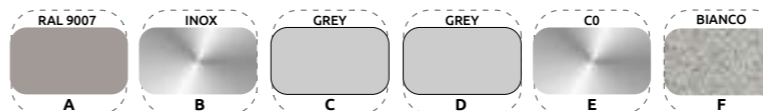
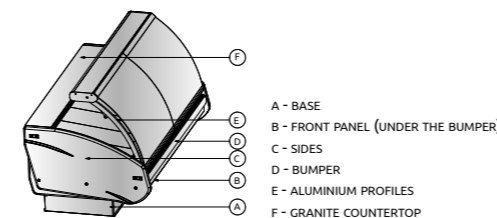
PLUG-IN REMOTE

	✓	✓
FRONT GLASS BENT LIFTED WITH THE HELP OF ACTUATORS	✓	✓
STORAGE COMPARTMENTS: MADE OF ACID-RESISTANT STAINLESS STEEL	✓	✓
DISPLAY AREA SURFACE: MADE OF ACID-RESISTANT STAINLESS STEEL	✓	✓
ALUMINIUM PROFILES - SILVER/GOLD COLOR	✓	✓
ECOLOGICAL POLYURETHANE FOAM INSULATION	✓	✓
INTERIOR LIGHTING: ENERGY-SAVING LED LIGHTING	✓	✓
WORKTOP: GRANITE	✓	✓
INTERNAL ELECTRONIC THERMOMETER	✓	✓
ELECTRONIC TEMPERATURE CONTROLLER	✓	✓
EXTERNAL BODY POWDER PAINTED: RAL9007, RAL9005, RAL9003	✓	✓
SIDES MADE OF PLASTIC (THICKNESS 50 MM)	✓	✓
FRONT ELEMENTS MADE OF PAINTED SHEET METAL- RAL9007, RAL9005, RAL9003	✓	✓
FEET ALLOWING FOR LEVELING OF THE DEVICE	✓	✓
BLOWING OF WARM AIR ON THE FRONT GLASS	✓	✓
DOUBLE ELECTRICAL SOCKET	✓	✓

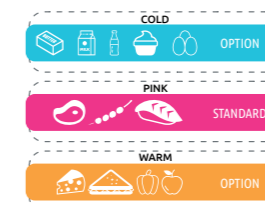
OPTIONAL EQUIPMENT

	REMARKS	UM	PRICE [EUR]
SIDES MADE OF ACID-RESISTANT STAINLESS STEEL		SET	355
FRONT MADE OF ACID-RESISTANT STAINLESS STEEL		LM	80
WOODEN SIDES	COLD COLOUR CHART	SET	259
WOODEN FRONT		LM	43
NIGHT BLINDS MADE OF PLEXI GLASS		LM	44
EVAPORATOR HEATERS		LM	35
PLEXI DIVIDER		PCS	34
ADDITIONAL EXPOSITION GLASS SHELF WITH ILLUMINATION - LED LIGHT		LM	87
STAINLESS STEEL FRONT CUSTOMER SHELF		LM	90
GLASS PARTITION	FIXED	PCS	63
BATH-TYPE EXPOSITION FOR FRESH FISH (+0C TO +2C)	EXCLUDES STORAGE AND STATIC COOLING	LM	224
KNIFE HOLDER	ONLY WITHOUT STORAGE CHAMBER	PCS	61
PAPER HOLDER	ONLY WITHOUT STORAGE CHAMBER	PCS	61
FRAME FOR GN CONTAINERS	IN PLACE OF EXPOSITION SURFACE	LM	52
ELECTRICAL SOCKET 230V		PCS	25
ELECTRICAL SOCKET 230V WITH RJ45		PCS	49
WORKTOP OVERLAY FOR SCALES		PCS	44
WORKTOP: BALMORAL	THICKNESS - 20MM	LM	59
WORKTOP: BLACK GRANITE	THICKNESS - 20MM	LM	93
WORKTOP: ACID-RESISTANT STAINLESS STEEL		LM	0
WORKTOP EXTENSION BY 5CM	20MM, APPLIES TO ROSA AND BIANCO	LM	15
SHOPPING TROLLEY BUMPER	STAINLESS STEEL PROFILE - FLOOR MOUNTED	LM	61
FRONT PANEL COLOUR: RAL CHOICE	COLD COLOUR CHART	LM	29
HOUSING POWDER-COATING: RAL CHOICE	COLD COLOUR CHART	LM	44
INTERIOR POWDER-COATING: RAL CHOICE	EXPOSITION AREA, AIR INLET/OUTLET GRILLE	LM	44
EVAPORATOR POWDER-COATING	REQUIRED FOR FRESH FISH VERSION	LM	79
EXPOSITION AREA OVERLAY (STEPPED)	OVERLAY TO EXPOSITION SURFACE	LM	63
EXPOSITION AREA- STEPPED - 2 STEPS		LM	67
EXPOSITION AREA- STEPPED - 3 STEPS		LM	79
ENGLISH PLUG FOR SOCKET		PCS	16
TEMPERATURE RECORDER (USB)		PCS	195
DOUBLE-SIDED MIRROR INSTEAD OF GLASS IN SIDE PANEL		PCS	52
CUTTING BOARD	OVERLAY TO WORKTOP	PCS	61
GLASS EXTENSION	DEVICE WITH HIGH GLASS	LM	76
BOTTOM HAUSING ILLUMINATED - LED		LM	38
CONDENSATE CONTAINER MADE OF ACID RESISTANT STAINLESS STEEL		PCS	22
AUTOMATIC CONDENSER VAPORIZATION (ELECTRICAL HEATER)	PLUG-IN ONLY (W25,W30,W37->2PCS)	PCS	157
GASTRO FEET (W20,W25 - 6 PCS; W37 - 8 PCS; REMAINING - 4 PCS)		PCS	14
SET OF WHEELS (CASTERS)		SET	108
WOODEN PALLET	CALCULATED TO LENGTH (NO DISCOUNT)	LM	15
WOODEN CRATE	CALCULATED TO LENGTH (NO DISCOUNT)	LM	40

STANDARD FINISH



LIGHTING COLORS



FINISH OPTIONS TABLE:

A	B	C	D	E	F
RAL9005	RAL9005	D2360	GREY	GREY	C0
RAL9003	RAL9003	D375	BROWN	BROWN	C23
RAL8016	RAL8016	D381	BLACK	BLACK	RAL9005
RAL7024	RAL7024	D9103			BIANCO
RAL7047	RAL7047	D9110			BALMORAL
RAL9007	RAL9007	D2380			BLACK
RAL5005	RAL5005	D2841			INOX
RAL6029	RAL6029	D2713			
RAL3020	RAL3020	D2226			
RAL3003	RAL3003	D2609			
RAL6018	RAL6018	D1972			
RAL1019	RAL1019	D2842			
RAL2004	RAL2004	D3025			
RAL1021	RAL1021	D2610			
RAL7012	RAL7012				
RAL7014	RAL7014				
RAL1013	RAL1013				
RAL5010	RAL5010				
RAL7012	RAL7012				
RAL7035	RAL7035				
RAL7019	RAL7019				
RAL7043	RAL7043				
RAL9014	RAL9014				
RAL9011	RAL9011				

AVAILABILITY OF FINISHES NOT INCLUDED IN THE TABLE - ON REQUEST

VERONA PP-K-V (PLUG-IN / REMOTE)

+2°C ÷ +8°C

VERONA

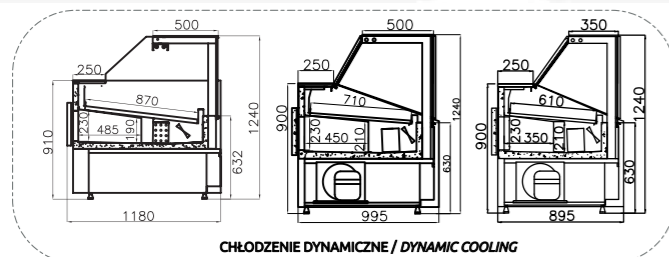
EXW BOCHNIA / EUR / VALID FROM: 01/02/24

CONTENTS

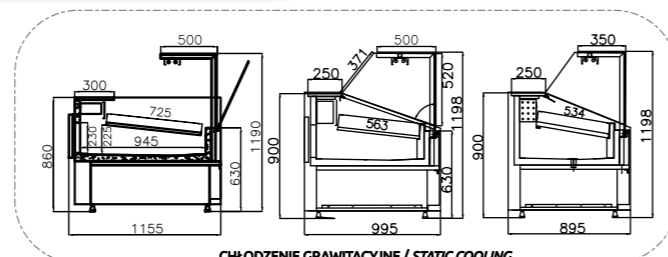


VERONA PP-k-v			
PLUG-IN			
MODULE	ID FOR ORDERING	LENGTH [mm]	NET PRICE [EUR]
W-12	PP-k-v	1330	2 997
W-15	PP-k-v	1580	3 244
W-18	PP-k-v	1870	3 674
W-20	PP-k-v	2070	3 854
W-25	PP-k-v	2570	4 345
W-30	PP-k-v	3070	5 074
W-37	PP-k-v	3840	5 820
W-13 NW	PP-k-v NW	1430	3 854
W-13 NZ	PP-(k)-vNZ	1430	3 854
REMOTE			
MODULE	ID FOR ORDERING	LENGTH [mm]	NET PRICE [EUR]
W-12	PP-k-v B/A	1240	2 779
W-15	PP-k-v B/A	1490	3 031
W-18	PP-k-v B/A	1780	3 433
W-20	PP-k-v B/A	1980	3 614
W-25	PP-k-v B/A	2480	4 089
W-30	PP-k-v B/A	2980	4 613
W-37	PP-k-v B/A	3750	5 443
W-13 NW	PP-k-v NW B/A	1340	3 614
W-13 NZ	PP-(k)-v NZ B/A	1340	3 614
SIDE PANEL THICKNESS 45 mm			
CASH DESK			
LPK - PP-k-v	1000		995
LPK - PP-k-v NW/NZ	1000		995
AVAILABLE DEPTHS			
STANDARD	AT NO EXTRA CHARGE:		
1180mm	995mm	895mm	

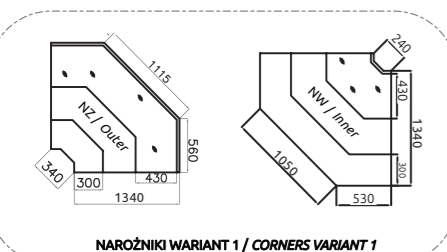
VERONA PP-k			
PLUG-IN			
MODULE	ID FOR ORDERING	LENGTH [mm]	NET PRICE [EUR]
W-12	PP-k	1330	2 837
W-15	PP-k	1580	3 072
W-18	PP-k	1870	3 490
W-20	PP-k	2070	3 670
W-25	PP-k	2570	4 120
W-30	PP-k	3070	4 832
W-37	PP-k	3840	5 418
W-13 NW	PP-k NW	1430	3 670
W-13 NZ	PP-(k) NZ	1430	3 670
SIDE PANEL THICKNESS 45 mm			
CASH DESK			
LPK - PP-k-v	1000		995
LPK - PP-k-v NW/NZ	1000		995
AVAILABLE DEPTHS			
STANDARD	AT NO EXTRA CHARGE:		
1180mm	995mm	895mm	



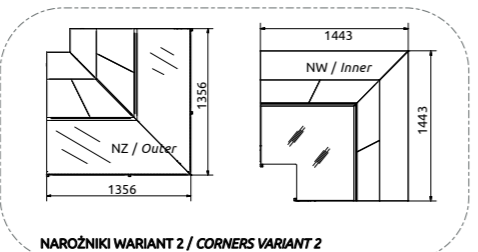
CHŁODZENIE DYNAMICZNE / DYNAMIC COOLING



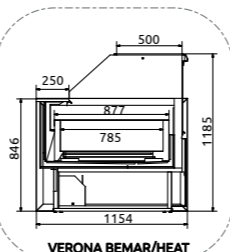
CHŁODZENIE GRAWITACYJNE / STATIC COOLING



NAROŻNIKI WARIANT 1 / CORNERS VARIANT 1



NAROŻNIKI WARIANT 2 / CORNERS VARIANT 2



VERONA BEMAR/HEAT

ATTENTION!	DEVICE CONFIGURATION OPTIONS:	NET PRICE [EUR]	UM
DIFFERENCE IN STANDARD EQUIPMENT COMPARED TO THE BASE VARIANT	NO STORAGE COMPARTMENTS	-73	LM
	FREEZER VERSION [-6°C / -12°C]	Page 25.	
	BAIN-MARIE VERSION [+60°C / +90°C]	Page 25.	
	HEATING VERSION [+30°C / +60°C]	Page 25.	

OH18 DISPLAY AREA MADE OF ACID-RESISTANT SHEET METAL

MODULAR SYSTEM - SIMPLE ASSEMBLY OF LINES

REFRIGERANT: R290 - PLUG-IN ; R452 - REMOTE

LIFT-UP FRONT GLASS

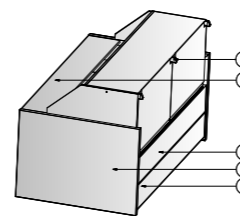
STANDARD EQUIPMENT FOR BASE VARIANT

	PLUG-IN	REMOTE
INTERNAL COOLING AGGREGATE	✓	✓
POWERED ONLY BY EXTERNAL AGGREGATE	✓	✓
DEVICE PREPARED FOR MULTIPLEXING	✓	✓
DYNAMIC (FORCED-AIR) COOLING (PP-K-V) OR STATIC COOLING (PP-K)	✓	✓
STRAIGHT FRONT GLASS, TELESCOPIC LIFTING SYSTEM	✓	✓
STORAGE CHAMBERS: MADE OF ACID-RESISTANT STAINLESS STEEL SHEET	✓	✓
DISPLAY AREA MADE OF ACID-RESISTANT STAINLESS STEEL SHEET	✓	✓
ALUMINUM PROFILES - SILVER/GOLD COLOUR	✓	✓
ECOLOGICAL POLYURETHANE FOAM INSULATION	✓	✓
INTERIOR LIGHTING: ENERGY-SAVING LED LIGHTING	✓	✓
WORKTOP: GRANITE (BIANCO/ROSA PORRINO)	✓	✓
ELECTRONIC INTERNAL THERMOMETER	✓	✓
ELECTRONIC TEMPERATURE CONTROLLER	✓	✓
DEFROSTING: AUTOMATIC	✓	✓
CONDENSATE DRAIN TO THE CONDENSATE CONTAINER	✓	✓
EXTERNAL CASE POWDER-COATED: RAL 9007, 9005, 9003	✓	✓
INSULATED SIDES MADE OF POWDER COATED STEEL SHEET (THICKNESS 45 MM)	✓	✓
FRONT ELEMENTS MADE OF POWDER-COATED STEEL SHEET: RAL 9007, 9005, 9003	✓	✓
FEET FOR LEVELING THE DEVICE	✓	✓
EXPANSION VALVE	✓	✓
COOLING CAPACITY REQUIREMENTS AT T0 = -15 °C [W/M6] AT AN AMBIENT TEMPERATURE OF +25 °C AND HUMIDITY OF 60%	✓	500 W
WARM AIRFLOW ON THE FRONTAL GLASS	✓	✓
DOUBLE ELECTRICAL SOCKET	✓	✓

OPTIONAL EQUIPMENT

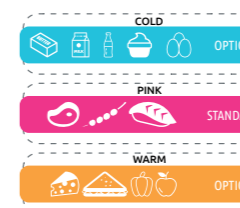
	REMARKS	UM	PRICE [EUR]
SIDES MADE OF ACID-RESISTANT STAINLESS STEEL		SET	355
FRONT MADE OF ACID-RESISTANT STAINLESS STEEL		LM	80
WOODEN SIDES	COLD COLOUR CHART	SET	259
WOODEN FRONT	COLD COLOUR CHART	LM	43
NIGHT BLINDS MADE OF PLEXI GLASS		LM	44
EVAPORATOR HEATERS		LM	35
PLEXI DIVIDER		PCS	34
ADDITIONAL EXPOSITION GLASS SHELF WITH ILLUMINATION - LED LIGHT		LM	87
STAINLESS STEEL FRONT CUSTOMER SHELF		LM	90
GLASS PARTITION	FIXED	PCS	63
BATH-TYPE EXPOSITION FOR FRESH FISH (+0°C TO +2°C)	EXCLUDES STORAGE AND STATIC COOLING	LM	224
KNIFE HOLDER	ONLY WITHOUT STORAGE CHAMBER	PCS	61
PAPER HOLDER	ONLY WITHOUT STORAGE CHAMBER	PCS	61
FRAME FOR GN CONTAINERS	IN PLACE OF EXPOSITION SURFACE	LM	52
ELECTRICAL SOCKET 230V		PCS	25
ELECTRICAL SOCKET 230V WITH RJ45		PCS	49
WORKTOP OVERLAY FOR SCALES		PCS	44
WORKTOP: BALMORAL	THICKNESS - 20MM	LM	59
WORKTOP: BLACK GRANITE	THICKNESS - 20MM	LM	93
WORKTOP: ACID-RESISTANT STAINLESS STEEL		LM	0
WORKTOP EXTENSION BY SCM	20MM, APPLIES TO ROSA AND BIANCO	LM	15
SHOPPING TROLLEY BUMPER	STAINLESS STEEL PROFILE - FLOOR MOUNTED	LM	61
FRONT PANEL COLOUR: RAL CHOICE	COLD COLOUR CHART	LM	29
HOUSING POWDER-COATING: RAL CHOICE	COLD COLOUR CHART	LM	44
INTERIOR POWDER-COATING: RAL CHOICE	EXPOSITION AREA, AIR INLET/OUTLET GRILLE	LM	44
EVAPORATOR POWDER-COATING	REQUIRED FOR FRESH FISH VERSION	LM	79
EXPOSITION AREA OVERLAY (STEPED)	OVERLAY TO EXPOSITION SURFACE	LM	63
EXPOSITION AREA - STEPPED - 2 STEPS		LM	67
EXPOSITION AREA - STEPPED - 3 STEPS		LM	79
ENGLISH PLUG FOR SOCKET		PCS	16
TEMPERATURE RECORDER (USB)		PCS	195
DOUBLE-SIDED MIRROR INSTEAD OF GLASS IN SIDE PANEL		PCS	52
CUTTING BOARD	OVERLAY TO WORKTOP	PCS	61
GLASS EXTENSION	DEVICE WITH HIGH GLASS	LM	76
BOTTOM HAUSING ILLUMINATED - LED		LM	38
CONDENSATE CONTAINER MADE OF ACID RESISTANT STAINLESS STEEL		PCS	22
AUTOMATIC CONDENSER VAPORIZATION (ELECTRICAL HEATER)	PLUG-IN ONLY (W25,W30,W37->2PCS)	PCS	157
GASTRO FEET (W20,W25 - 6 PCS; W37 - 8 PCS; REMAINING - 4 PCS)		PCS	14
SET OF WHEELS (CASTERS)		SET	108
WOODEN PALLET	CALCULATED TO LENGTH (NO DISCOUNT)	LM	15
WOODEN CRATE	CALCULATED TO LENGTH (NO DISCOUNT)	LM	40

STANDARD FINISH



- A - FRONT PANEL - BOTTOM
- B - SIDE PANEL
- C - FRONT PANEL - UPPER
- D - GRANITE COUNTERTOP
- E - ALUMINIUM PROFILES

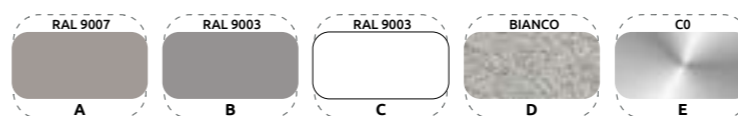
LIGHTING COLORS



FINISH OPTIONS TABLE:

	A	B	C	D	E
RAL9005	D2360	RAL9005	D2360	RAL9005	D2360
RAL9003	D375	RAL9003	D375	RAL9003	D375
RAL9016	D381	RAL9016	D381	RAL9016	D381
RAL7024	D9103	RAL7024	D9103	RAL7024	D9103
RAL7047	D9310	RAL7047	D9310	RAL7047	D9310
RAL9007	D2380	RAL9007	D2380	RAL9007	D2380
RAL5005	D2841	RAL5005	D2841	RAL5005	D2841
RAL6029	D2713	RAL6029	D2713	RAL6029	D2713
RAL3020	D2226	RAL3020	D2226	RAL3020	D2226
RAL3003	D2609	RAL3003	D2609	RAL3003	D2609
RAL6018	D1972	RAL6018	D1972	RAL6018	D1972
RAL1019	D2842	RAL1019	D2842	RAL1019	D2842
RAL2004	D3025	RAL2004	D3025	RAL2004	D3025
RAL1021	D3610	RAL1021	D3610	RAL1021	D3610
RAL7012	INOX	RAL7012	INOX	RAL7012	INOX
RAL7016	RAL7016	RAL7016	RAL7016	RAL7016	RAL7016
RAL1013	RAL1013	RAL1013	RAL1013	RAL1013	RAL1013
RAL5010	RAL5010	RAL5010	RAL5010	RAL5010	RAL5010
RAL7012	RAL7012	RAL7012	RAL7012	RAL7012	RAL7012
RAL7035	RAL7035	RAL7035	RAL7035	RAL7035	RAL7035
RAL7019	RAL7019	RAL7019	RAL7019	RAL7019	RAL7019
RAL7043	RAL7043	RAL7043	RAL7043	RAL7043	RAL7043
RAL9016	RAL9016	RAL9016	RAL9016	RAL9016	RAL9016
RAL9011	RAL9011	RAL9011	RAL9011	RAL9011	RAL9011

AVAILABILITY OF FINISHES NOT INCLUDED IN THE TABLE - ON REQUEST



VERONA PS-K-V (PLUG-IN / REMOTE)

+2°C ÷ +8°C

VERONA

EXW BOCHNIA / EUR / VALID FROM: 01/02/24

CONTENTS



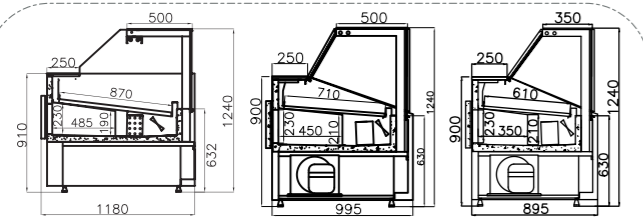
VERONA PS-k-v

PLUG-IN			
MODULE	ID FOR ORDERING	LENGTH [mm]	NET PRICE [EUR]
W-12	PS-k-v	1330	2 619
W-15	PS-k-v	1580	2 866
W-18	PS-k-v	1870	3 052
W-20	PS-k-v	2070	3 094
W-25	PS-k-v	2570	3 568
W-30	PS-k-v	3070	4 284
W-37	PS-k-v	3840	4 868
W-13 NW	PS-k-v NW	1430	3 164
W-13 NZ	PS-(k)-vNZ	1430	3 164
REMOTE			
MODULE	ID FOR ORDERING	LENGTH [mm]	NET PRICE [EUR]
W-12	PS-k-v B/A	1240	2 393
W-15	PS-k-v B/A	1490	2 645
W-18	PS-k-v B/A	1780	2 821
W-20	PS-k-v B/A	1980	2 842
W-25	PS-k-v B/A	2480	3 302
W-30	PS-k-v B/A	2980	3 959
W-37	PS-k-v B/A	3750	4 590
W-13 NW	PS-k-v NW B/A	1340	2 917
W-13 NZ	PS-(k)-v NZ B/A	1340	2 917
SIDE PANEL THICKNESS 45 mm			
CASH DESK			
LPK - PP-k-v	1000		995
LPK - PP-k-v NW/NZ	1000		995
AVAILABLE DEPTHS:			
STANDARD	AT NO EXTRA CHARGE:		
1180mm	995mm	895mm	

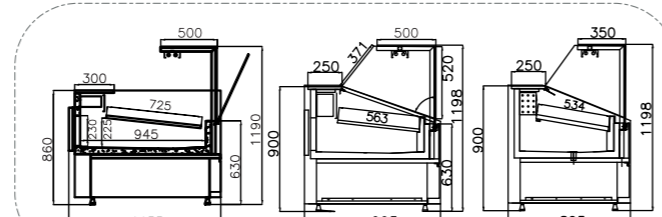


VERONA PS-k

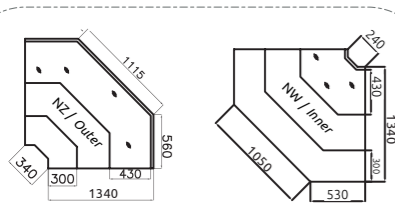
PLUG-IN			
MODULE	ID FOR ORDERING	LENGTH [mm]	NET PRICE [EUR]
W-12	PS-k	1330	2 458
W-15	PS-k	1580	2 693
W-18	PS-k	1870	2 942
W-20	PS-k	2070	2 983
W-25	PS-k	2570	3 343
W-30	PS-k	3070	4 222
W-37	PS-k	3840	4 805
W-13 NW	PS-k NW	1430	2 984
W-13 NZ	PS-(k)-vNZ	1430	2 984
SIDE PANEL THICKNESS 45 mm			
REMOTE			
MODULE	ID FOR ORDERING	LENGTH [mm]	NET PRICE [EUR]
W-12	PP-k-v B/A	1240	2 232
W-15	PP-k-v B/A	1490	2 472
W-18	PP-k-v B/A	1780	2 637
W-20	PP-k-v B/A	1980	2 658
W-25	PP-k-v B/A	2480	3 077
W-30	PP-k-v B/A	2980	3 897
W-37	PP-k-v B/A	3750	4 527
W-13 NW	PP-k-v NW B/A	1340	2 733
W-13 NZ	PP-(k)-v NZ B/A	1340	2 733
SIDE PANEL THICKNESS 45 mm			
CASH DESK			
LPK - PP-k-v	1000		995
LPK - PP-k-v NW/NZ	1000		995
AVAILABLE DEPTHS:			
STANDARD	AT NO EXTRA CHARGE:		
1180mm	995mm	895mm	



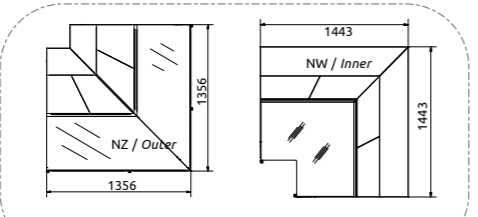
CHŁODZENIE DYNAMICZNE / DYNAMIC COOLING



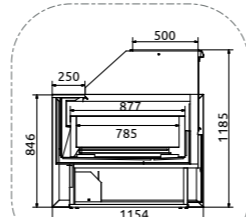
CHŁODZENIE GRAWITACYJNE / STATIC COOLING



NAROŻNIKI WARIANT 1 / CORNERS VARIANT 1



NAROŻNIKI WARIANT 2 / CORNERS VARIANT 2



VERONA BEMAR/HEAT

ATTENTION!	DEVICE CONFIGURATION OPTIONS:	NET PRICE [EUR]	UM
DIFFERENCE IN STANDARD EQUIPMENT COMPARED TO THE BASE VARIANT	NO STORAGE COMPARTMENTS	-73	LM
	FREEZER VERSION [-6°C / -12°C]	Page 25.	
	BAIN-MARIE VERSION [+60°C / +90°C]	Page 25.	
	HEATING VERSION [+30°C / +60°C]	Page 25.	

OH18

DISPLAY AREA MADE OF ACID-RESISTANT SHEET METAL



MODULAR SYSTEM - SIMPLE ASSEMBLY OF LINES



REFRIGERANT: R290 - PLUG-IN; R452 - REMOTE



BOTTOM HINGE FRONT GLASS OPENING

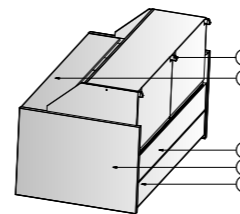
STANDARD EQUIPMENT FOR BASE VARIANT

	PLUG-IN	REMOTE
INTERNAL COOLING AGGREGATE	✓	✓
POWERED ONLY BY EXTERNAL AGGREGATE	✓	✓
DEVICE PREPARED FOR MULTIPLEXING	✓	✓
DYNAMIC (FORCED-AIR) COOLING (PS-K-V) OR STATIC COOLING (PS-K)	✓	✓
STRAIGHT FRONT GLASS, TILTABLE ON THE BOTTOM HINGE	✓	✓
STORAGE CHAMBERS: MADE OF ACID-RESISTANT STAINLESS STEEL SHEET	✓	✓
DISPLAY AREA MADE OF ACID-RESISTANT STAINLESS STEEL SHEET	✓	✓
ALUMINUM PROFILES - SILVER/GOLD COLOUR	✓	✓
ECOLOGICAL POLYURETHANE FOAM INSULATION	✓	✓
INTERIOR LIGHTING: ENERGY-SAVING LED LIGHTING	✓	✓
WORKTOP: GRANITE (BIANCO/ROSA PORRINO)	✓	✓
ELECTRONIC INTERNAL THERMOMETER	✓	✓
ELECTRONIC TEMPERATURE CONTROLLER	✓	✓
DEFROSTING: AUTOMATIC	✓	✓
CONDENSATE DRAIN TO THE CONDENSATE CONTAINER	✓	✓
EXTERNAL CASE POWDER-COATED: RAL 9007, 9005, 9003	✓	✓
INSULATED SIDES MADE OF POWDER COATED STEEL SHEET (THICKNESS 45 MM)	✓	✓
FRONT ELEMENTS MADE OF POWDER-COATED STEEL SHEET: RAL 9007, 9005, 9003	✓	✓
FEET FOR LEVELING THE DEVICE	✓	✓
EXPANSION VALVE	✓	✓
COOLING CAPACITY REQUIREMENTS AT T0 = -15 °C [W/M ²] AT AN AMBIENT TEMPERATURE OF +25 °C AND HUMIDITY OF 60%	✓	500 W
WARM AIRFLOW ON THE FRONTAL GLASS	✓	✓
DOUBLE ELECTRICAL SOCKET	✓	✓

OPTIONAL EQUIPMENT

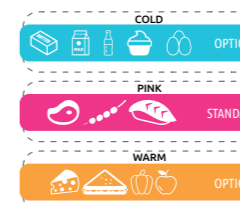
	REMARKS	UM	PRICE [EUR]
SIDES MADE OF ACID-RESISTANT STAINLESS STEEL		SET	355
FRONT MADE OF ACID-RESISTANT STAINLESS STEEL		LM	80
WOODEN SIDES	COLD COLOUR CHART	SET	259
WOODEN FRONT	COLD COLOUR CHART	LM	43
NIGHT BLINDS MADE OF PLEXI GLASS		LM	44
EVAPORATOR HEATERS		LM	35
PLEXI DIVIDER		PCS	34
ADDITIONAL EXPOSITION GLASS SHELF WITH ILLUMINATION - LED LIGHT		LM	87
STAINLESS STEEL FRONT CUSTOMER SHELF		LM	90
GLASS PARTITION	FIXED	PCS	63
BATH-TYPE EXPOSITION FOR FRESH FISH (+0°C TO +2°C)	EXCLUDES STORAGE AND STATIC COOLING	LM	224
KNIFE HOLDER	ONLY WITHOUT STORAGE CHAMBER	PCS	61
PAPER HOLDER	ONLY WITHOUT STORAGE CHAMBER	PCS	61
FRAME FOR GN CONTAINERS	IN PLACE OF EXPOSITION SURFACE	LM	52
ELECTRICAL SOCKET 230V		PCS	25
ELECTRICAL SOCKET 230V WITH RJ45		PCS	49
WORKTOP OVERLAY FOR SCALES		PCS	44
WORKTOP: BALMORAL	THICKNESS - 20MM	LM	59
WORKTOP: BLACK GRANITE	THICKNESS - 20MM	LM	93
WORKTOP: ACID-RESISTANT STAINLESS STEEL		LM	0
WORKTOP EXTENSION BY SCM	20MM, APPLIES TO ROSA AND BIANCO	LM	15
SHOPPING TROLLEY BUMPER	STAINLESS STEEL PROFILE - FLOOR MOUNTED	LM	61
FRONT PANEL COLOUR: RAL CHOICE	COLD COLOUR CHART	LM	29
HOUSING POWDER-COATING: RAL CHOICE	COLD COLOUR CHART	LM	44
INTERIOR POWDER-COATING: RAL CHOICE	EXPOSITION AREA, AIR INLET/OUTLET GRILLE	LM	44
EVAPORATOR POWDER-COATING	REQUIRED FOR FRESH FISH VERSION	LM	79
EXPOSITION AREA OVERLAY (STEPED)	OVERLAY TO EXPOSITION SURFACE	LM	63
EXPOSITION AREA - STEPPED - 2 STEPS		LM	67
EXPOSITION AREA - STEPPED - 3 STEPS		LM	79
ENGLISH PLUG FOR SOCKET		PCS	16
TEMPERATURE RECORDER (USB)		PCS	195
DOUBLE-SIDED MIRROR INSTEAD OF GLASS IN SIDE PANEL		PCS	52
CUTTING BOARD	OVERLAY TO WORKTOP	PCS	61
GLASS EXTENSION	DEVICE WITH HIGH GLASS	LM	76
BOTTOM HAUSING ILLUMINATED - LED		LM	38
CONDENSATE CONTAINER MADE OF ACID RESISTANT STAINLESS STEEL		PCS	22
AUTOMATIC CONDENSER VAPORIZATION (ELECTRICAL HEATER)	PLUG-IN ONLY (W25,W30,W37->2PCS)	PCS	157
GASTRO FEET (W20,W25 - 6 PCS; W37 - 8 PCS; REMAINING - 4 PCS)		PCS	14
SET OF WHEELS (CASTERS)		SET	108
WOODEN PALLET	CALCULATED TO LENGTH (NO DISCOUNT)	LM	15
WOODEN CRATE	CALCULATED TO LENGTH (NO DISCOUNT)	LM	40

STANDARD FINISH



- A - FRONT PANEL - BOTTOM
- B - SIDE PANEL
- C - FRONT PANEL - UPPER
- D - GRANITE COUNTERTOP
- E - ALUMINIUM PROFILES

LIGHTING COLORS



FINISH OPTIONS TABLE:

	A	B	C	D	E
RAL9005	D2360	RAL9005	D2360	RAL9005	D2360
RAL9003	D375	RAL9003	D375	RAL9003	D375
RAL9016	D381	RAL9016	D381	RAL9016	D381
RAL7024	D9103	RAL7024	D9103	RAL7024	D9103
RAL7047	D9310	RAL7047	D9310	RAL7047	D9310
RAL9007	D2380	RAL9007	D2380	RAL9007	D2380
RAL5005	D2841	RAL5005	D2841	RAL5005	D2841
RAL6029	D2713	RAL6029	D2713	RAL6029	D2713
RAL3020	D2226	RAL3020	D2226	RAL3020	D2226
RAL3003	D2609	RAL3003	D2609	RAL3003	D2609
RAL6018	D1972	RAL6018	D1972	RAL6018	D1972
RAL1019	D2842	RAL1019	D2842	RAL1019	D2842
RAL2004	D3025	RAL2004	D3025	RAL2004	D3025
RAL1021	D3610	RAL1021	D3610	RAL1021	D3610
RAL7012	INOX	RAL7012	INOX	RAL7012	INOX
RAL7016	INOX	RAL7016	INOX	RAL7016	INOX
RAL1013		RAL1013		RAL1013	
RAL5010		RAL5010		RAL5010	
RAL7012		RAL7012		RAL7012	
RAL7035		RAL7035		RAL7035	
RAL7019		RAL7019		RAL7019	
RAL7043		RAL7043		RAL7043	
RAL9016		RAL9016		RAL9016	
RAL9011		RAL9011		RAL9011	

AVAILABILITY OF FINISHES NOT INCLUDED IN THE TABLE - ON REQUEST

VERONA PS-K-V-O (PLUG-IN / REMOTE) +2°C ÷ +8°C

VERONA

EXW BOCHNIA / EUR / VALID FROM: 01/02/24

CONTENTS



VERONA PS-k-v-o



VERONA PS-k-o

PLUG-IN			
MODULE	ID FOR ORDERING	LENGTH [mm]	NET PRICE [EUR]
W-12	PS-k-v-o	1330	2 723
W-15	PS-k-v-o	1580	2 970
W-18	PS-k-v-o	1870	3 141
W-20	PS-k-v-o	2070	3 280
W-25	PS-k-v-o	2570	3 893
W-30	PS-k-v-o	3070	4 591
W-37	PS-k-v-o	3840	5 218
W-13 NW	PS-k-v-o NW	1430	3 327
W-13 NZ	PS(k)-v-o NZ	1430	3 327

REMOTE			
MODULE	ID FOR ORDERING	LENGTH [mm]	NET PRICE [EUR]
W-12	PS-k-v-o B/A	1240	2 499
W-15	PS-k-v-o B/A	1490	2 751
W-18	PS-k-v-o B/A	1780	2 890
W-20	PS-k-v-o B/A	1980	3 031
W-25	PS-k-v-o B/A	2480	3 630
W-30	PS-k-v-o B/A	2980	4 269
W-37	PS-k-v-o B/A	3750	4 847
W-13 NW	PS-k-v-o (o) NW B/A	1340	3 077
W-13 NZ	PS(k)-v-o NZ B/A	1340	3 077

CASH DESK			
MODULE	ID FOR ORDERING	LENGTH [mm]	NET PRICE [EUR]
LPK - PP-k-v		1000	995
LPK - PP-k-v NW/NZ		1000	995

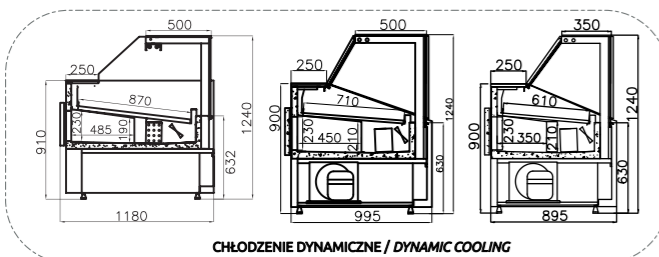
AVAILABLE DEPTHS			
STANDARD	AT NO EXTRA CHARGE:		
1180mm	995mm	895mm	

PLUG-IN			
MODULE	ID FOR ORDERING	LENGTH [mm]	NET PRICE [EUR]
W-12	PS-k-o	1330	2 563
W-15	PS-k-o	1580	2 797
W-18	PS-k-o	1870	2 957
W-20	PS-k-o	2070	3 096
W-25	PS-k-o	2570	3 668
W-30	PS-k-o	3070	4 528
W-37	PS-k-o	3840	4 922
W-13 NW	PS-k(o) NW	1430	3 143
W-13 NZ	PS(k)-o-v NZ	1430	3 143

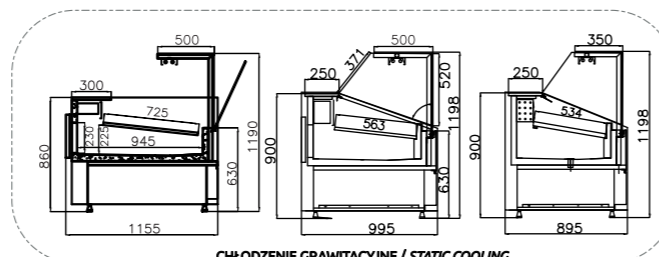
REMOTE			
MODULE	ID FOR ORDERING	LENGTH [mm]	NET PRICE [EUR]
W-12	PS-k-o B/A	1240	2 339
W-15	PS-k-o B/A	1490	2 579
W-18	PS-k-o B/A	1780	2 707
W-20	PS-k-o B/A	1980	2 847
W-25	PS-k-o B/A	2480	3 405
W-30	PS-k-o B/A	2980	4 206
W-37	PS-k-o B/A	3750	4 550
W-13 NW	PS-k-o NW B/A	1340	2 893
W-13 NZ	PS(k)-o-v NZ B/A	1340	2 893

CASH DESK			
MODULE	ID FOR ORDERING	LENGTH [mm]	NET PRICE [EUR]
LPK - PP-k-v		1000	995
LPK - PP-k-v NW/NZ		1000	995

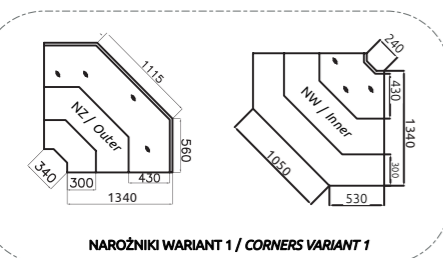
AVAILABLE DEPTHS			
STANDARD	AT NO EXTRA CHARGE:		
1180mm	995mm	895mm	



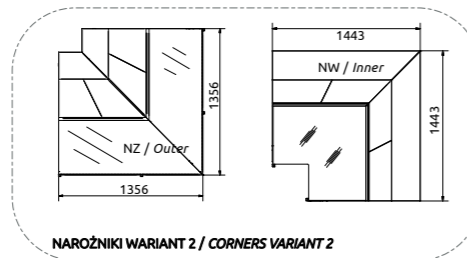
CHŁODZENIE DYNAMICZNE / DYNAMIC COOLING



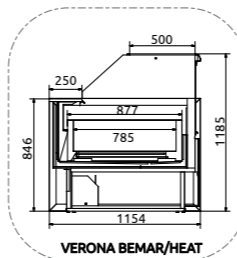
CHŁODZENIE GRAWITACYJNE / STATIC COOLING



NAROŻNIKI WARIANT 1 / CORNERS VARIANT 1



NAROŻNIKI WARIANT 2 / CORNERS VARIANT 2



VERONA BEMAR/HEAT

ATTENTION!	DEVICE CONFIGURATION OPTIONS:	NET PRICE [EUR]	UM
DIFFERENCE IN STANDARD EQUIPMENT COMPARED TO THE BASE VARIANT	NO STORAGE COMPARTMENTS	-73	LM
	FREEZER VERSION [-6°C / -12°C]	Page 25.	
	BAIN-MARIE VERSION [+60°C / +90°C]	Page 25.	
	HEATING VERSION [+30°C / +60°C]	Page 25.	

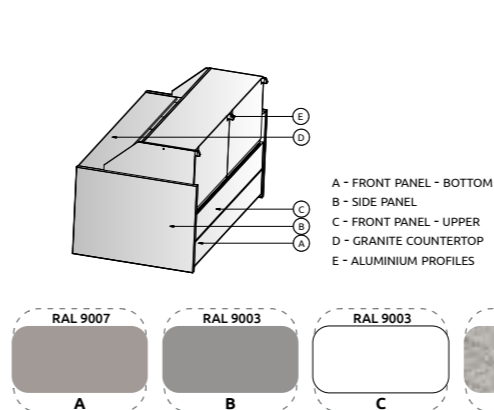
STANDARD EQUIPMENT FOR BASE VARIANT

	PLUG-IN	REMOTE
INTERNAL COOLING AGGREGATE	✓	✓
POWERED ONLY BY EXTERNAL AGGREGATE	✓	✓
DEVICE PREPARED FOR MULTIPLEXING	✓	✓
DYNAMIC (FORCED-AIR) COOLING (PS-K-V-O) OR STATIC COOLING (PS-K-O)	✓	✓
STRAIGHT FRONT GLASS, WITH SIDE-HINGED OPENING	✓	✓
STORAGE CHAMBERS: MADE OF ACID-RESISTANT STAINLESS STEEL SHEET	✓	✓
DISPLAY AREA MADE OF ACID-RESISTANT STAINLESS STEEL SHEET	✓	✓
ALUMINUM PROFILES - SILVER/GOLD COLOUR	✓	✓
ECOLOGICAL POLYURETHANE FOAM INSULATION	✓	✓
INTERIOR LIGHTING: ENERGY-SAVING LED LIGHTING	✓	✓
WORKTOP: GRANITE (BIANCO/ROSA PORRINO)	✓	✓
ELECTRONIC INTERNAL THERMOMETER	✓	✓
ELECTRONIC TEMPERATURE CONTROLLER	✓	✓
DEFROSTING: AUTOMATIC	✓	✓
CONDENSATE DRAIN TO THE CONDENSATE CONTAINER	✓	✓
EXTERNAL CASE POWDER-COATED: RAL 9007, 9005, 9003	✓	✓
INSULATED SIDES MADE OF POWDER COATED STEEL SHEET (THICKNESS 45 MM)	✓	✓
FRONT ELEMENTS MADE OF POWDER-COATED STEEL SHEET: RAL 9007, 9005, 9003	✓	✓
FEET FOR LEVELING THE DEVICE	✓	✓
EXPANSION VALVE	✓	✓
COOLING CAPACITY REQUIREMENTS AT T0 = -15 °C [W/M ³] AT AN AMBIENT TEMPERATURE OF +25 °C AND HUMIDITY OF 60%	✓	500 W
WARM AIRFLOW ON THE FRONTAL GLASS	✓	✓
DOUBLE ELECTRICAL SOCKET	✓	✓

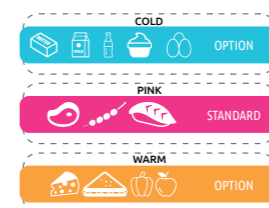
OPTIONAL EQUIPMENT

	REMARKS	UM	PRICE [EUR]
SIDES MADE OF ACID-RESISTANT STAINLESS STEEL		SET	355
FRONT MADE OF ACID-RESISTANT STAINLESS STEEL		LM	80
WOODEN SIDES	COLD COLOUR CHART	SET	259
WOODEN FRONT	COLD COLOUR CHART	LM	43
NIGHT BLINDS MADE OF PLEXI GLASS		LM	44
EVAPORATOR HEATERS		LM	35
PLEXI DIVIDER		PCS	34
ADDITIONAL EXPOSITION GLASS SHELF WITH ILLUMINATION - LED LIGHT		LM	87
STAINLESS STEEL FRONT CUSTOMER SHELF		LM	90
GLASS PARTITION	FIXED	PCS	63
BATH-TYPE EXPOSITION FOR FRESH FISH (+0°C TO +2°C)	EXCLUDES STORAGE AND STATIC COOLING	LM	224
KNIFE HOLDER	ONLY WITHOUT STORAGE CHAMBER	PCS	61
PAPER HOLDER	ONLY WITHOUT STORAGE CHAMBER	PCS	61
FRAME FOR GN CONTAINERS	IN PLACE OF EXPOSITION SURFACE	LM	52
ELECTRICAL SOCKET 230V		PCS	25
ELECTRICAL SOCKET 230V WITH RJ45		PCS	49
WORKTOP OVERLAY FOR SCALES		PCS	44
WORKTOP: BALMORAL	THICKNESS - 20MM	LM	59
WORKTOP: BLACK GRANITE	THICKNESS - 20MM	LM	93
WORKTOP: ACID-RESISTANT STAINLESS STEEL		LM	0
WORKTOP EXTENSION BY SCM	20MM, APPLIES TO ROSA AND BIANCO	LM	15
SHOPPING TROLLEY BUMPER	STAINLESS STEEL PROFILE - FLOOR MOUNTED	LM	61
FRONT PANEL COLOUR: RAL CHOICE	COLD COLOUR CHART	LM	29
HOUSING POWDER-COATING: RAL CHOICE	COLD COLOUR CHART	LM	44
INTERIOR POWDER-COATING: RAL CHOICE	EXPOSITION AREA, AIR INLET/OUTLET GRILLE	LM	44
EVAPORATOR POWDER-COATING	REQUIRED FOR FRESH FISH VERSION	LM	79
EXPOSITION AREA OVERLAY (STEPED)	OVERLAY TO EXPOSITION SURFACE	LM	63
EXPOSITION AREA- STEPPED - 2 STEPS		LM	67
EXPOSITION AREA- STEPPED - 3 STEPS		LM	79
ENGLISH PLUG FOR SOCKET		PCS	16
TEMPERATURE RECORDER (USB)		PCS	195
DOUBLE-SIDED MIRROR INSTEAD OF GLASS IN SIDE PANEL		PCS	52
CUTTING BOARD	OVERLAY TO WORKTOP	PCS	61
GLASS EXTENSION	DEVICE WITH HIGH GLASS	LM	76
BOTTOM HAUSING ILLUMINATED - LED		LM	38
CONDENSATE CONTAINER MADE OF ACID RESISTANT STAINLESS STEEL		PCS	22
AUTOMATIC CONDENSER VAPORIZATION (ELECTRICAL HEATER)	PLUG-IN ONLY (W25,W30,W37->2PCS)	PCS	157
GASTRO FEET (W20,W25 - 6 PCS; W37 - 8 PCS; REMAINING - 4 PCS)		PCS	14
SET OF WHEELS (CASTERS)		SET	108
WOODEN PALLET	CALCULATED TO LENGTH (NO DISCOUNT)	LM	15
WOODEN CRATE	CALCULATED TO LENGTH (NO DISCOUNT)	LM	40

STANDARD FINISH



LIGHTING COLORS



FINISH OPTIONS TABLE:

	A	B	C	D	E
RAL9005	D2360	RAL9005	D2360	RAL9005	D2360
RAL9003	D375	RAL9003	D375	RAL9003	D375
RAL9016	D381	RAL9016	D381	RAL9016	D381
RAL7024	D910	RAL7024	D910	RAL7024	D910
RAL7047	D9310	RAL7047	D9310	RAL7047	D9310
RAL9007	D2380	RAL9007	D2380	RAL9007	D2380
RAL5005	D2841	RAL5005	D2841	RAL5005	D2841
RAL6029	D2713	RAL6029	D2713	RAL6029	D2713
RAL3020	D2226	RAL3020	D2226	RAL3020	D2226
RAL3003	D2609	RAL3003	D2609	RAL3003	D2609
RAL6018	D1972	RAL6018	D1972	RAL6018	D1972
RAL1019	D2842	RAL1019	D2842	RAL1019	D2842
RAL2084	D3025	RAL2084	D3025	RAL2084	D3025
RAL1021	D3610	RAL1021	D3610	RAL1021	D3610
RAL7012	INOX	RAL7012	INOX	RAL7012	INOX
RAL7016	RAL7016	RAL7016	RAL7016	RAL7016	RAL7016
RAL1013	RAL1013	RAL1013	RAL1013	RAL1013	RAL1013
RAL5010	RAL5010	RAL5010	RAL5010	RAL5010	RAL5010
RAL7012	RAL7012	RAL7012	RAL7012	RAL7012	RAL7012
RAL7035	RAL7035	RAL7035	RAL7035	RAL7035	RAL7035
RAL7019	RAL7019	RAL7019	RAL7019	RAL7019	RAL7019
RAL7043	RAL7043	RAL7043	RAL7043	RAL7043	RAL7043
RAL9016	RAL9016	RAL9016	RAL9016	RAL9016	RAL9016
RAL9011	RAL9011	RAL9011	RAL9011	RAL9011	RAL9011

AVAILABILITY OF FINISHES NOT INCLUDED IN THE TABLE - ON REQUEST

OH18 DISPLAY AREA MADE OF ACID-RESISTANT SHEET METAL

MODULAR SYSTEM - SIMPLE ASSEMBLY OF LINES

REFRIGERANT: R290 - PLUG-IN; R452 - REMOTE

SIDE-HUNG FRONT GLASS OPENING

VERONA PKV-K (PLUG-IN / REMOTE)

+2°C ÷ +8°C

VERONA

EXW BOCHNIA / EUR / VALID FROM: 01/02/24

CONTENTS



VERONA PKV-k

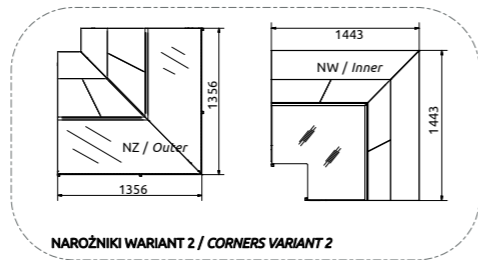
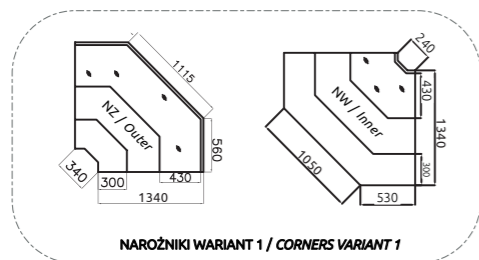
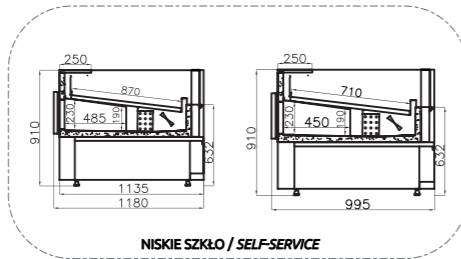
PLUG-IN			
MODULE	ID FOR ORDERING	LENGTH [mm]	NET PRICE [EUR]
W-12	PKV-k	1330	2 553
W-15	PKV-k	1580	2 792
W-18	PKV-k	1870	3 038
W-20	PKV-k	2070	3 161
W-25	PKV-k	2570	3 457
W-30	PKV-k	3070	4 238
W-37	PKV-k	3840	4 548
W-13 NW	PKV-k NW	1430	3 207
W-13 NZ	PKV-k NZ	1430	3 207

REMOTE			
MODULE	ID FOR ORDERING	LENGTH [mm]	NET PRICE [EUR]
W-12	PKV-k B/A	1240	2 327
W-15	PKV-k B/A	1490	2 571
W-18	PKV-k B/A	1780	2 786
W-20	PKV-k B/A	1980	2 909
W-25	PKV-k B/A	2480	3 191
W-30	PKV-k B/A	2980	3 913
W-37	PKV-k B/A	3750	4 270
W-13 NW	PKV-k NW B/A	1340	2 909
W-13 NZ	PKV-k NZ B/A	1340	2 909

SIDE PANEL THICKNESS 45 mm

CASH DESK		
MODULE	LENGTH [mm]	NET PRICE [EUR]
LPK - PP-k-v	1000	995
LPK - PP-k-v NW/NZ	1000	995

AVAILABLE DEPTHS		
STANDARD	AT NO EXTRA CHARGE:	
1180mm	995mm	895mm



OH18 DISPLAY AREA MADE OF ACID-RESISTANT SHEET METAL

MODULAR SYSTEM - SIMPLE ASSEMBLY OF LINES

REFRIGERANT: R290 - PLUG-IN; R452 - REMOTE

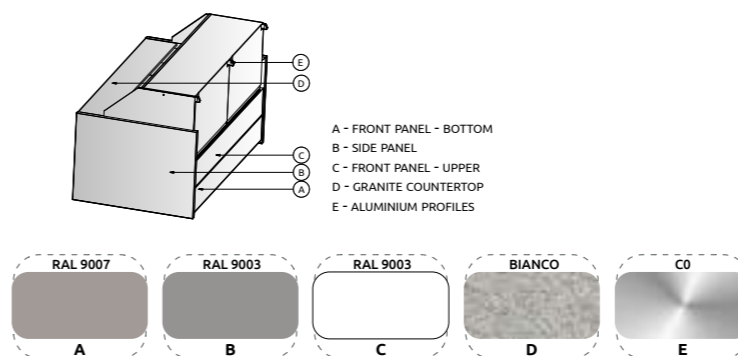
STANDARD EQUIPMENT FOR BASE VARIANT

	PLUG-IN	REMOTE
INTERNAL COOLING AGGREGATE	✓	✓
POWERED ONLY BY EXTERNAL AGGREGATE	✓	✓
DEVICE PREPARED FOR MULTIPLEXING	✓	✓
DYNAMIC (FORCED-AIR) COOLING	✓	✓
STRAIGHT FRONT GLASS, LOW GLASS	✓	✓
STORAGE CHAMBERS: MADE OF ACID-RESISTANT STAINLESS STEEL SHEET	✓	✓
DISPLAY AREA MADE OF ACID-RESISTANT STAINLESS STEEL SHEET	✓	✓
ALUMINUM PROFILES - SILVER/GOLD COLOUR	✓	✓
ECOLOGICAL POLYURETHANE FOAM INSULATION	✓	✓
INTERIOR LIGHTING: ENERGY-SAVING LED LIGHTING	✓	✓
WORKTOP: GRANITE (BIANCO/ROSA PORRINO)	✓	✓
ELECTRONIC INTERNAL THERMOMETER	✓	✓
ELECTRONIC TEMPERATURE CONTROLLER	✓	✓
DEFROSTING: AUTOMATIC	✓	✓
CONDENSATE DRAIN TO THE CONDENSATE CONTAINER	✓	✓
EXTERNAL CASE POWDER-COATED: RAL 9007, 9005, 9003	✓	✓
INSULATED SIDES MADE OF POWDER COATED STEEL SHEET (THICKNESS 45 MM)	✓	✓
FRONT ELEMENTS MADE OF POWDER-COATED STEEL SHEET: RAL 9007, 9005, 9003	✓	✓
FEET FOR LEVELING THE DEVICE	✓	✓
EXPANSION VALVE	✓	✓
COOLING CAPACITY REQUIREMENTS AT T0 = -15 °C [W/M ²] AT AN AMBIENT TEMPERATURE OF +25 °C AND HUMIDITY OF 60%	✓	500 W
WARM AIRFLOW ON THE FRONTAL GLASS	✓	✓
DOUBLE ELECTRICAL SOCKET	✓	✓

OPTIONAL EQUIPMENT

	REMARKS	UM	PRICE [EUR]
SIDES MADE OF ACID-RESISTANT STAINLESS STEEL		SET	355
FRONT MADE OF ACID-RESISTANT STAINLESS STEEL		LM	80
WOODEN SIDES	COLD COLOUR CHART	SET	259
WOODEN FRONT	COLD COLOUR CHART	LM	43
NIGHT BLINDS MADE OF PLEXI GLASS		LM	44
EVAPORATOR HEATERS		LM	35
PLEXI DIVIDER		PCS	34
ADDITIONAL EXPOSITION GLASS SHELF WITH ILLUMINATION - LED LIGHT		LM	87
STAINLESS STEEL FRONT CUSTOMER SHELF		LM	90
GLASS PARTITION	FIXED	PCS	63
BATH-TYPE EXPOSITION FOR FRESH FISH (+0C TO +2C)	EXCLUDES STORAGE AND STATIC COOLING	LM	224
KNIFE HOLDER	ONLY WITHOUT STORAGE CHAMBER	PCS	61
PAPER HOLDER	ONLY WITHOUT STORAGE CHAMBER	PCS	61
FRAME FOR GN CONTAINERS	IN PLACE OF EXPOSITION SURFACE	LM	52
ELECTRICAL SOCKET 230V		PCS	25
ELECTRICAL SOCKET 230V WITH RJ45		PCS	49
WORKTOP OVERLAY FOR SCALES		PCS	44
WORKTOP: BALMORAL	THICKNESS - 20MM	LM	59
WORKTOP: BLACK GRANITE	THICKNESS - 20MM	LM	93
WORKTOP: ACID-RESISTANT STAINLESS STEEL		LM	0
WORKTOP EXTENSION BY SCM	20MM, APPLIES TO ROSA AND BIANCO	LM	15
SHOPPING TROLLEY BUMPER	STAINLESS STEEL PROFILE - FLOOR MOUNTED	LM	61
FRONT PANEL COLOUR: RAL CHOICE	COLD COLOUR CHART	LM	29
HOUSING POWDER-COATING: RAL CHOICE	COLD COLOUR CHART	LM	44
INTERIOR POWDER-COATING: RAL CHOICE	EXPOSITION AREA, AIR INLET/OUTLET GRILLE	LM	44
EVAPORATOR POWDER-COATING	REQUIRED FOR FRESH FISH VERSION	LM	79
EXPOSITION AREA OVERLAY (STEPED)	OVERLAY TO EXPOSITION SURFACE	LM	63
EXPOSITION AREA- STEPPED - 2 STEPS		LM	67
EXPOSITION AREA- STEPPED - 3 STEPS		LM	79
ENGLISH PLUG FOR SOCKET		PCS	16
TEMPERATURE RECORDER (USB)		PCS	195
DOUBLE-SIDED MIRROR INSTEAD OF GLASS IN SIDE PANEL		PCS	52
CUTTING BOARD	OVERLAY TO WORKTOP	PCS	61
GLASS EXTENSION	DEVICE WITH HIGH GLASS	LM	76
BOTTOM HAUSING ILLUMINATED - LED		LM	38
CONDENSATE CONTAINER MADE OF ACID-RESISTANT STAINLESS STEEL		PCS	22
AUTOMATIC CONDENSER VAPORIZATION (ELECTRICAL HEATER)	PLUG-IN ONLY (W25,W30,W37->2PCS)	PCS	157
GASTRO FEET (W20,W25 - 6 PCS; W37 - 8 PCS; REMAINING - 4 PCS)		PCS	14
SET OF WHEELS (CASTERS)		SET	108
WOODEN PALLET	CALCULATED TO LENGTH (NO DISCOUNT)	LM	15
WOODEN CRATE	CALCULATED TO LENGTH (NO DISCOUNT)	LM	40

STANDARD FINISH



FINISH OPTIONS TABLE:

	A	B	C	D	E
RAL9005	D2360	RAL9005	D2360	RAL9005	D2360
RAL9003	D375	RAL9003	D375	RAL9003	D375
RAL9016	D381	RAL9016	D381	RAL9016	D381
RAL7024	D910	RAL7024	D910	RAL7024	D910
RAL7047	D9310	RAL7047	D9310	RAL7047	D9310
RAL9007	D2380	RAL9007	D2380	RAL9007	D2380
RAL5005	D2841	RAL5005	D2841	RAL5005	D2841
RAL6029	D2713	RAL6029	D2713	RAL6029	D2713
RAL3020	D2226	RAL3020	D2226	RAL3020	D2226
RAL3003	D2609	RAL3003	D2609	RAL3003	D2609
RAL6018	D1972	RAL6018	D1972	RAL6018	D1972
RAL1019	D2842	RAL1019	D2842	RAL1019	D2842
RAL2004	D3025	RAL2004	D3025	RAL2004	D3025
RAL1021	D2610	RAL1021	D2610	RAL1021	D2610
RAL7012	INOX	RAL7012	INOX	RAL7012	INOX
RAL7016	RAL7016	RAL7016	RAL7016	RAL7016	RAL7016
RAL1013	RAL1013	RAL1013	RAL1013	RAL1013	RAL1013
RAL5010	RAL5010	RAL5010	RAL5010	RAL5010	RAL5010
RAL7012	RAL7012	RAL7012	RAL7012	RAL7012	RAL7012
RAL7035	RAL7035	RAL7035	RAL7035	RAL7035	RAL7035
RAL7019	RAL7019	RAL7019	RAL7019	RAL7019	RAL7019
RAL7043	RAL7043	RAL7043	RAL7043	RAL7043	RAL7043
RAL9016	RAL9016	RAL9016	RAL9016	RAL9016	RAL9016
RAL9011	RAL9011	RAL9011	RAL9011	RAL9011	RAL9011

AVAILABILITY OF FINISHES NOT INCLUDED IN THE TABLE - ON REQUEST

VERONA GRANDE (PLUG-IN / REMOTE)

+2°C ÷ +8°C

VERONA

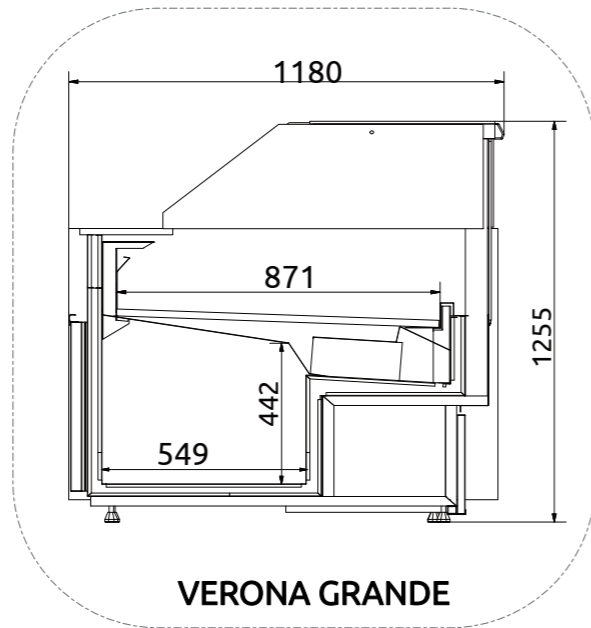
EXW BOCHNIA / EUR / VALID FROM: 01/02/24

CONTENTS



VERONA GRANDE

PLUG-IN			
MODULE	ID FOR ORDERING	LENGTH (mm)	NET PRICE [EUR]
W-20	PP-v-k Grande	2070	4 868
W-25	PP-v-k Grande	2570	4 949
W-30	PP-v-k Grande	3070	6 322
REMOTE			
MODULE	ID FOR ORDERING	LENGTH (mm)	NET PRICE [EUR]
W-20	PP-v-k Grande B/A	1980	4 611
W-25	PP-v-k Grande B/A	2480	4 755
W-30	PP-v-k Grande B/A	2980	6 037
SIDE PANEL THICKNESS: 45 mm			
CASH DESK			
LPK - PP-k-v		1000	995
LPK - PP-k-v NW/NZ		1000	995



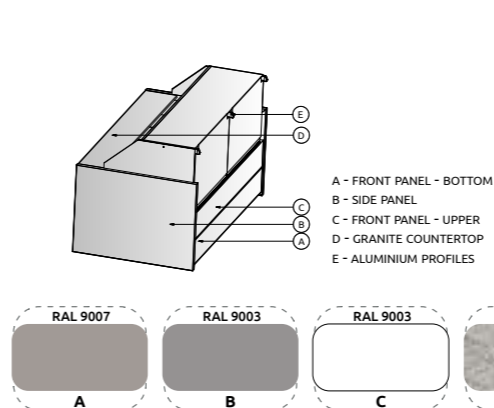
STANDARD EQUIPMENT FOR BASE VARIANT

	PLUG-IN	REMOTE
INTERNAL COOLING AGGREGATE	✓	✓
POWERED ONLY BY EXTERNAL AGGREGATE	✓	✓
DEVICE PREPARED FOR MULTIPLEXING	✓	✓
DYNAMIC (FORCED-AIR) COOLING	✓	✓
STRAIGHT FRONT GLASS, TELESCOPIC LIFTING SYSTEM	✓	✓
ENLARGED STORAGE CHAMBERS: MADE OF ACID-RESISTANT STAINLESS STEEL SHEET	✓	✓
DISPLAY AREA MADE OF ACID-RESISTANT STAINLESS STEEL SHEET	✓	✓
ALUMINUM PROFILES - SILVER/GOLD COLOUR	✓	✓
ECOLOGICAL POLYURETHANE FOAM INSULATION	✓	✓
INTERIOR LIGHTING: ENERGY-SAVING LED LIGHTING	✓	✓
WORKTOP: GRANITE (BIANCO/ROSA PORRINO)	✓	✓
ELECTRONIC INTERNAL THERMOMETER	✓	✓
ELECTRONIC TEMPERATURE CONTROLLER	✓	✓
DEFROSTING: AUTOMATIC	✓	✓
CONDENSATE DRAIN TO THE CONDENSATE CONTAINER	✓	✓
EXTERNAL CASE POWDER-COATED: RAL 9007, 9005, 9003	✓	✓
INSULATED SIDES MADE OF POWDER COATED STEEL SHEET (THICKNESS 45 MM)	✓	✓
FRONT ELEMENTS MADE OF POWDER-COATED STEEL SHEET: RAL 9007, 9005, 9003	✓	✓
FEET FOR LEVELING THE DEVICE	✓	✓
EXPANSION VALVE	✓	✓
COOLING CAPACITY REQUIREMENTS AT T0 = -15 °C [W/M ³] AT AN AMBIENT TEMPERATURE OF +25 °C AND HUMIDITY OF 60%	✓	500 W
WARM AIRFLOW ON THE FRONTAL GLASS	✓	✓
DOUBLE ELECTRICAL SOCKET	✓	✓

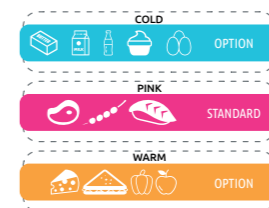
OPTIONAL EQUIPMENT

	REMARKS	UM	PRICE [EUR]
SIDES MADE OF ACID-RESISTANT STAINLESS STEEL		SET	355
FRONT MADE OF ACID-RESISTANT STAINLESS STEEL		LM	80
WOODEN SIDES	COLD COLOUR CHART	SET	259
WOODEN FRONT	COLD COLOUR CHART	LM	43
NIGHT BLINDS MADE OF PLEXI GLASS		LM	44
EVAPORATOR HEATERS		LM	35
PLEXI DIVIDER		PCS	34
ADDITIONAL EXPOSITION GLASS SHELF WITH ILLUMINATION - LED LIGHT		LM	87
STAINLESS STEEL FRONT CUSTOMER SHELF		LM	90
GLASS PARTITION	FIXED	PCS	63
BATH-TYPE EXPOSITION FOR FRESH FISH (+0C TO +2C)	EXCLUDES STORAGE AND STATIC COOLING	LM	224
KNIFE HOLDER	ONLY WITHOUT STORAGE CHAMBER	PCS	61
PAPER HOLDER	ONLY WITHOUT STORAGE CHAMBER	PCS	61
FRAME FOR GN CONTAINERS	IN PLACE OF EXPOSITION SURFACE	LM	52
ELECTRICAL SOCKET 230V		PCS	25
ELECTRICAL SOCKET 230V WITH RJ45		PCS	49
WORKTOP OVERLAY FOR SCALES		PCS	44
WORKTOP: BALMORAL	THICKNESS - 20MM	LM	59
WORKTOP: BLACK GRANITE	THICKNESS - 20MM	LM	93
WORKTOP: ACID-RESISTANT STAINLESS STEEL		LM	0
WORKTOP EXTENSION BY SCM	20MM, APPLIES TO ROSA AND BIANCO	LM	15
SHOPPING TROLLEY BUMPER	STAINLESS STEEL PROFILE - FLOOR MOUNTED	LM	61
FRONT PANEL COLOUR: RAL CHOICE	COLD COLOUR CHART	LM	29
HOUSING POWDER-COATING: RAL CHOICE	COLD COLOUR CHART	LM	44
INTERIOR POWDER-COATING: RAL CHOICE	EXPOSITION AREA, AIR INLET/OUTLET GRILLE	LM	44
EVAPORATOR POWDER-COATING	REQUIRED FOR FRESH FISH VERSION	LM	79
EXPOSITION AREA OVERLAY (STEPED)	OVERLAY TO EXPOSITION SURFACE	LM	63
EXPOSITION AREA- STEPPED - 2 STEPS		LM	67
EXPOSITION AREA- STEPPED - 3 STEPS		LM	79
ENGLISH PLUG FOR SOCKET		PCS	16
TEMPERATURE RECORDER (USB)		PCS	195
DOUBLE-SIDED MIRROR INSTEAD OF GLASS IN SIDE PANEL		PCS	52
CUTTING BOARD	OVERLAY TO WORKTOP	PCS	61
GLASS EXTENSION	DEVICE WITH HIGH GLASS	LM	76
BOTTOM HAUSING ILLUMINATED - LED		LM	38
CONDENSATE CONTAINER MADE OF ACID-RESISTANT STAINLESS STEEL		PCS	22
AUTOMATIC CONDENSER VAPORIZATION (ELECTRICAL HEATER)	PLUG-IN ONLY (W20,W25,W30,W37->2PCS)	PCS	157
GASTRO FEET (W20,W25 - 6 PCS; W37 - 8 PCS; REMAINING - 4 PCS)		PCS	14
SET OF WHEELS (CASTERS)		SET	108
WOODEN PALLET	CALCULATED TO LENGTH (NO DISCOUNT)	LM	15
WOODEN CRATE	CALCULATED TO LENGTH (NO DISCOUNT)	LM	40

STANDARD FINISH



LIGHTING COLORS



FINISH OPTIONS TABLE:

	A	B	C	D	E
RAL9005	D2360	RAL9005	D2360	RAL9005	D2360
RAL9003	D375	RAL9003	D375	RAL9003	D375
RAL9016	D381	RAL9016	D381	RAL9016	D381
RAL7024	D9103	RAL7024	D9103	RAL7024	D9103
RAL7047	D9310	RAL7047	D9310	RAL7047	D9310
RAL9007	D2380	RAL9007	D2380	RAL9007	D2380
RAL5005	D2841	RAL5005	D2841	RAL5005	D2841
RAL6029	D2713	RAL6029	D2713	RAL6029	D2713
RAL3020	D2226	RAL3020	D2226	RAL3020	D2226
RAL3003	D2609	RAL3003	D2609	RAL3003	D2609
RAL6018	D1972	RAL6018	D1972	RAL6018	D1972
RAL1019	D2842	RAL1019	D2842	RAL1019	D2842
RAL2004	D3025	RAL2004	D3025	RAL2004	D3025
RAL1021	D2610	RAL1021	D2610	RAL1021	D2610
RAL7012	INOX	RAL7012	INOX	RAL7012	INOX
RAL7016	RAL7016	RAL7016	RAL7016	RAL7016	RAL7016
RAL1013	RAL1013	RAL1013	RAL1013	RAL1013	RAL1013
RAL5010	RAL5010	RAL5010	RAL5010	RAL5010	RAL5010
RAL7012	RAL7012	RAL7012	RAL7012	RAL7012	RAL7012
RAL7035	RAL7035	RAL7035	RAL7035	RAL7035	RAL7035
RAL7019	RAL7019	RAL7019	RAL7019	RAL7019	RAL7019
RAL7043	RAL7043	RAL7043	RAL7043	RAL7043	RAL7043
RAL9016	RAL9016	RAL9016	RAL9016	RAL9016	RAL9016
RAL9011	RAL9011	RAL9011	RAL9011	RAL9011	RAL9011

AVAILABILITY OF FINISHES NOT INCLUDED IN THE TABLE - ON REQUEST

OH18 DISPLAY AREA MADE OF ACID-RESISTANT SHEET METAL

MODULAR SYSTEM - SIMPLE ASSEMBLY OF LINES

REFRIGERANT: R290 - PLUG-IN; R452 - REMOTE

LIFT-UP FRONT GLASS

VERONA FREEZER/BAIN-MARIE/HEAT

VERONA

EXW BOCHNIA / EUR / VALID FROM: 01/02/24

CONTENTS

VERONA PP-k-v MR NT (-6°C + -12°C)

PLUG-IN			
MODULE	ID FOR ORDERING	LENGTH [mm]	NET PRICE [EUR]
W-12	PP-k-v MR NT	1330	3 607
W-15	PP-k-v MR NT	1580	3 909
W-18	PP-k-v MR NT	1870	4 396
W-20	PP-k-v MR NT	2070	4 472
REMOTE			
W-12	PP-k-v MR NT B/A	1240	3 476
W-15	PP-k-v MR NT B/A	1490	3 778
W-18	PP-k-v MR NT B/A	1780	4 154
W-20	PP-k-v MR NT B/A	1980	4 230

SIDE PANEL THICKNESS 45 mm

VERONA BAIN-MARIE (+60°C + +90°C)

PLUG-IN			
MODULE	ID FOR ORDERING	LENGTH [mm]	NET PRICE [EUR]
W-12	PP BEMAR	1250	3 136
W-15	PP BEMAR	1550	3 347
W-18	PP BEMAR	1850	3 764

VERONA HEATED (+30°C + +90°C)

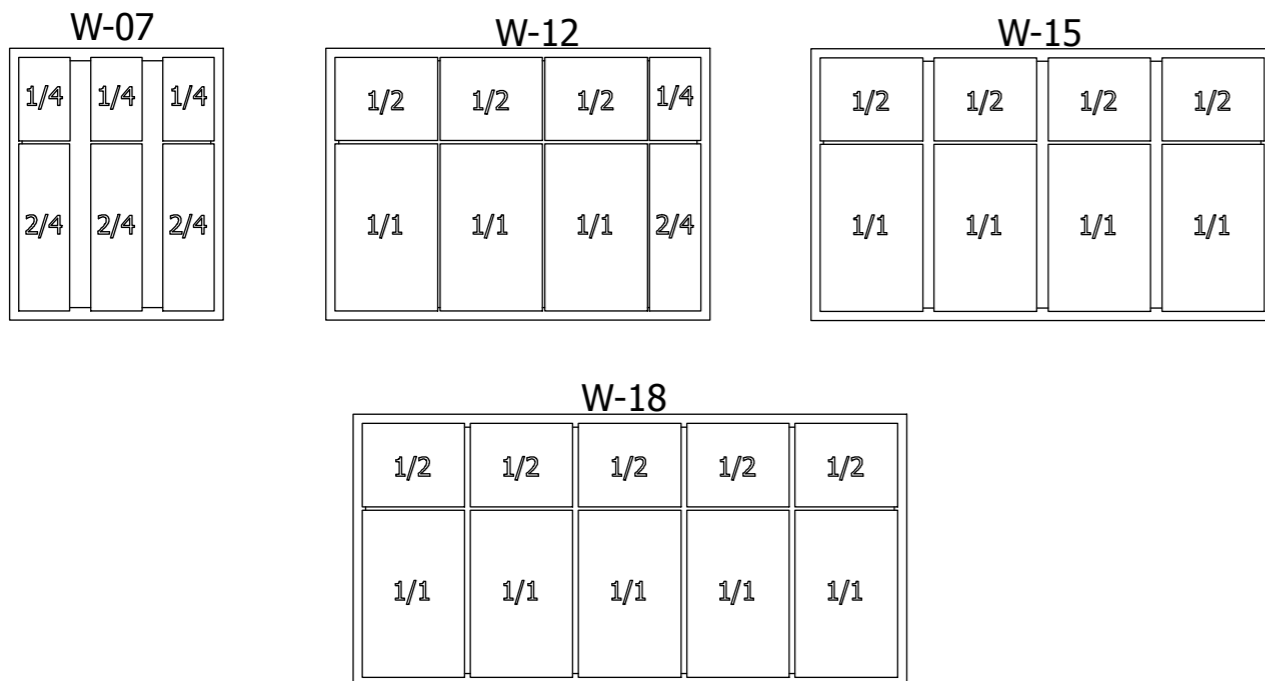
PLUG-IN			
MODULE	ID FOR ORDERING	LENGTH [mm]	NET PRICE [EUR]
W-07	PP GRZEWCZA	800	2 587
W-12	PP GRZEWCZA	1250	2 715
W-15	PP GRZEWCZA	1550	2 770
W-18	PP GRZEWCZA	1850	3 185



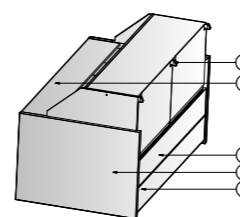
OPTIONAL EQUIPMENT

	REMARKS	UM	PRICE [EUR]
SIDES MADE OF ACID-RESISTANT STAINLESS STEEL		SET	355
FRONT MADE OF ACID-RESISTANT STAINLESS STEEL		LM	80
WOODEN SIDES	COLD COLOUR CHART	SET	259
WOODEN FRONT	COLD COLOUR CHART	LM	43
NIGHT BLINDS MADE OF PLEXI GLASS		LM	44
EVAPORATOR HEATERS		LM	35
PLEXI DIVIDER		PCS	34
ADDITIONAL EXPOSITION GLASS SHELF WITH ILLUMINATION - LED LIGHT		LM	87
STAINLESS STEEL FRONT CUSTOMER SHELF		LM	90
GLASS PARTITION	FIXED	PCS	63
BATH-TYPE EXPOSITION FOR FRESH FISH (+0C TO +2C)	EXCLUDES STORAGE AND STATIC COOLING	LM	224
KNIFE HOLDER	ONLY WITHOUT STORAGE CHAMBER	PCS	61
PAPER HOLDER	ONLY WITHOUT STORAGE CHAMBER	PCS	61
FRAME FOR GN CONTAINERS	IN PLACE OF EXPOSITION SURFACE	LM	52
ELECTRICAL SOCKET 230V		PCS	25
ELECTRICAL SOCKET 230V WITH RJ45		PCS	49
WORKTOP OVERLAY FOR SCALES		PCS	44
WORKTOP: BALMORAL	THICKNESS - 20MM	LM	59
WORKTOP: BLACK GRANITE	THICKNESS - 20MM	LM	93
WORKTOP: ACID-RESISTANT STAINLESS STEEL		LM	0
WORKTOP EXTENSION BY SCM	20MM, APPLIES TO ROSA AND BIANCO	LM	15
SHOPPING TROLLEY BUMPER	STAINLESS STEEL PROFILE - FLOOR MOUNTED	LM	61
FRONT PANEL COLOUR: RAL CHOICE	COLD COLOUR CHART	LM	29
HOUSING POWDER-COATING: RAL CHOICE	COLD COLOUR CHART	LM	44
INTERIOR POWDER-COATING: RAL CHOICE	EXPOSITION AREA, AIR INLET/OUTLET GRILLE	LM	44
EVAPORATOR POWDER-COATING	REQUIRED FOR FRESH FISH VERSION	LM	79
EXPOSITION AREA OVERLAY (STEPED)	OVERLAY TO EXPOSITION SURFACE	LM	63
EXPOSITION AREA- STEPPED - 2 STEPS		LM	67
EXPOSITION AREA- STEPPED - 3 STEPS		LM	79
ENGLISH PLUG FOR SOCKET		PCS	16
TEMPERATURE RECORDER (USB)		PCS	195
DOUBLE SIDED MIRROR INSTEAD OF GLASS IN SIDE PANEL		PCS	52
CUTTING BOARD	OVERLAY TO WORKTOP	PCS	61
GLASS EXTENSION	DEVICE WITH HIGH GLASS	LM	76
BOTTOM HAUSING ILLUMINATED - LED		LM	38
CONDENSATE CONTAINER MADE OF ACID RESISTANT STAINLESS STEEL		PCS	22
AUTOMATIC CONDENSER VAPORIZATION (ELECTRICAL HEATER)	PLUG-IN ONLY (W25,W30,W37->2PCS)	PCS	157
GASTRO FEET (W20,W25 - 6 PCS; W37 - 8 PCS; REMAINING - 4 PCS)		PCS	14
SET OF WHEELS (CASTERS)		SET	108
WOODEN PALLET	CALCULATED TO LENGTH (NO DISCOUNT)	LM	15
WOODEN CRATE	CALCULATED TO LENGTH (NO DISCOUNT)	LM	40

EXAMPLE ARRANGEMENT OF OPTIONAL GASTRONOMIC CONTAINERS

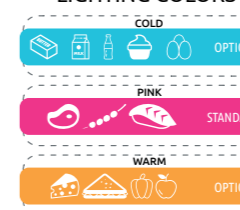


STANDARD FINISH



- A - FRONT PANEL - BOTTOM
- B - SIDE PANEL
- C - FRONT PANEL - UPPER
- D - GRANITE COUNTERTOP
- E - ALUMINIUM PROFILES

LIGHTING COLORS



FINISH OPTIONS TABLE:

	A	B	C	D	E
RAL9005	D2360	RAL9005	D2360	RAL9005	D2360
RAL9003	D375	RAL9003	D375	RAL9003	D375
RAL9016	D381	RAL9016	D381	RAL9016	D381
RAL7024	D9103	RAL7024	D9103	RAL7024	D9103
RAL7047	D9310	RAL7047	D9310	RAL7047	D9310
RAL9007	D2380	RAL9007	D2380	RAL9007	D2380
RAL5005	D2841	RAL5005	D2841	RAL5005	D2841
RAL6029	D2713	RAL6029	D2713	RAL6029	D2713
RAL3020	D2226	RAL3020	D2226	RAL3020	D2226
RAL3003	D2609	RAL3003	D2609	RAL3003	D2609
RAL6018	D1972	RAL6018	D1972	RAL6018	D1972
RAL1019	D2842	RAL1019	D2842	RAL1019	D2842
RAL2084	D3025	RAL2084	D3025	RAL2084	D3025
RAL1021	D2610	RAL1021	D2610	RAL1021	D2610
RAL7012	INOX	RAL7012	INOX	RAL7012	INOX
RAL7016	RAL7016	RAL7016	RAL7016	RAL7016	RAL7016
RAL1013	RAL1013	RAL1013	RAL1013	RAL1013	RAL1013
RAL5010	RAL5010	RAL5010	RAL5010	RAL5010	RAL5010
RAL7012	RAL7012	RAL7012	RAL7012	RAL7012	RAL7012
RAL7035	RAL7035	RAL7035	RAL7035	RAL7035	RAL7035
RAL7019	RAL7019	RAL7019	RAL7019	RAL7019	RAL7019
RAL7043	RAL7043	RAL7043	RAL7043	RAL7043	RAL7043
RAL9016	RAL9016	RAL9016	RAL9016	RAL9016	RAL9016
RAL9011	RAL9011	RAL9011	RAL9011	RAL9011	RAL9011

AVAILABILITY OF FINISHES NOT INCLUDED IN THE TABLE - ON REQUEST

OH18

DISPLAY AREA MADE OF ACID-RESISTANT SHEET METAL



MODULAR SYSTEM - SIMPLE ASSEMBLY OF LINES



REFRIGERANT: R290 - PLUG-IN; R452 - REMOTE



LIFT-UP FRONT GLASS

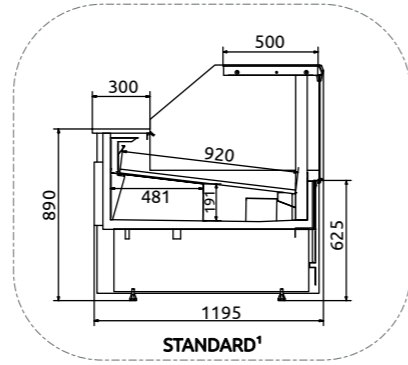
LAGOS (PLUG-IN / REMOTE)

+2°C ÷ +8°C

LAGOS

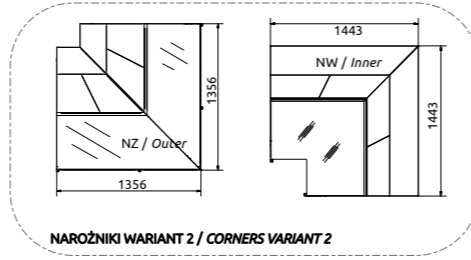
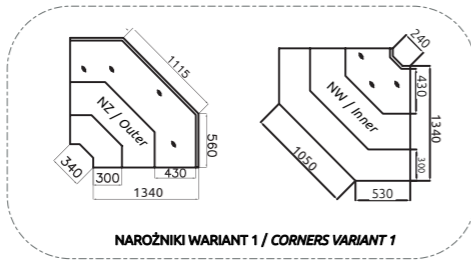
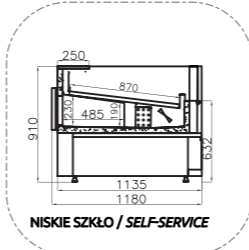
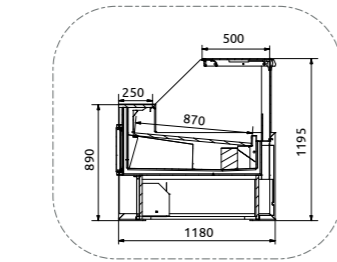
EXW BOCHNIA / EUR / VALID FROM: 01/02/24

CONTENTS



LAGOS			
PLUG-IN			
MODULE	ID FOR ORDERING	LENGTH [mm]	NET PRICE [EUR]
W-12	LAGOS	1330	3 025
W-15	LAGOS	1580	3 284
W-18	LAGOS	1870	3 725
W-20	LAGOS	2070	3 914
W-25	LAGOS	2570	4 425
W-30	LAGOS	3070	5 171
W-37	LAGOS	3840	5 943
W-13 NW	LAGOS NW	1430	3 951
W-13 NZ	LAGOS NZ	1430	3 951
REMOTE			
MODULE	ID FOR ORDERING	LENGTH [mm]	NET PRICE [EUR]
W-12	LAGOS B/A	1240	2 807
W-15	LAGOS B/A	1490	3 071
W-18	LAGOS B/A	1780	3 483
W-20	LAGOS B/A	1980	3 673
W-25	LAGOS B/A	2480	4 169
W-30	LAGOS B/A	2980	4 710
W-37	LAGOS B/A	3750	5 566
W-13 NW	LAGOS NW BA	1340	3 720
W-13 NZ	LAGOS NZ B/A	1340	3 720
SIDE PANEL THICKNESS: 45 mm			
CASH DESK			
LPK - LAGOS		1000	995
LPK - LAGOS NW/NZ		1000	995
AVAILABLE DEPTHS			
STANDARD ¹	AT NO EXTRA CHARGE:		
1195mm	1180mm		

1 - CORNER MODULES NOT AVAILABLE



CORNER MODULES ARE AVAILABLE ONLY FOR 1180MM DEPTHS

ATTENTION!	DEVICE CONFIGURATION OPTIONS:	NET PRICE [EUR]	UM
DIFFERENCE IN STANDARD EQUIPMENT COMPARED TO THE BASE VARIANT	FREEZER VERSION [-6°C / -12°C]	ON REQUEST	LM
	BAIN-MARIE VERSION [+60°C / +90°C]	ON REQUEST	LM
	HEATING VERSION [+30°C / +60°C]	ON REQUEST	LM

STANDARD EQUIPMENT FOR BASE VARIANT	PLUG-IN	REMOTE
INTERNAL COOLING AGGREGATE	✓	✓
POWERED ONLY BY EXTERNAL AGGREGATE	✓	✓
DEVICE PREPARED FOR MULTIPLEXING	✓	✓
DYNAMIC (FORCED-AIR) COOLING	✓	✓
STRAIGHT FRONT GLASS, TELESCOPIC LIFTING SYSTEM	✓	✓
STORAGE CHAMBERS: MADE OF ACID-RESISTANT STAINLESS STEEL SHEET	✓	✓
DISPLAY AREA MADE OF ACID-RESISTANT STAINLESS STEEL SHEET	✓	✓
ALUMINUM PROFILES - SILVER/GOLD COLOUR	✓	✓
ECOLOGICAL POLYURETHANE FOAM INSULATION	✓	✓
INTERIOR LIGHTING: ENERGY-SAVING LED LIGHTING	✓	✓
WORKTOP: GRANITE (BIANCO/ROSA PORRINO)	✓	✓
ELECTRONIC INTERNAL THERMOMETER	✓	✓
ELECTRONIC TEMPERATURE CONTROLLER	✓	✓
DEFROSTING: AUTOMATIC	✓	✓
CONDENSATE DRAIN TO THE CONDENSATE CONTAINER	✓	✓
EXTERNAL CASE POWDER-COATED: RAL 9007, 9005, 9003	✓	✓
INSULATED SIDES MADE OF POWDER COATED STEEL SHEET (THICKNESS 45 MM)	✓	✓
FRONT ELEMENTS MADE OF POWDER-COATED STEEL SHEET: RAL 9007, 9005, 9003	✓	✓
FEET FOR LEVELING THE DEVICE	✓	✓
EXPANSION VALVE	✓	✓
COOLING CAPACITY REQUIREMENTS AT T0 = -15 °C [W/M3] AT AN AMBIENT TEMPERATURE OF +25 °C AND HUMIDITY OF 60%	✓	500 W
WARM AIRFLOW ON THE FRONTAL GLASS	✓	✓
DOUBLE ELECTRICAL SOCKET	✓	✓

OPTIONAL EQUIPMENT	REMARKS	UM	PRICE [EUR]
KICK-PLATE (PLINTH) MADE OF ACID-RESISTANT STAINLESS STEEL		LM	69
SIDES MADE OF ACID-RESISTANT STAINLESS STEEL		SET	355
FRONT MADE OF ACID-RESISTANT STAINLESS STEEL		LM	80
WOODEN SIDES	COLD COLOUR CHART	SET	259
WOODEN FRONT	COLD COLOUR CHART	LM	43
NIGHT BLINDS MADE OF PLEXI GLASS		LM	44
EVAPORATOR HEATERS		LM	35
PLEXI DIVIDER		PCS	34
ADDITIONAL EXPOSITION GLASS SHELF WITH ILLUMINATION - LED LIGHT		LM	87
STAINLESS STEEL FRONT CUSTOMER SHELF		LM	90
GLASS PARTITION	FIXED	PCS	63
BATH-TYPE EXPOSITION FOR FRESH FISH (+0C TO +2C)	EXCLUDES STORAGE AND STATIC COOLING	LM	224
KNIFE HOLDER	ONLY WITHOUT STORAGE CHAMBER	PCS	61
PAPER HOLDER	ONLY WITHOUT STORAGE CHAMBER	PCS	61
FRAME FOR GN CONTAINERS	IN PLACE OF EXPOSITION SURFACE	LM	52
ELECTRICAL SOCKET 230V		PCS	25
ELECTRICAL SOCKET 230V WITH RJ45		PCS	49
WORKTOP OVERLAY FOR SCALES		PCS	44
WORKTOP: BALMORAL	THICKNESS - 20MM	LM	59
WORKTOP: BLACK GRANITE	THICKNESS - 20MM	LM	93
WORKTOP: ACID-RESISTANT STAINLESS STEEL		LM	0
WORKTOP EXTENSION BY 3CM	20MM, APPLIES TO ROSA AND BIANCO	LM	15
SHOPPING TROLLEY BUMPER	STAINLESS STEEL PROFILE - FLOOR MOUNTED	LM	61
FRONT PANEL COLOUR: RAL CHOICE	COLD COLOUR CHART	LM	29
HOUSING POWDER-COATING: RAL CHOICE	COLD COLOUR CHART	LM	44
INTERIOR POWDER-COATING: RAL CHOICE	EXPOSITION AREA, AIR INLET/OUTLET GRILLE	LM	44
EVAPORATOR POWDER-COATING	REQUIRED FOR FRESH FISH VERSION	LM	79
EXPOSITION AREA OVERLAY (STEPPED)	OVERLAY TO EXPOSITION SURFACE	LM	63
EXPOSITION AREA- STEPPED - 2 STEPS		LM	67
EXPOSITION AREA- STEPPED - 3 STEPS		LM	79
ENGLISH PLUG FOR SOCKET		PCS	16
TEMPERATURE RECORDER (USB)		PCS	195
DOUBLE-SIDED MIRROR INSTEAD OF GLASS IN SIDE PANEL		PCS	52
CUTTING BOARD	OVERLAY TO WORKTOP	PCS	61
GLASS EXTENSION	DEVICE WITH HIGH GLASS	LM	76
BOTTOM HAUSING ILLUMINATED - LED		LM	38
CONDENSATE CONTAINER MADE OF ACID RESISTANT STAINLESS STEEL		PCS	22
AUTOMATIC CONDENSER VAPORIZATION (ELECTRICAL HEATER)	PLUG-IN ONLY (W25,W30,W37->2PCS)	PCS	157
GASTRO FEET (W20,W25 - 6 PCS; W37 - 8 PCS; REMAINING - 4 PCS)		PCS	14
SET OF WHEELS (CASTERS)		SET	108
WOODEN PALLET	CALCULATED TO LENGTH (NO DISCOUNT)	LM	15
WOODEN CRATE	CALCULATED TO LENGTH (NO DISCOUNT)	LM	40

OH18 DISPLAY AREA MADE OF ACID-RESISTANT SHEET METAL

MODULAR SYSTEM - SIMPLE ASSEMBLY OF LINES

REFRIGERANT: R290 - PLUG-IN; R452 - REMOTE

LIFT-UP FRONT GLASS

STANDARD FINISH

LIGHTING COLORS

FINISH OPTIONS TABLE:

	A	B	C	D	E
RAL9005	D2360	RAL9005	D2360	RAL9005	BIANCO
RAL9003	D375	RAL9003	D375	RAL9003	ROSA
RAL8016	D381	RAL8016	D381	RAL8016	BALMORAL
RAL7024	D9103	RAL7024	D9103	RAL7024	CZARNY/BLACK INOX
RAL7047	D9310	RAL7047	D9310	RAL7047	
RAL9007	D2380	RAL9007	D2380	RAL9007	
RAL5005	D2841	RAL5005	D2841	RAL5005	
RAL6029	D2713	RAL6029	D2713	RAL6029	
RAL3020	D2226	RAL3020	D2226	RAL3020	
RAL5003	D2609	RAL5003	D2609	RAL5003	
RAL6018	D1972	RAL6018	D1972	RAL6018	
RAL1019	D2842	RAL1019	D2842	RAL1019	
RAL2004	D3025	RAL2004	D3025	RAL2004	
RAL1021	D2610	RAL1021	D2610	RAL1021	
RAL7012	INOX	RAL7012	INOX	RAL7012	
RAL7016		RAL7016		RAL7016	
RAL1013		RAL1013		RAL1013	
RAL5010		RAL5010		RAL5010	
RAL7012		RAL7012		RAL7012	
RAL7035		RAL7035		RAL7035	
RAL7019		RAL7019		RAL7019	
RAL7043		RAL7043		RAL7043	
RAL9016		RAL9016		RAL9016	
RAL9011		RAL9011		RAL9011	
				INOX - H17	
				STAL OH18	

AVAILABILITY OF FINISHES NOT INCLUDED IN THE TABLE - ON REQUEST

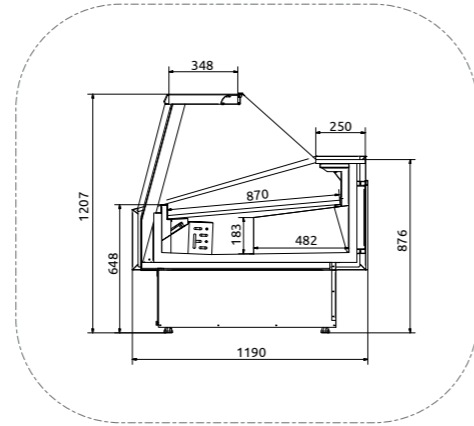
KYOTO (PLUG-IN / REMOTE)

+2°C ÷ +8°C

KYOTO

EXW BOCHNIA / EUR / VALID FROM: 01/02/24

CONTENTS



KYOTO			
PLUG-IN			
MODULE	ID FOR ORDERING	LENGTH [mm]	NET PRICE [EUR]
W-12	KYOTO	1330	2 997
W-15	KYOTO	1580	3 244
W-18	KYOTO	1870	3 674
W-20	KYOTO	2070	3 854
W-25	KYOTO	2570	4 345
W-30	KYOTO	3070	5 074
W-37	KYOTO	3840	5 820
REMOTE			
MODULE	ID FOR ORDERING	LENGTH [mm]	NET PRICE [EUR]
W-12	KYOTO B/A	1240	2 779
W-15	KYOTO B/A	1490	3 031
W-18	KYOTO B/A	1780	3 433
W-20	KYOTO B/A	1980	3 614
W-25	KYOTO B/A	2480	4 089
W-30	KYOTO B/A	2980	4 613
W-37	KYOTO B/A	3750	5 443
SIDE PANEL THICKNESS: 45 mm			
CASH DESK			
LPK - PP-k-v		1000	995
LPK - PP-k-v NW/NZ		1000	995



STANDARD EQUIPMENT FOR BASE VARIANT	PLUG-IN	REMOTE
INTERNAL COOLING AGGREGATE	✓	✓
POWERED ONLY BY EXTERNAL AGGREGATE	✓	✓
DEVICE PREPARED FOR MULTIPLEXING	✓	✓
DYNAMIC (FORCED-AIR) COOLING	✓	✓
STRAIGHT FRONT GLASS, TELESCOPIC LIFTING SYSTEM	✓	✓
STORAGE CHAMBERS: MADE OF ACID-RESISTANT STAINLESS STEEL SHEET	✓	✓
DISPLAY AREA MADE OF ACID-RESISTANT STAINLESS STEEL SHEET	✓	✓
ALUMINUM PROFILES - SILVER/GOLD COLOUR	✓	✓
ECOLOGICAL POLYURETHANE FOAM INSULATION	✓	✓
INTERIOR LIGHTING: ENERGY-SAVING LED LIGHTING	✓	✓
WORKTOP: GRANITE (BIANCO/ROSA PORRINO)	✓	✓
ELECTRONIC INTERNAL THERMOMETER	✓	✓
ELECTRONIC TEMPERATURE CONTROLLER	✓	✓
DEFROSTING: AUTOMATIC	✓	✓
CONDENSATE DRAIN TO THE CONDENSATE CONTAINER	✓	✓
EXTERNAL CASE POWDER-COATED: RAL 9007, 9005, 9003	✓	✓
INSULATED SIDES MADE OF POWDER COATED STEEL SHEET (THICKNESS 45 MM)	✓	✓
FRONT ELEMENTS MADE OF POWDER-COATED STEEL SHEET: RAL 9007, 9005, 9003	✓	✓
FEET FOR LEVELING THE DEVICE	✓	✓
EXPANSION VALVE	✓	✓
COOLING CAPACITY REQUIREMENTS AT T0 = -15 °C [W/M6] AT AN AMBIENT TEMPERATURE OF +25 °C AND HUMIDITY OF 60%	✓	500 W
WARM AIRFLOW ON THE FRONTAL GLASS	✓	✓
DOUBLE ELECTRICAL SOCKET	✓	✓

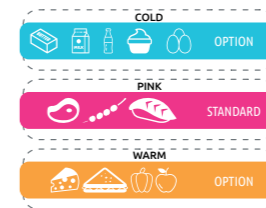
OPTIONAL EQUIPMENT	REMARKS	UM	PRICE [EUR]
SIDES MADE OF ACID-RESISTANT STAINLESS STEEL		SET	355
FRONT MADE OF ACID-RESISTANT STAINLESS STEEL		LM	80
WOODEN SIDES	COLD COLOUR CHART	SET	259
WOODEN FRONT	COLD COLOUR CHART	LM	43
NIGHT BLINDS MADE OF PLEXI GLASS		LM	44
EVAPORATOR HEATERS		LM	35
PLEXI DIVIDER		PCS	34
ADDITIONAL EXPOSITION GLASS SHELF WITH ILLUMINATION - LED LIGHT		LM	87
STAINLESS STEEL FRONT CUSTOMER SHELF		LM	90
GLASS PARTITION	FIXED	PCS	63
BATH-TYPE EXPOSITION FOR FRESH FISH (+0C TO +2C)	EXCLUDES STORAGE AND STATIC COOLING	LM	224
KNIFE HOLDER	ONLY WITHOUT STORAGE CHAMBER	PCS	61
PAPER HOLDER	ONLY WITHOUT STORAGE CHAMBER	PCS	61
FRAME FOR GN CONTAINERS	IN PLACE OF EXPOSITION SURFACE	LM	52
ELECTRICAL SOCKET 230V		PCS	25
ELECTRICAL SOCKET 230V WITH RJ45		PCS	49
WORKTOP OVERLAY FOR SCALES		PCS	44
WORKTOP: BALMORAL	THICKNESS - 20MM	LM	59
WORKTOP: BLACK GRANITE	THICKNESS - 20MM	LM	93
WORKTOP: ACID-RESISTANT STAINLESS STEEL		LM	0
WORKTOP EXTENSION BY SCM	20MM, APPLIES TO ROSA AND BIANCO	LM	15
SHOPPING TROLLEY BUMPER	STAINLESS STEEL PROFILE - FLOOR MOUNTED	LM	61
FRONT PANEL COLOUR: RAL CHOICE	COLD COLOUR CHART	LM	29
HOUSING POWDER-COATING: RAL CHOICE	COLD COLOUR CHART	LM	44
INTERIOR POWDER-COATING: RAL CHOICE	EXPOSITION AREA, AIR INLET/OUTLET GRILLE	LM	44
EVAPORATOR POWDER-COATING	REQUIRED FOR FRESH FISH VERSION	LM	79
EXPOSITION AREA OVERLAY (STEPPED)	OVERLAY TO EXPOSITION SURFACE	LM	63
EXPOSITION AREA- STEPPED - 2 STEPS		LM	67
EXPOSITION AREA- STEPPED - 3 STEPS		LM	79
ENGLISH PLUG FOR SOCKET		PCS	16
TEMPERATURE RECORDER (USB)		PCS	195
DOUBLE-SIDED MIRROR INSTEAD OF GLASS IN SIDE PANEL		PCS	52
CUTTING BOARD	OVERLAY TO WORKTOP	PCS	61
GLASS EXTENSION	DEVICE WITH HIGH GLASS	LM	76
BOTTOM HOUSING ILLUMINATED - LED		LM	38
CONDENSATE CONTAINER MADE OF ACID-RESISTANT STAINLESS STEEL		PCS	22
AUTOMATIC CONDENSER VAPORIZATION (ELECTRICAL HEATER)	PLUG-IN ONLY (W25,W30,W37->2PCS)	PCS	157
GASTRO FEET (W20,W25 - 6 PCS; W37-8 PCS; REMAINING - 4 PCS)		PCS	14
SET OF WHEELS (CASTERS)		SET	108
WOODEN PALLET	CALCULATED TO LENGTH (NO DISCOUNT)	LM	15
WOODEN CRATE	CALCULATED TO LENGTH (NO DISCOUNT)	LM	40

STANDARD FINISH



- A - FRONT
- B - SIDE PANEL
- C - BASE
- D - GRANITE COUNTER WORKTOP
- E - ALUMINUM PROFILES

LIGHTING COLORS



FINISH OPTIONS TABLE:

	A	B	C	D	E
RAL9005	D2360	RAL9005	D2360	RAL9005	BIANCO
RAL9003	D375	RAL9003	D375	RAL9003	ROSA
RAL8016	D381	RAL8016	D381	RAL8016	BALMORAL
RAL7024	D9103	RAL7024	D9103	RAL7024	CZARNY BLACK
RAL7047	D9310	RAL7047	D9310	RAL7047	INOX
RAL9007	D2380	RAL9007	D2380	RAL9007	
RAL505	D2841	RAL505	D2841	RAL505	
RAL6029	D2713	RAL6029	D2713	RAL6029	
RAL3020	D2226	RAL3020	D2226	RAL3020	
RAL3003	D2609	RAL3003	D2609	RAL3003	
RAL6018	D1972	RAL6018	D1972	RAL6018	
RAL1019	D2842	RAL1019	D2842	RAL1019	
RAL2004	D3025	RAL2004	D3025	RAL2004	
RAL1021	D2610	RAL1021	D2610	RAL1021	
RAL7012	INOX	RAL7012	INOX	RAL7012	
RAL7016		RAL7016		RAL7016	
RAL1013		RAL1013		RAL1013	
RAL5010		RAL5010		RAL5010	
RAL7012		RAL7012		RAL7012	
RAL7035		RAL7035		RAL7035	
RAL7019		RAL7019		RAL7019	
RAL7043		RAL7043		RAL7043	
RAL9016		RAL9016		RAL9016	
RAL9011		RAL9011		RAL9011	

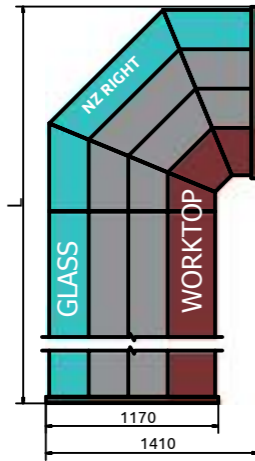
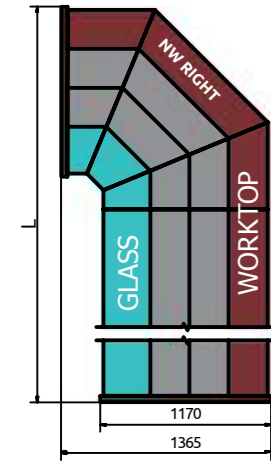
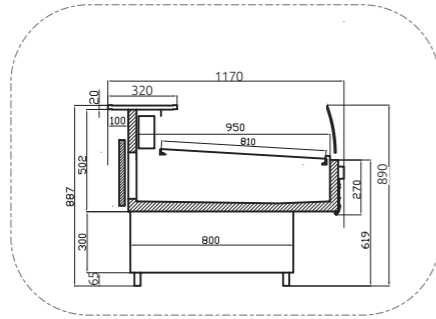
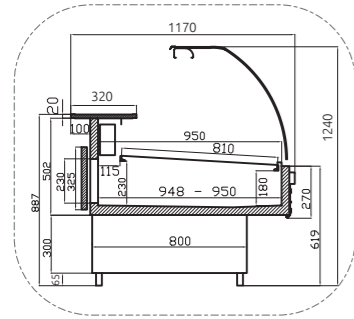
AVAILABILITY OF FINISHES NOT INCLUDED IN THE TABLE - ON REQUEST

OH18 DISPLAY AREA MADE OF ACID-RESISTANT SHEET METAL

MODULAR SYSTEM - SIMPLE ASSEMBLY OF LINES

REFRIGERANT: R290 - PLUG-IN; R452 - REMOTE

LIFT-UP FRONT GLASS



BASE VARIANT OF DEVICE

PLUG-IN			
MODULE	ID FOR ORDERING	LENGTH [mm]	NET PRICE [EUR]
W-10	NG	1080	1 905
W-12	NG	1250	1 956
W-15	NG	1550	2 077
W-18	NG	1850	2 260
W-20	NG	2050	2 382
W-24	NG	2400	2 747
W-28	NG	2800	3 489
W-30	NG	3000	3 600
W-37	NG	3860	3 725
W-13 NW	NG	1365	2 382
W-13 NZ-v	NG	1410	2 382
REMOTE			
MODULE	ID FOR ORDERING	LENGTH [mm]	NET PRICE [EUR]
W-10	NG B/A	970	1 695
W-12	NG B/A	1140	1 747
W-15	NG B/A	1440	1 820
W-18	NG B/A	1740	2 025
W-20	NG B/A	1940	2 148
W-24	NG B/A	2290	2 493
W-28	NG B/A	2690	3 067
W-30	NG B/A	2890	3 137
W-37	NG B/A	3750	3 265
W-13 NW	NG B/A	1310	2 148
W-13 NZ-v	NG B/A	1345	2 148
SIDE PANEL THICKNESS 45 mm			
CASH DESK			
LPK - NG		1000	737
LPK - NG NW/NZ		1000	778

STANDARD EQUIPMENT FOR BASE VARIANT

	PLUG-IN	REMOTE
INTERNAL COOLING UNIT	✓	✓
POWERED ONLY BY AN EXTERNAL UNIT	✓	✓
DEVICE ADAPTED FOR SERIES CONNECTION	✓	✓
STATIC COOLING (DOES NOT APPLY TO CORNERS)	✓	✓
FRONT GLASS CURVED, TILTABLE	✓	✓
NIGHT BLINDS	✓	✓
STORAGE CHAMBERS: MADE OF ALUMINUM SHEET	✓	✓
DISPLAY AREA: MADE OF ACID-RESISTANT STAINLESS STEEL SHEET OH18	✓	✓
ALUMINUM PROFILES - SILVER/GOLD COLOR	✓	✓
ECO-FRIENDLY INSULATION MADE OF POLYURETHANE FOAM	✓	✓
INTERIOR LIGHTING: ENERGY-SAVING LED LIGHTING	✓	✓
WORKTOP: GRANITE	✓	✓
INTERNAL ELECTRONIC THERMOMETER	✓	✓
ELECTRONIC TEMPERATURE CONTROLLER	✓	✓
DEFROSTING: AUTOMATIC	✓	✓
CONDENSATE DRAIN TO THE CONDENSATE CONTAINER	✓	✓
EXTERNAL BODY POWDER COATED: RAL9007, RAL9005, RAL9003	✓	✓
SIDES MADE OF PLASTIC - THICKNESS 55 MM (GRAY OR BROWN)	✓	✓
FRONT ELEMENTS MADE OF LACQUERED SHEET: RAL9007, RAL9005, RAL9003	✓	✓
LEGS ALLOWING FOR LEVELING OF THE DEVICE	✓	✓
COOLING POWER DEMAND: T B= -15°C (W/MB) AT AMBIENT TEMP. +25°C AND RELATIVE HUMIDITY 60%	-	400 W

OPTIONAL EQUIPMENT

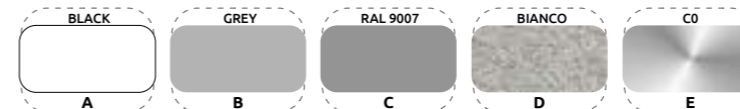
	REMARKS	UM	PRICE [EUR]
WIDE ALUMINUM SERVING SHELF	2 ROWS OF FLUORESCENT LIGHTS	LM	66
DYNAMIC COOLING WITHOUT STORAGE CHAMBERS	DYNAMIC AIR BLOW	LM	110
DYNAMIC COOLING WITH STORAGE CHAMBERS	DYNAMIC AIR BLOW	LM	118
CHAMBER MADE OF ACID-RESISTANT STAINLESS STEEL OH18		LM	94
CHAMBER BOTTOM MADE OF STAINLESS STEEL H17		LM	40
AIR INLET AND OUTLET MADE OF ACID-RESISTANT STAINLESS STEEL OH18	EVAPORATOR GRILLE + SUCTION GRILLE	LM	24
FRESH FISH TRAY FROM OH18 + EVAPORATOR PAINTING (EXCLUDES CHAMBERS)	REQUIRED DYNAMIC COOLING	LM	214
EVAPORATOR HEATER	RECOMMENDED IN GRAVITY DISPLAY CASES	LM	35
MOVABLE PARTITION		LM	34
UNCOOLED GLASS SHELF		LM	24
STAINLESS STEEL FRONT CUSTOMER SHELF	FRONT SHELF FOR CUSTOMERS	LM	90
GLASS PARTITION II-K (DISPLAY DIVISION + CHAMBER DIVISION)	FIXED	PCS	82
SERVING SHELF ON GLASS (ACID-RESISTANT STAINLESS)		LM	59
FINISHING WITH VENEER		LM	32
KNIFE HOLDER	ONLY WITHOUT STORAGE CHAMBERS	PCS	61
PAPER HOLDER	ONLY WITHOUT STORAGE CHAMBERS	PCS	61
FRAME FOR GN CONTAINERS (WITHOUT CONTAINERS)	INSTEAD OF DISPLAY SHELF	LM	75
ELECTRICAL SOCKET 230V		PCS	25
ELECTRICAL SOCKET 230V WITH RJ45		PCS	49
OVERLAY FOR WORKTOP UNDER SCALE		PCS	44
BALMORAL WORKTOP	THICKNESS 20MM	LM	59
BLACK WORKTOP	THICKNESS 20MM	LM	93
ACID-RESISTANT STAINLESS STEEL WORKTOP		LM	0
GRANITE WORKTOP EXTENSION BY SCM	20MM, APPLIES TO ROSA PORINO AND BIANCO	LM	15
TROLLEY BUMPER		LM	61
FRONT PAINTING OF THE COUNTER IN RAL COLOR	COLD COLOR SCHEME	LM	29
BODY PAINTING OF THE COUNTER IN RAL COLOR	COLD COLOR SCHEME	LM	44
INTERIOR PAINTING OF THE COUNTER IN RAL COLOR	DISPLAY SHELF, AIR INLET AND OUTLET	LM	44
EVAPORATOR PAINTING	REQUIRED FOR FRESH FISH TRAY	LM	79
STEP TO DISPLAY SURFACE	SHELF OVERLAY	LM	63
2-LEVEL SHELF		LM	67
3-LEVEL SHELF		LM	79
ENGLISH PLUG		PCS	16
TEMPERATURE RECORDER (USB)		PCS	195
CUTTING BOARD		PCS	61
LOWER BODY LIGHTING - LED		LM	38
CONDENSATE CONTAINER MADE OF ACID-RESISTANT STAINLESS STEEL		PCS	22
AUTOMATIC CONDENSATE EVAPORATION - ELECTRIC EVAPORATOR	ONLY PLUG-IN (W25, W30, W37 -> 2 PIECES)	PCS	157
GASTRO LEGS (W20, W25 - 6 PCS; W37 - 8 PCS; OTHERS - 4 PCS)		PCS	14
SET OF WHEELS		SET	108
PALETTE	CALCULATED TO LENGTH (NO DISCOUNT)	LM	15
WOODEN BDX	CALCULATED TO LENGTH (NO DISCOUNT)	LM	40

ATTENTION!	DEVICE CONFIGURATION OPTIONS:	NET PRICE [EUR]	UM	ID FOR ORDERING
DIFFERENCE IN STANDARD EQUIPMENT COMPARED TO THE BASE VARIANT	LOW GLASS /INCLUDES DYNAMIC COOLING/	+116	LM	NG-v-k
	LOW GLASS + NO STORAGE COMPARTMENTS /INCLUDES DYNAMIC COOLING/	+109	LM	NG-v
	FREEZER VERSION [0°C / -6°C] /ADDED TO PLUG-IN PRICE/	+453	LM	NG-v MR
	BAIN-MARIE VERSION [+60°C / +90°C] /ADDED TO PLUG-IN PRICE/	+214	LM	NG BAIN-MARIE
	HEATED VERSION [+30°C / +60°C] /ADDED TO PLUG-IN PRICE/	+35	LM	NG HEATED

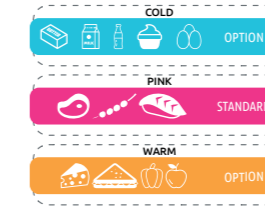
STANDARD FINISH



- A - BUMPER
- B - SIDE PANELS
- C - FRONT
- D - COUNTER WORKTOP
- E - ALUMINUM PROFILES



LIGHTING COLORS



FINISH OPTIONS TABLE:

A	B	C	D	E
GREY	GREY	RAL9005	D2360	BIANCO
BLACK	BLACK	RAL9003	D375	ROSA
RED	BROWN	RAL9016	D381	BALMORAL
		RAL7024	D9183	BLACK
		RAL7047	D9310	INOX
		RAL9007	D2380	
		RAL9005	D2941	
		RAL9029	D2713	
		RAL3020	D2226	
		RAL3003	D2609	
		RAL6018	D1972	
		RAL1019	D2842	
		RAL2004	D3025	
		RAL1021	D2610	
		RAL7012	INOX	
		RAL7016		
		RAL1015		
		RAL5010		
		RAL7012		
		RAL7035		
		RAL7019		
		RAL7043		
		RAL9016		
		RAL9011		

AVAILABILITY OF FINISHES NOT INCLUDED IN THE TABLE - ON REQUEST



BASE VARIANT OF DEVICE

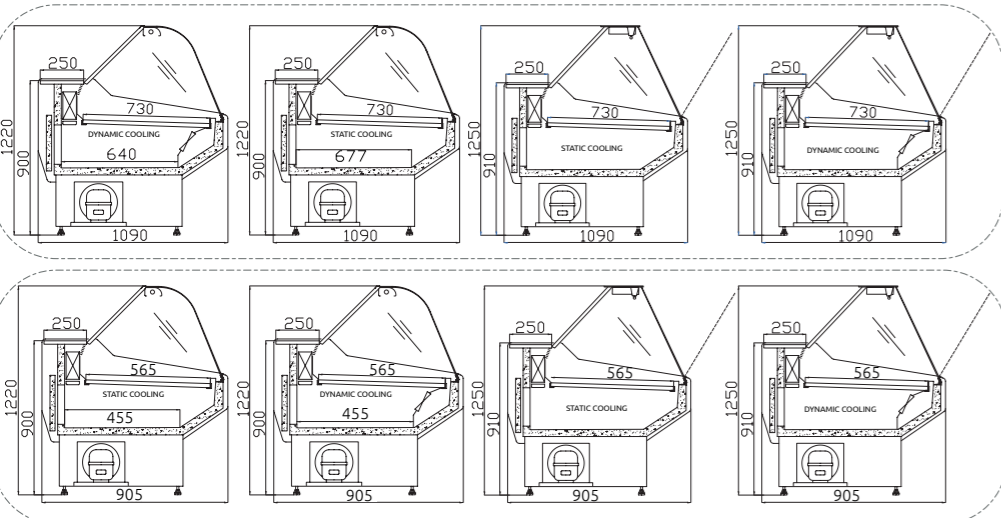
PLUG-IN			
MODULE	ID FOR ORDERING	LENGTH [mm]	NET PRICE [EUR]
W-10	SGw	1070	1 712
W-12	SGw	1240	1 764
W-14	SGw	1440	1 821
W-15	SGw	1540	1 884
W-16	SGw	1640	1 924
W-18	SGw	1840	2 015
W-20	SGw	2040	2 073
W-24	SGw	2390	2 455
W-28	SGw	2790	3 273
W-30	SGw	2990	3 336
W-37	SGw	3850	3 461
REMOTE			
MODULE	ID FOR ORDERING	LENGTH [mm]	NET PRICE [EUR]
W-10	Sgw B/A	970	1 491
W-12	Sgw B/A	1140	1 543
W-14	Sgw B/A	1340	1 602
W-15	Sgw B/A	1440	1 644
W-16	Sgw B/A	1540	1 685
W-18	Sgw B/A	1740	1 765
W-20	Sgw B/A	1940	1 824
W-24	Sgw B/A	2290	2 186
W-28	Sgw B/A	2690	2 831
W-30	Sgw B/A	2890	2 852
W-37	Sgw B/A	3750	2 979
SIDE PANEL THICKNESS 45 mm			
CASH DESK			
LPK - W		1000	708
LPK - W NW/NZ		1000	726
AVAILABLE DEPTHS			
	STANDARD	AT NO EXTRA CHARGE	
	1090mm	905mm ²	
1 - CORNER MODULE UNAVAILABLE			

STANDARD EQUIPMENT FOR BASE VARIANT

	PLUG-IN	REMOTE
INTERNAL REFRIGERATION UNIT	✓	✓
REFRIGERATION POWERED EXCLUSIVELY BY AN EXTERNAL UNIT	✓	✓
DEVICE DESIGNED FOR MODULAR ASSEMBLY	✓	✓
STATIC COOLING (EXCLUDES CORNERS; DYNAMIC COOLING - OPTIONAL)	✓	✓
CURVED, TILTABLE FRONT GLASS	✓	✓
NIGHT COVERS	✓	✓
STORAGE COMPARTMENTS: MADE OF ALUMINUM SHEET	✓	✓
DISPLAY AREA: MADE OF STAINLESS STEEL SHEET	✓	✓
ALUMINUM PROFILES - SILVER/GOLD COLOR	✓	✓
ECOLOGICAL POLYURETHANE FOAM INSULATION	✓	✓
INTERIOR LIGHTING: ENERGY-EFFICIENT LED LIGHTING	✓	✓
WORKING TOP: GRANITE	✓	✓
INTERNAL ELECTRONIC THERMOMETER	✓	✓
ELECTRONIC TEMPERATURE CONTROLLER	✓	✓
DEFROSTING: AUTOMATIC	✓	✓
CONDENSATE DRAIN TO A CONDENSATE CONTAINER	✓	✓
POWDER-COATED EXTERNAL BODY: RAL9007, RAL9005, RAL9003	✓	✓
SIDES MADE OF PLASTIC - 50 MM THICKNESS (GRAY OR BROWN)	✓	✓
FRONT ELEMENTS MADE OF PLASTIC: COLOR CHOICE (COLD COLOR RANGE)	✓	✓
LEGS ALLOWING FOR DEVICE LEVELING	✓	✓
REFRIGERATION POWER REQUIREMENT: T 0= -15°C (W/MB) AT AMBIENT TEMP. +25°C AND 60% RELATIVE HUMIDITY	-	400 W

OPTIONAL EQUIPMENT

	REMARKS	UM	PRICE [EUR]
DYNAMIC COOLING WITHOUT STORAGE CHAMBERS	DYNAMIC AIR BLOW	LM	110
DYNAMIC COOLING WITH STORAGE CHAMBERS	DYNAMIC AIR BLOW	LM	118
CHAMBER MADE OF ACID-RESISTANT STAINLESS STEEL OH18		LM	94
CHAMBER BOTTOM MADE OF STAINLESS STEEL H17		LM	40
AIR INLET AND OUTLET MADE OF ACID-RESISTANT STAINLESS STEEL OH18	EVAPORATOR GRILLE + SUCTION GRILLE	LM	24
FRESH FISH TRAY FROM OH18 + EVAPORATOR PAINTING (EXCLUDES CHAMBERS)	REQUIRED DYNAMIC COOLING	LM	214
EVAPORATOR HEATER	RECOMMENDED IN GRAVITY DISPLAY CASES	LM	35
MOVABLE PARTITION		LM	34
UNCOOLED GLASS SHELF		LM	24
STAINLESS STEEL FRONT CUSTOMER SHELF	FRONT SHELF FOR CUSTOMERS	LM	90
GLASS PARTITION II-K (DISPLAY DIVISION + CHAMBER DIVISION)	FIXED	PCS	82
SERVING SHELF ON GLASS (ACID-RESISTANT STAINLESS)		LM	59
FINISHING WITH VENEER		LM	32
KNIFE HOLDER	ONLY WITHOUT STORAGE CHAMBERS	PCS	61
PAPER HOLDER	ONLY WITHOUT STORAGE CHAMBERS	PCS	61
FRAME FOR GN CONTAINERS (WITHOUT CONTAINERS)	INSTEAD OF DISPLAY SHELF	LM	75
ELECTRICAL SOCKET 230V		PCS	25
ELECTRICAL SOCKET 230V WITH RJ45		PCS	49
OVERLAY FOR WORKTOP UNDER SCALE		PCS	44
BALMORAL WORKTOP	THICKNESS 20MM	LM	59
BLACK WORKTOP	THICKNESS 20MM	LM	93
ACID-RESISTANT STAINLESS STEEL WORKTOP		LM	0
GRANITE WORKTOP EXTENSION BY 5CM	20MM, APPLIES TO ROSA PORINO AND BIANCO	LM	15
TROLLEY BUMPER		LM	61
FRONT PAINTING OF THE COUNTER IN RAL COLOR	COLD COLOR SCHEME	LM	29
BODY PAINTING OF THE COUNTER IN RAL COLOR	COLD COLOR SCHEME	LM	44
INTERIOR PAINTING OF THE COUNTER IN RAL COLOR	DISPLAY SHELF, AIR INLET AND OUTLET	LM	44
EVAPORATOR PAINTING	REQUIRED FOR FRESH FISH TRAY	LM	79
STEP TO DISPLAY SURFACE	SHELF OVERLAY	LM	63
2-LEVEL SHELF		LM	67
3-LEVEL SHELF		LM	79
ENGLISH PLUG		PCS	16
TEMPERATURE RECORDER (USB)		PCS	195
CUTTING BOARD		PCS	61
LOWER BODY LIGHTING - LED		LM	38
CONDENSATE CONTAINER MADE OF ACID-RESISTANT STAINLESS STEEL		PCS	22
AUTOMATIC CONDENSATE EVAPORATION - ELECTRIC EVAPORATOR	ONLY PLUG-IN (W25, W30, W37 -> 2 PIECES)	PCS	157
GASTRO LEGS (W20, W25 - 6 PCS; W37 - 8 PCS; OTHERS - 4 PCS)		PCS	14
SET OF WHEELS		SET	108
PALETTE	CALCULATED TO LENGTH (NO DISCOUNT)	LM	15
WOODEN BOX	CALCULATED TO LENGTH (NO DISCOUNT)	LM	40

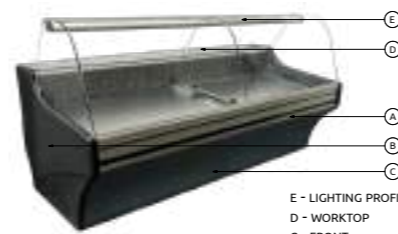


ATTENTION!
DIFFERENCE IN STANDARD EQUIPMENT COMPARED TO THE BASE VARIANT

DEVICE CONFIGURATION OPTIONS:

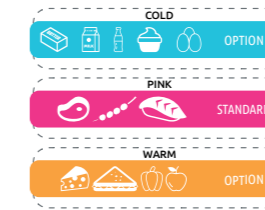
	NET PRICE [EUR]	UM	ID FOR ORDERING
DEPTH 905mm	AT NO COST	LM	SGw905
STRAIGHT FRONT GLASS, BOTTOM HINGE OPENING	-23	LM	Sw
STRAIGHT FRONT GLASS, BOTTOM HINGE OPENING, DEPTH 905mm	-46	LM	Sw905
FREEZING VERSION [0°C / -6°C]	+407	LM	SGw-y MR

STANDARD FINISH



E - LIGHTING PROFILE
D - WORKTOP
C - FRONT
B - SIDE PANEL
A - ALUMINUM PROFILES

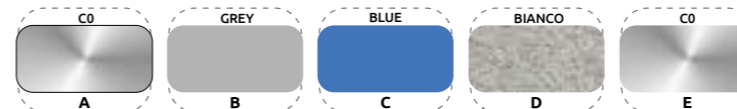
LIGHTING COLORS



FINISH OPTIONS TABLE:

A	B	C	D	E
CO	GREY	BLUE	BIANCO	CO
C23	BLACK	RED	ROSA	C23
	BROWN	GOLD	BALMORAL	RAL9005
		GREEN	BLACK	
		SILVER	INOX	
		ORANGE		

AVAILABILITY OF FINISHES NOT INCLUDED IN THE TABLE - ON REQUEST



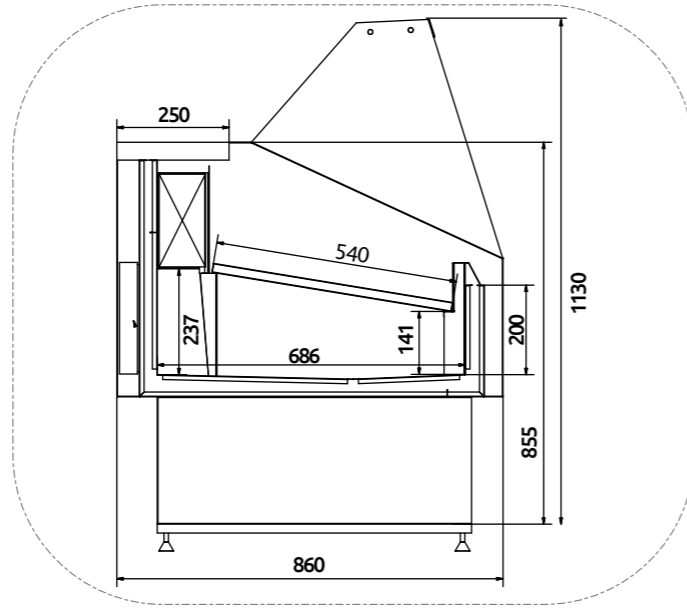
MODULAR SYSTEM - SIMPLE ASSEMBLY OF LINES



REFRIGERANT: R290 - PLUG-IN; R452 - REMOTE



BOTTOM HINGE FRONT GLASS OPENING



ARIZONA			
MODULE	ID FOR ORDERING	LENGTH [mm]	NET PRICE [EUR]
W-10	ARIZONA	1030	1 614
W-12	ARIZONA	1230	1 666
W-14	ARIZONA	1430	1 729
W-15	ARIZONA	1530	1 764
W-16	ARIZONA	1630	1 792
W-18	ARIZONA	1830	1 924
W-20	ARIZONA	2030	1 981
W-25	ARIZONA	2380	2 360
SIDE PANEL THICKNESS: 45 mm			
CASH DESK			
LPK - W*860		1000	726

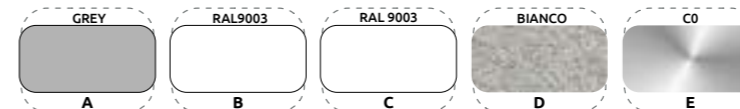
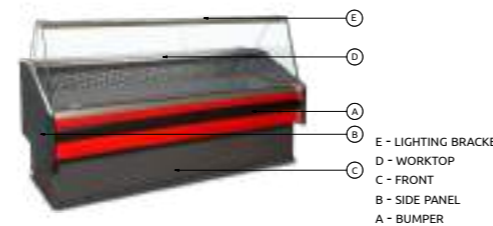
STANDARD EQUIPMENT FOR BASE VARIANT

	PLUG-IN	REMOTE
INTERNAL REFRIGERATION UNIT	✓	-
REFRIGERATION POWERED EXCLUSIVELY BY AN EXTERNAL UNIT	-	✓
DEVICE DESIGNED FOR MODULAR ASSEMBLY	✓	✓
STATIC COOLING (EXCLUDES CORNERS; DYNAMIC COOLING - OPTIONAL)	✓	✓
STRAIGHT, TILTABLE FRONT GLASS	✓	✓
NIGHT COVERS	✓	✓
STORAGE COMPARTMENTS: MADE OF ALUMINUM SHEET	✓	✓
DISPLAY AREA: MADE OF STAINLESS STEEL SHEET	✓	✓
ALUMINUM PROFILES - SILVER/GOLD COLOR	✓	✓
ECOLOGICAL POLYURETHANE FOAM INSULATION	✓	✓
INTERIOR LIGHTING: ENERGY-EFFICIENT LED LIGHTING	✓	✓
WORKING TOP: GRANITE	✓	✓
INTERNAL ELECTRONIC THERMOMETER	✓	✓
ELECTRONIC TEMPERATURE CONTROLLER	✓	✓
DEFROSTING: AUTOMATIC	✓	✓
CONDENSATE DRAIN TO A CONDENSATE CONTAINER	✓	✓
POWDER-COATED EXTERNAL BODY: RAL9007, RAL9005, RAL9003	✓	✓
SIDES MADE OF PLASTIC - 50 MM THICKNESS (GRAY OR BROWN)	✓	✓
FRONT ELEMENTS MADE OF PLASTIC: COLOR CHOICE (COLD COLOR RANGE)	✓	✓
LEGS ALLOWING FOR DEVICE LEVELING	✓	✓
REFRIGERATION POWER REQUIREMENT: T ₀ = -15°C [W/M ³] AT AMBIENT TEMP. +25°C AND 60% RELATIVE HUMIDITY	-	400 W

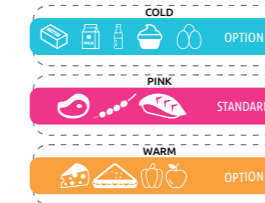
OPTIONAL EQUIPMENT

	REMARKS	UM	PRICE [EUR]
DYNAMIC COOLING WITHOUT STORAGE CHAMBERS	DYNAMIC AIR BLOW	LM	110
DYNAMIC COOLING WITH STORAGE CHAMBERS	DYNAMIC AIR BLOW	LM	118
CHAMBER MADE OF ACID-RESISTANT STAINLESS STEEL OH18		LM	94
CHAMBER BOTTOM MADE OF STAINLESS STEEL H17		LM	40
AIR INLET AND OUTLET MADE OF ACID-RESISTANT STAINLESS STEEL OH18	EVAPORATOR GRILLE + SUCTION GRILLE	LM	24
FRESH FISH TRAY FROM OH18 + EVAPORATOR PAINTING (EXCLUDES CHAMBERS)	REQUIRED DYNAMIC COOLING	LM	214
EVAPORATOR HEATER	RECOMMENDED IN GRAVITY DISPLAY CASES	LM	35
MOVABLE PARTITION		LM	34
UNCOOLED GLASS SHELF		LM	24
STAINLESS STEEL FRONT CUSTOMER SHELF	FRONT SHELF FOR CUSTOMERS	LM	90
GLASS PARTITION II-K (DISPLAY DIVISION + CHAMBER DIVISION)	FIXED	PCS	82
SERVING SHELF ON GLASS (ACID-RESISTANT STAINLESS)		LM	59
FINISHING WITH VENEER		LM	32
KNIFE HOLDER	ONLY WITHOUT STORAGE CHAMBERS	PCS	61
PAPER HOLDER	ONLY WITHOUT STORAGE CHAMBERS	PCS	61
FRAME FOR GN CONTAINERS (WITHOUT CONTAINERS)	INSTEAD OF DISPLAY SHELF	LM	75
ELECTRICAL SOCKET 230V		PCS	25
ELECTRICAL SOCKET 230V WITH RJ45		PCS	49
OVERLAY FOR WORKTOP UNDER SCALE		PCS	44
BALMORAL WORKTOP	THICKNESS 20MM	LM	59
BLACK WORKTOP	THICKNESS 20MM	LM	93
ACID-RESISTANT STAINLESS STEEL WORKTOP		LM	0
GRANITE WORKTOP EXTENSION BY SCM	20MM, APPLIES TO ROSA PORINO AND BIANCO	LM	15
TROLLEY BUMPER		LM	61
FRONT PAINTING OF THE COUNTER IN RAL COLOR	COLD COLOR SCHEME	LM	29
BODY PAINTING OF THE COUNTER IN RAL COLOR	COLD COLOR SCHEME	LM	44
INTERIOR PAINTING OF THE COUNTER IN RAL COLOR	DISPLAY SHELF, AIR INLET AND OUTLET	LM	44
EVAPORATOR PAINTING	REQUIRED FOR FRESH FISH TRAY	LM	79
STEP TO DISPLAY SURFACE	SHELF OVERLAY	LM	63
2-LEVEL SHELF		LM	67
3-LEVEL SHELF		LM	79
ENGLISH PLUG		PCS	16
TEMPERATURE RECORDER (USB)		PCS	195
CUTTING BOARD		PCS	61
LOWER BODY LIGHTING - LED		LM	38
CONDENSATE CONTAINER MADE OF ACID-RESISTANT STAINLESS STEEL		PCS	22
AUTOMATIC CONDENSATE EVAPORATION - ELECTRIC EVAPORATOR	ONLY PLUG-IN (W25, W30, W37 -> 2 PIECES)	PCS	157
GASTRO LEGS (W20, W25: 6 PCS; W37: 8 PCS; OTHERS: 4 PCS)		PCS	14
SET OF WHEELS		SET	108
PALETTE	CALCULATED TO LENGTH (NO DISCOUNT)	LM	15
WOODEN BOX	CALCULATED TO LENGTH (NO DISCOUNT)	LM	40

STANDARD FINISH



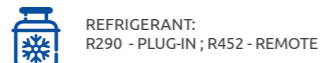
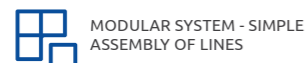
LIGHTING COLORS

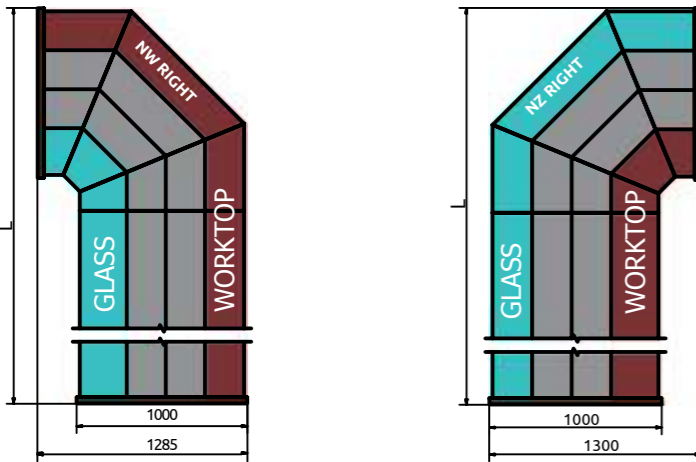
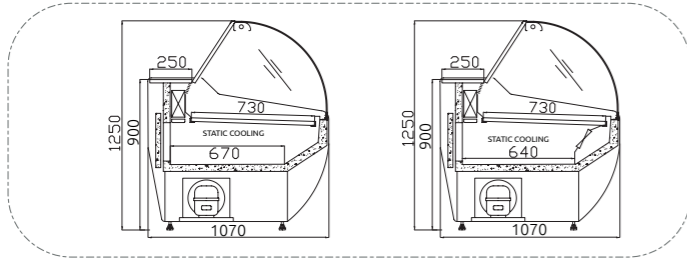


FINISH OPTIONS TABLE:

A	B	C	D	E
GREY	RAL9005	RAL9005	BIANCO	CO
BLACK	RAL9003	RAL9003	ROSA	RAL9005
RED	RAL8016	RAL8016	BALMORAL	
	RAL7024	RAL7024	BLACK	
	RAL7047	RAL7047	INOX	
	RAL9007	RAL9007		
	RAL5005	RAL5005		
	RAL6029	RAL6029		
	RAL3020	RAL3020		
	RAL3003	RAL3003		
	RAL6018	RAL6018		
	RAL1019	RAL1019		
	RAL2004	RAL2004		
	RAL1021	RAL1021		
	RAL7012	RAL7012		
	RAL7016	RAL7016		
	RAL1013	RAL1013		
	RAL5010	RAL5010		
	RAL7012	RAL7012		
	RAL7035	RAL7035		
	RAL7019	RAL7019		
	RAL7043	RAL7043		
	RAL9016	RAL9016		
	RAL9011	RAL9011		

AVAILABILITY OF FINISHES NOT INCLUDED IN THE TABLE - ON REQUEST





BASE VARIANT OF DEVICE

PLUG-IN			
MODULE	ID FOR ORDERING	LENGTH [mm]	NET PRICE [EUR]
W-10	SGSP	1080	1 777
W-12	SGSP	1250	1 828
W-15	SGSP	1550	1 983
W-18	SGSP	1850	2 166
W-20	SGSP	1050	2 260
W-24	SGSP	2400	2 564
W-28	SGSP	2800	3 389
W-30	SGSP	3000	3 445
W-37	SGSP	3860	3 570
W-13 NW	SGSP	1285	2 260
W-13 NZ-v	SGSP	1300	2 493
REMOTE			
MODULE	ID FOR ORDERING	LENGTH [mm]	NET PRICE [EUR]
W-10	SGSP B/A	970	1 565
W-12	SGSP B/A	1140	1 617
W-15	SGSP B/A	1440	1 754
W-18	SGSP B/A	1740	1 928
W-20	SGSP B/A	1940	2 024
W-24	SGSP B/A	2290	2 307
W-28	SGSP B/A	2690	2 965
W-30	SGSP B/A	2890	2 980
W-37	SGSP B/A	3750	3 108
W-13 NW	SGSP B/A	1285	2 024
W-13 NZ-v	SGSP B/A	1300	2 257
SIDE PANEL THICKNESS: 45 mm			
CASH DESK			
LPK - SGSP		1000	708
LPK - SGSP NW/NZ		1000	719

STANDARD EQUIPMENT FOR BASE VARIANT

	PLUG-IN	REMOTE
INTERNAL REFRIGERATION UNIT	✓	✓
REFRIGERATION POWERED EXCLUSIVELY BY AN EXTERNAL UNIT	✓	✓
DEVICE DESIGNED FOR MODULAR ASSEMBLY	✓	✓
STATIC COOLING (EXCLUDES CORNERS; DYNAMIC COOLING - OPTIONAL)	✓	✓
CURVED, TILTABLE FRONT GLASS	✓	✓
NIGHT COVERS	✓	✓
STORAGE COMPARTMENTS: MADE OF ALUMINUM SHEET	✓	✓
DISPLAY AREA: MADE OF STAINLESS STEEL SHEET	✓	✓
ALUMINUM PROFILES - SILVER/GOLD COLOR	✓	✓
ECOLOGICAL POLYURETHANE FOAM INSULATION	✓	✓
INTERIOR LIGHTING: ENERGY-EFFICIENT LED LIGHTING	✓	✓
WORKING TOP: GRANITE	✓	✓
INTERNAL ELECTRONIC THERMOMETER	✓	✓
ELECTRONIC TEMPERATURE CONTROLLER	✓	✓
DEFROSTING: AUTOMATIC	✓	✓
CONDENSATE DRAIN TO A CONDENSATE CONTAINER	✓	✓
POWDER-COATED EXTERNAL BODY: RAL9007, RAL9005, RAL9003	✓	✓
SIDES MADE OF PLASTIC - 50 MM THICKNESS (GRAY OR BROWN)	✓	✓
FRONT ELEMENTS MADE OF PLASTIC: COLOR CHOICE (COLD COLOR RANGE)	✓	✓
LEGS ALLOWING FOR DEVICE LEVELING	✓	✓
REFRIGERATION POWER REQUIREMENT: T ₀ = -15°C (W/M6) AT AMBIENT TEMP. +25°C AND 60% RELATIVE HUMIDITY	-	400 W

OPTIONAL EQUIPMENT

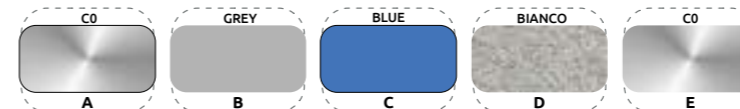
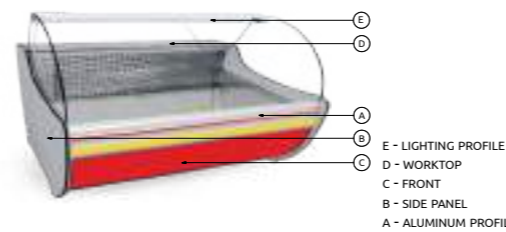
	REMARKS	UM	PRICE [EUR]
DYNAMIC COOLING WITHOUT STORAGE CHAMBERS	DYNAMIC AIR BLOW	LM	110
DYNAMIC COOLING WITH STORAGE CHAMBERS	DYNAMIC AIR BLOW	LM	118
CHAMBER MADE OF ACID-RESISTANT STAINLESS STEEL OH18		LM	94
CHAMBER BOTTOM MADE OF STAINLESS STEEL H17		LM	40
AIR INLET AND OUTLET MADE OF ACID-RESISTANT STAINLESS STEEL OH18	EVAPORATOR GRILLE + SUCTION GRILLE	LM	24
FRESH FISH TRAY FROM OH18 + EVAPORATOR PAINTING (EXCLUDES CHAMBERS)	REQUIRED DYNAMIC COOLING	LM	214
EVAPORATOR HEATER	RECOMMENDED IN GRAVITY DISPLAY CASES	LM	35
MOVABLE PARTITION		LM	34
UNCOOLED GLASS SHELF		LM	24
STAINLESS STEEL FRONT CUSTOMER SHELF	FRONT SHELF FOR CUSTOMERS	LM	90
GLASS PARTITION II-K (DISPLAY DIVISION + CHAMBER DIVISION)	FIXED	PCS	82
SERVING SHELF ON GLASS (ACID-RESISTANT STAINLESS)		LM	59
FINISHING WITH VENEER		LM	32
KNIFE HOLDER	ONLY WITHOUT STORAGE CHAMBERS	PCS	61
PAPER HOLDER	ONLY WITHOUT STORAGE CHAMBERS	PCS	61
FRAME FOR GN CONTAINERS (WITHOUT CONTAINERS)	INSTEAD OF DISPLAY SHELF	LM	75
ELECTRICAL SOCKET 230V		PCS	25
ELECTRICAL SOCKET 230V WITH RJ45		PCS	49
OVERLAY FOR WORKTOP UNDER SCALE		PCS	44
BALMORAL WORKTOP	THICKNESS 20MM	LM	59
BLACK WORKTOP	THICKNESS 20MM	LM	93
ACID-RESISTANT STAINLESS STEEL WORKTOP		LM	0
GRANITE WORKTOP EXTENSION BY SCM	20MM, APPLIES TO ROSA PORINO AND BIANCO	LM	15
TROLLEY BUMPER		LM	61
FRONT PAINTING OF THE COUNTER IN RAL COLOR	COLD COLOR SCHEME	LM	29
BODY PAINTING OF THE COUNTER IN RAL COLOR	COLD COLOR SCHEME	LM	44
INTERIOR PAINTING OF THE COUNTER IN RAL COLOR	DISPLAY SHELF, AIR INLET AND OUTLET	LM	44
EVAPORATOR PAINTING	REQUIRED FOR FRESH FISH TRAY	LM	79
STEP TO DISPLAY SURFACE	SHELF OVERLAY	LM	63
2-LEVEL SHELF		LM	67
3-LEVEL SHELF		LM	79
ENGLISH PLUG		PCS	16
TEMPERATURE RECORDER (USB)		PCS	195
CUTTING BOARD		PCS	61
LOWER BODY LIGHTING - LED		LM	38
CONDENSATE CONTAINER MADE OF ACID-RESISTANT STAINLESS STEEL		PCS	22
AUTOMATIC CONDENSATE EVAPORATION - ELECTRIC EVAPORATOR	ONLY PLUG-IN (W25, W30, W37 -> 2 PIECES)	PCS	157
GASTRO LEGS (W20, W25: 6 PCS; W37: 8 PCS; OTHERS: 4 PCS)		PCS	14
SET OF WHEELS		SET	108
PALETTE	CALCULATED TO LENGTH (NO DISCOUNT)	LM	15
WOODEN BOX	CALCULATED TO LENGTH (NO DISCOUNT)	LM	40

ATTENTION!
DIFFERENCE IN STANDARD EQUIPMENT COMPARED TO THE BASE VARIANT

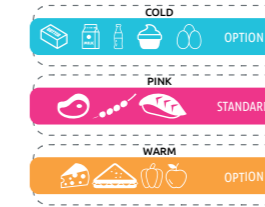
DEVICE CONFIGURATION OPTIONS:

	NET PRICE [EUR]	UM	ID FOR ORDERING
WITHOUT FRONT LIGHTING	-38	LM	SGS
FREEZER VERSION [0°C + -6°C]	+443	LM	SGSP-v MR
FREEZER VERSION [0°C + -6°C] + WITHOUT FRONT LIGHTING	+405	LM	SGS-v MR

STANDARD FINISH



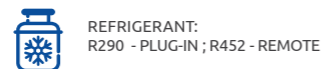
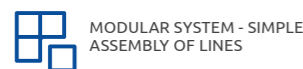
LIGHTING COLORS



FINISH OPTIONS TABLE:

A	B	C	D	E
CO C23	GREY BLACK BROWN	BLUE RED GOLD GREEN SILVER WHITE ORANGE	BIANCO ROSA BALMORAL BLACK INOX	CO C23 RAL9005

AVAILABILITY OF FINISHES NOT INCLUDED IN THE TABLE - ON REQUEST



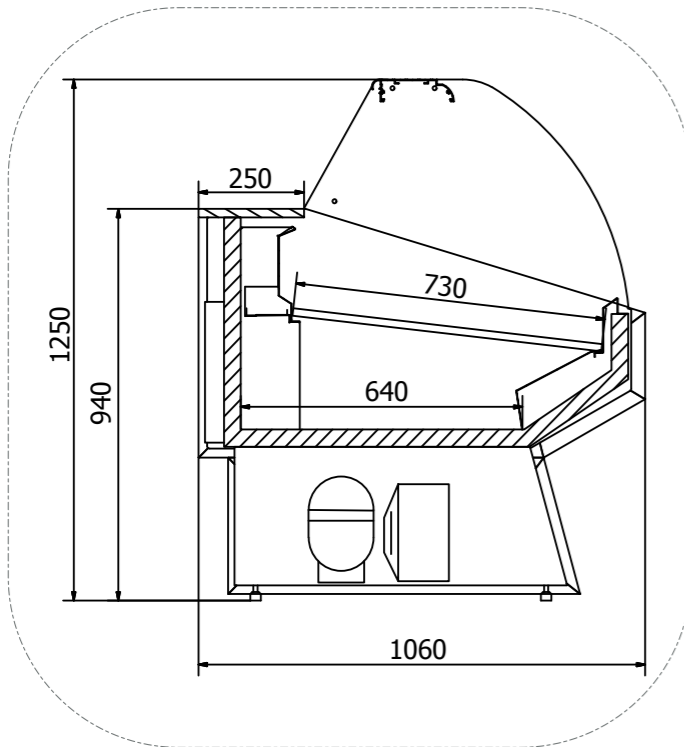
SKYE (PLUG-IN / REMOTE)

+2°C ÷ +8°C

SKYE

EXW BOCHNIA / EUR / VALID FROM: 01/02/24

CONTENTS



BASE VARIANT OF DEVICE

PLUG-IN			
MODULE	ID FOR ORDERING	LENGTH [mm]	NET PRICE [EUR]
W-10	SKYE	1080	1 844
W-12	SKYE	1250	1 894
W-15	SKYE	1550	2 011
W-18	SKYE	1850	2 194
W-20	SKYE	1050	2 321
W-24	SKYE	2400	2 687
W-28	SKYE	2800	3 445
W-30	SKYE	3000	3 540
W-37	SKYE	3860	3 665
REMOTE			
MODULE	ID FOR ORDERING	LENGTH [mm]	NET PRICE [EUR]
W-10	SKYE B/A	970	1 633
W-12	SKYE B/A	1140	1 685
W-15	SKYE B/A	1440	1 783
W-18	SKYE B/A	1740	1 957
W-20	SKYE B/A	1940	2 087
W-24	SKYE B/A	2290	2 432
W-28	SKYE B/A	2690	3 021
W-30	SKYE B/A	2890	3 076
W-37	SKYE B/A	3750	3 204
SIDE PANEL THICKNESS: 45 mm			
CASH DESK			
LPK - SKYE		1000	719

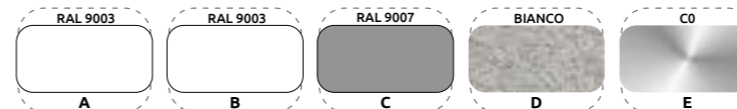
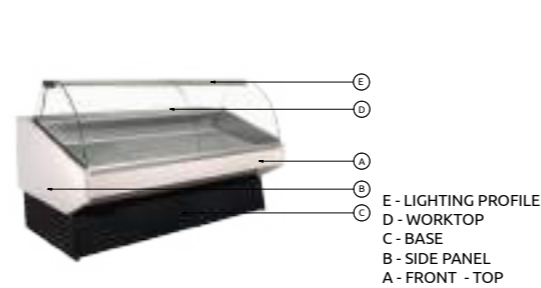
STANDARD EQUIPMENT FOR BASE VARIANT

	PLUG-IN	REMOTE
INTERNAL REFRIGERATION UNIT	✓	✓
REFRIGERATION POWERED EXCLUSIVELY BY AN EXTERNAL UNIT	✓	✓
DEVICE DESIGNED FOR MODULAR ASSEMBLY	✓	✓
STATIC COOLING (EXCLUDES CORNERS; DYNAMIC COOLING - OPTIONAL)	✓	✓
CURVED, TILTABLE FRONT GLASS	✓	✓
NIGHT COVERS	✓	✓
STORAGE COMPARTMENTS: MADE OF ALUMINUM SHEET	✓	✓
DISPLAY AREA: MADE OF STAINLESS STEEL SHEET	✓	✓
ALUMINUM PROFILES - SILVER/GOLD COLOR	✓	✓
ECOLOGICAL POLYURETHANE FOAM INSULATION	✓	✓
INTERIOR LIGHTING: ENERGY-EFFICIENT LED LIGHTING	✓	✓
WORKING TOP: GRANITE	✓	✓
INTERNAL ELECTRONIC THERMOMETER	✓	✓
ELECTRONIC TEMPERATURE CONTROLLER	✓	✓
DEFROSTING: AUTOMATIC	✓	✓
CONDENSATE DRAIN TO A CONDENSATE CONTAINER	✓	✓
POWDER-COATED EXTERNAL BODY: RAL9007, RAL9005, RAL9003	✓	✓
SIDES MADE OF PLASTIC - 45 MM THICKNESS (GRAY OR BROWN)	✓	✓
FRONT ELEMENTS MADE OF PLASTIC: COLOR CHOICE (COLD COLOR RANGE)	✓	✓
LEGS ALLOWING FOR DEVICE LEVELING	✓	✓
REFRIGERATION POWER REQUIREMENT: T ₀ = -15°C (W/M6) AT AMBIENT TEMP. +25°C AND 60% RELATIVE HUMIDITY	-	400 W

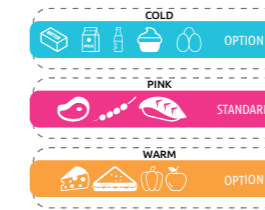
OPTIONAL EQUIPMENT

	REMARKS	UM	PRICE [EUR]
DYNAMIC COOLING WITHOUT STORAGE CHAMBERS	DYNAMIC AIR BLOW	LM	110
DYNAMIC COOLING WITH STORAGE CHAMBERS	DYNAMIC AIR BLOW	LM	118
CHAMBER MADE OF ACID-RESISTANT STAINLESS STEEL OH18		LM	94
CHAMBER BOTTOM MADE OF STAINLESS STEEL H17		LM	40
AIR INLET AND OUTLET MADE OF ACID-RESISTANT STAINLESS STEEL OH18	EVAPORATOR GRILLE + SUCTION GRILLE	LM	24
FRESH FISH TRAY FROM OH18 + EVAPORATOR PAINTING (EXCLUDES CHAMBERS)	REQUIRED DYNAMIC COOLING	LM	214
EVAPORATOR HEATER	RECOMMENDED IN GRAVITY DISPLAY CASES	LM	35
MOVABLE PARTITION		LM	34
UNCOOLED GLASS SHELF		LM	24
STAINLESS STEEL FRONT CUSTOMER SHELF	FRONT SHELF FOR CUSTOMERS	LM	90
GLASS PARTITION II-K (DISPLAY DIVISION + CHAMBER DIVISION)	FIXED	PCS	82
SERVING SHELF ON GLASS (ACID-RESISTANT STAINLESS)		LM	59
FINISHING WITH VENEER		LM	32
KNIFE HOLDER	ONLY WITHOUT STORAGE CHAMBERS	PCS	61
PAPER HOLDER	ONLY WITHOUT STORAGE CHAMBERS	PCS	61
FRAME FOR GN CONTAINERS (WITHOUT CONTAINERS)	INSTEAD OF DISPLAY SHELF	LM	75
ELECTRICAL SOCKET 230V		PCS	25
ELECTRICAL SOCKET 230V WITH RJ45		PCS	49
OVERLAY FOR WORKTOP UNDER SCALE		PCS	44
BALMORAL WORKTOP	THICKNESS 20MM	LM	59
BLACK WORKTOP	THICKNESS 20MM	LM	93
ACID-RESISTANT STAINLESS STEEL WORKTOP		LM	0
GRANITE WORKTOP EXTENSION BY 5CM	20MM, APPLIES TO ROSA PORINO AND BIANCO	LM	15
TROLLEY BUMPER		LM	61
FRONT PAINTING OF THE COUNTER IN RAL COLOR	COLD COLOR SCHEME	LM	29
BODY PAINTING OF THE COUNTER IN RAL COLOR	COLD COLOR SCHEME	LM	44
INTERIOR PAINTING OF THE COUNTER IN RAL COLOR	DISPLAY SHELF, AIR INLET AND OUTLET	LM	44
EVAPORATOR PAINTING	REQUIRED FOR FRESH FISH TRAY	LM	79
STEP TO DISPLAY SURFACE	SHELF OVERLAY	LM	63
2-LEVEL SHELF		LM	67
3-LEVEL SHELF		LM	79
ENGLISH PLUG		PCS	16
TEMPERATURE RECORDER (USB)		PCS	195
CUTTING BOARD		PCS	61
LOWER BODY LIGHTING - LED		LM	38
CONDENSATE CONTAINER MADE OF ACID-RESISTANT STAINLESS STEEL		PCS	22
AUTOMATIC CONDENSATE EVAPORATION - ELECTRIC EVAPORATOR	ONLY PLUG-IN (W25, W30, W37 -> 2 PIECES)	PCS	157
GASTRO LEGS (W20, W25: 6 PCS; W37: 8 PCS; OTHERS: 4 PCS)		PCS	14
SET OF WHEELS		SET	108
PALETTE	CALCULATED TO LENGTH (NO DISCOUNT)	LM	15
WOODEN BOX	CALCULATED TO LENGTH (NO DISCOUNT)	LM	40

STANDARD FINISH



LIGHTING COLORS



FINISH OPTIONS TABLE:

A	B	C	D	E
RAL9005	RAL9005	RAL9005	BIANCO	CO
RAL9003	RAL9003	RAL9003	ROSA	C23
RAL8016	RAL8016	RAL8016	BALMORAL	RAL9005
RAL7024	RAL7024	RAL7024	BLACK	
RAL7047	RAL7047	RAL7047	INOX	
RAL9007	RAL9007	RAL9007		
RAL5005	RAL5005	RAL5005		
RAL6029	RAL6029	RAL6029		
RAL3020	RAL3020	RAL3020		
RAL3003	RAL3003	RAL3003		
RAL6018	RAL6018	RAL6018		
RAL1019	RAL1019	RAL1019		
RAL2004	RAL2004	RAL2004		
RAL1021	RAL1021	RAL1021		
RAL7012	RAL7012	RAL7012		
RAL7016	RAL7016	RAL7016		
RAL1013	RAL1013	RAL1013		
RAL5010	RAL5010	RAL5010		
RAL7012	RAL7012	RAL7012		
RAL7035	RAL7035	RAL7035		
RAL7019	RAL7019	RAL7019		
RAL7043	RAL7043	RAL7043		
RAL9016	RAL9016	RAL9016		
RAL9011	RAL9011	RAL9011		

AVAILABILITY OF FINISHES NOT INCLUDED IN THE TABLE - ON REQUEST

MODULAR SYSTEM - SIMPLE ASSEMBLY OF LINES

REFRIGERANT: R290 - PLUG-IN; R452 - REMOTE

BOTTOM HINGE FRONT GLASS OPENING



**MULTIDECK
REFRIGERATED
DISPLAYS**





3H1 (+4°C + +10°C);
3H1 (+6°C + +10°C);
3H1 (+2°C + +8°C)

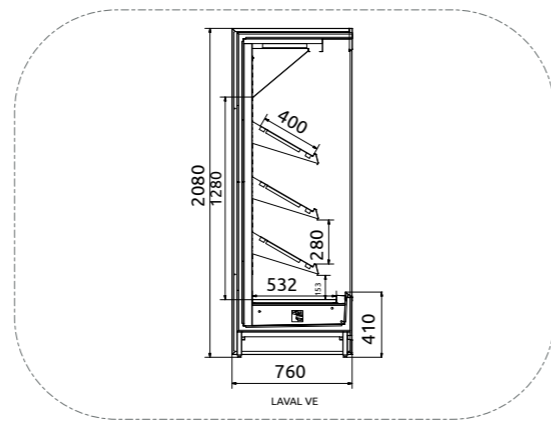
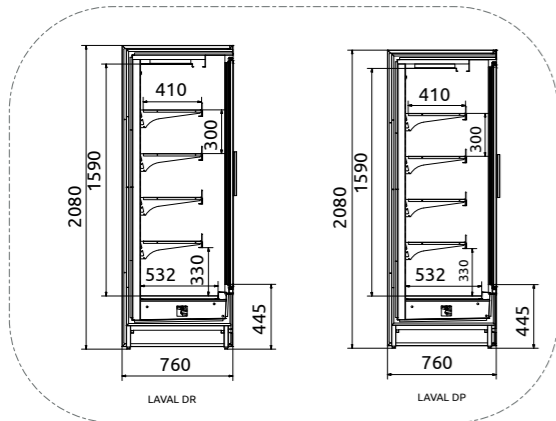
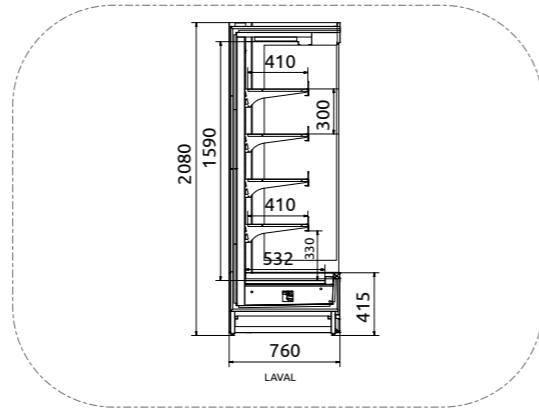
EXW BOCHNIA / EUR / VALID FROM: 01/02/24



BASE VARIANT OF DEVICE

REMOTE				DOOR QUANTITY	
MODULE	ID FOR ORDERING	LENGTH [mm]	NET PRICE [EUR]	DP	DR
R-12	LVL/o	1130	2 483	2	2
R-15	LVL/o	1490	2 770	2	2
R-19	LVL/o	1875	3 199	3	3
R-25	LVL/o	2480	3 675	4	4
R-30	LVL/o	2980	4 608	5	5
R-37	LVL/o	3750	5 326	6	6

SIDE PANEL THICKNESS 45 mm



STANDARD EQUIPMENT FOR BASE VARIANT

	REMOTE
INTERNAL REFRIGERATION UNIT	-
REFRIGERATION POWER SUPPLIED EXCLUSIVELY BY AN EXTERNAL UNIT	✓
DEVICE DESIGNED FOR MODULAR ASSEMBLY	✓
DYNAMIC COOLING	✓
ENERGY-EFFICIENT LED LIGHTING	✓
KICK PLATE (PLINTH) POWDER-COATED IN RAL 9003 COLOR	✓
SIDES MADE OF SHEET METAL (THICKNESS 30MM) WITH GLASS	✓
ECOLOGICAL POLYURETHANE FOAM INSULATION	✓
INTERIOR AND SHELVES MADE OF POWDER-COATED GALVANIZED SHEET METAL, PAINTED WHITE	✓
ADJUSTABLE HEIGHT AND ANGLE OF DISPLAY SHELVES - 4 ROWS	✓
PRICE STRIPS	✓
MANUAL NIGHT BLIND	✓
FRONT BUMPER - CHOICE OF COLOR (GRAY, BLACK, RED)	✓
ELECTRONIC TEMPERATURE CONTROLLER WITH DIGITAL DISPLAY	✓
CONDENSATE DRAIN TO A CONDENSATE CONTAINER	✓
CONDENSATE DRAINAGE TO SEWERAGE	✓
DEFROSTING: AUTOMATIC	✓
LEGS ALLOWING FOR DEVICE LEVELING	✓
EXPANSION VALVE	✓
REFRIGERATION POWER REQUIREMENT: T ₀ = -15°C [W/MB] AT AMBIENT TEMP. +25°C AND 60% RELATIVE HUMIDITY	1300 W
FOR CLOSED MODELS - REFRIGERATION POWER REQUIREMENT: T ₀ = -15°C [W/MB] AT AMBIENT TEMP. +25°C AND 60% RELATIVE HUMIDITY	900 W

OPTIONAL EQUIPMENT

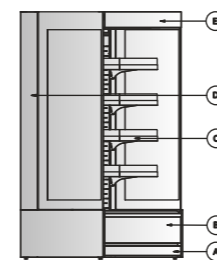
	REMARKS	UM	PRICE [EUR]
SHELF LIMITER	4 ROWS	LM	59
VERTICAL DIFFUSED LIGHTING INTEGRATED INTO THE SIDES OF THE UNIT		SET	142
ADDITIONAL UNDER-SHELF LED LIGHTING	4 ROWS	LM	155
FULL SIDES, INTERNALLY COVERED WITH H17 MIRROR-FINISH STAINLESS STEEL	SET	SET	155
FULL SIDES, INTERNALLY COVERED WITH OH18 ACID-RESISTANT STAINLESS STEEL	SET	SET	222
SIDE MADE OF WOODEN BOARD WITH H17 MIRROR-FINISH STAINLESS STEEL INTERNALLY		PC	341
ILLUMINATED TOP FRONT PANEL WITH LED LIGHTING		LM	58
MIRROR MOUNTED IN THE UPPER PART OF THE DEVICE	EXCLUDES ONE ROW OF SHELVES	LM	31
METAL SIDES WITH A DOUBLE-SIDED MIRROR ELEMENT	SET	SET	241
STAINLESS STEEL HOOK STRIP	ONE HOOK PER APPROX. 20CM	LM	109
ADDITIONAL HOOK	PER PIECE	PC	12
REINFORCED SHELVES FOR BEVERAGES	HIGHER LOAD CAPACITY	LM	50
ADDITIONAL ROW OF LACQUERED SHELVES	INCLUDING SUPPORT BRACKETS	LM	66
SHELVES MADE OF ACID-RESISTANT STAINLESS STEEL	4 ROWS OF SHELVES + BASE SHELF	LM	521
ADDITIONAL ROW OF ACID-RESISTANT STAINLESS STEEL SHELVES	INCLUDING SUPPORT BRACKETS	LM	112
INTERIOR MADE OF ACID-RESISTANT STAINLESS STEEL	BACK, GUIDES, BOTTOM, VENT. SHEET WITHOUT SHELVES	LM	291
BASE SHELF MADE OF ACID-RESISTANT STAINLESS STEEL	RECOMMENDED FOR PICKLES DISPLAY	LM	96
BOTTOM/ELEMENT UNDER THE EVAPORATOR/ MADE OF ACID-RESISTANT STAINLESS STEEL	RECOMMENDED FOR PICKLES DISPLAY	LM	44
BOTTOM + FAN PLATE MADE OF ACID-RESISTANT STAINLESS STEEL	RECOMMENDED FOR PICKLES DISPLAY	LM	88
VERTICAL DIVIDER MADE OF PLEXIGLAS		PC	83
EVAPORATOR HEATERS		LM	104
FRONT FINISH WITH WOOD-LIKE PANEL	COLD COLOR RANGE	LM	33
PRICE TAG STRIPS	APPLIES TO AN ADDITIONAL ROW OF SHELVES	LM	2
INTERIOR POWDER-COATING IN A DIFFERENT RAL COLOR		LM	65
TEMPERATURE RECORDER (USB)		PC	208
POWDER-COATED EVAPORATOR		LM	80
ELECTRIC ROLLER SHUTTER	ELECTRICAL WITH MOTOR	LM	253
SET OF WHEELS /CASTERS/	R25, R30, R37 - REQUIRE 2 SETS PER MODULE	SET	121
AUTOMATIC CONDENSATE EVAPORATION (ELECTRIC) - FOR R25, R30 MODULES 2 PCS.	NOT AVAILABLE FOR VEGETABLE DISPLAY	PC	164
WOODEN PALLET	CALCULATED TO LENGTH (NO DISCOUNT)	LM	15
WOODEN CRATE	CALCULATED TO LENGTH (NO DISCOUNT)	LM	63
FRUIT AND VEGETABLE BOX	PLASTIC 40CM X 60CM	PC	14
KICK-PLATE /PLINTH/ MADE OF ACID-RESISTANT STAINLESS STEEL		LM	63

ATTENTION!
DIFFERENCE IN STANDARD EQUIPMENT COMPARED TO THE BASE VARIANT

DEVICE CONFIGURATION OPTIONS:

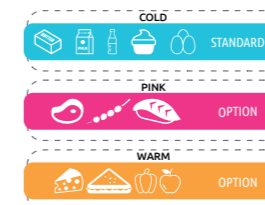
	NET PRICE [EUR]	UM	ID FOR ORDERING
HINGED DOORS WITH SOFT-CLOSING SYSTEM, SINGLE GLASS	+447	LM	DP
SLIDING DOORS WITH DOUBLE GLAZING / INSULATED GLASS/	+408	LM	DR
SLIDING DOORS WITH DOUBLE GLAZING AND SOFT-CLOSING SYSTEM /INSULATED GLASS/	+573	LM	DR-H
VERSION DESIGNED FOR SELLING FRUITS AND VEGETABLES, WITH STAINLESS STEEL ACID-RESISTANT BOTTOM, EVAPORATOR PAINTING, UPPER MIRROR, 3 TIERS OF POWDER-COATED SHELVES	+151	LM	VE
HINGED DOORS WITH DOUBLE GLAZING AND SOFT-CLOSING SYSTEM / INSULATED GLASS/	+580	LM	DP-Z

STANDARD FINISH



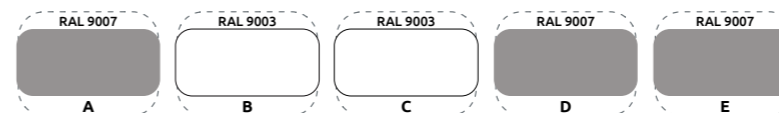
- A - KICK-PLATE /PLINTH/
- B - FRONT
- C - INTERIOR /BACK+SHELVES/
- D - SIDE PANEL /SOLID OR WITH GLASS/
- E - TOP FRONT ELEMENT

LIGHTING COLORS

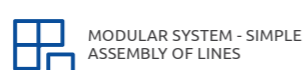


FINISH OPTION TABLE:

A	B	C	D	E
RAL9005	RAL9005	RAL9005	RAL9005	RAL9005
RAL9003	RAL9003	RAL9003	RAL9003	RAL9003
RAL8016	RAL8016	RAL8016	RAL8016	RAL8016
RAL7024	RAL7024	RAL7024	RAL7024	RAL7024
RAL7047	RAL7047	RAL7047	RAL7047	RAL7047
RAL9007	RAL9007	RAL9007	RAL9007	RAL9007
RAL5005	RAL5005	RAL5005	RAL5005	RAL5005
RAL6029	RAL6029	RAL6029	RAL6029	RAL6029
RAL3020	RAL3020	RAL3020	RAL3020	RAL3020
RAL3003	RAL3003	RAL3003	RAL3003	RAL3003
RAL6018	RAL6018	RAL6018	RAL6018	RAL6018
RAL1019	RAL1019	RAL1019	RAL1019	RAL1019
RAL2004	RAL2004	RAL2004	RAL2004	RAL2004
RAL1021	RAL1021	RAL1021	RAL1021	RAL1021
RAL7012	RAL7012	RAL7012	RAL7012	RAL7012
RAL7016	RAL7016	RAL7016	RAL7016	RAL7016
RAL1013	RAL1013	RAL1013	RAL1013	RAL1013
RAL5010	RAL5010	RAL5010	RAL5010	RAL5010
RAL7012	RAL7012	RAL7012	RAL7012	RAL7012
RAL7035	RAL7035	RAL7035	RAL7035	RAL7035
RAL7019	RAL7019	RAL7019	RAL7019	RAL7019
RAL7043	RAL7043	RAL7043	RAL7043	RAL7043
RAL9016	RAL9016	RAL9016	RAL9016	RAL9016
RAL9011	RAL9011	RAL9011	RAL9011	RAL9011
INOX	D2360	INOX	D2360	D2360
INOX AISI 304	D375	INOX AISI 304	D375	D375
	D381		D381	D381
	D9103		D9103	D9103
	D9310		D9310	D9310
	D2380		D2380	D2380
	D2841		D2841	D2841
	D2713		D2713	D2713
	D2226		D2226	D2226
	D2609		D2609	D2609
	D1972		D1972	D1972
	D2842		D2842	D2842
	D3025		D3025	D3025
	D2610		D2610	D2610
	INOX		INOX	INOX
	INOX AISI 304		INOX AISI 304	INOX AISI 304



AVAILABILITY OF FINISHES NOT INCLUDED IN THE TABLE - ON REQUEST



EVEREST (PLUG-IN/REMOTE)



3H1 (+4°C + +10°C);
3H1 (+6°C + +10°C);
3H1 (+2°C + +8°C)

EVEREST

EXW BOCHNIA / EUR / VALID FROM: 01/02/24

CONTENTS



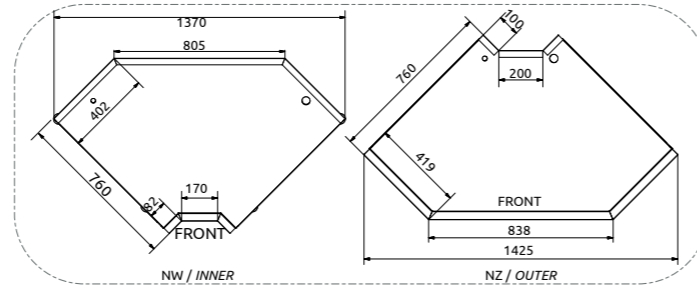
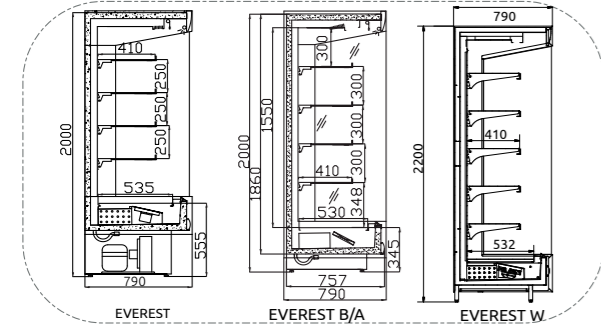
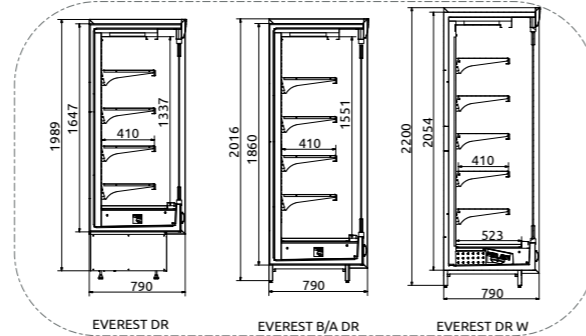
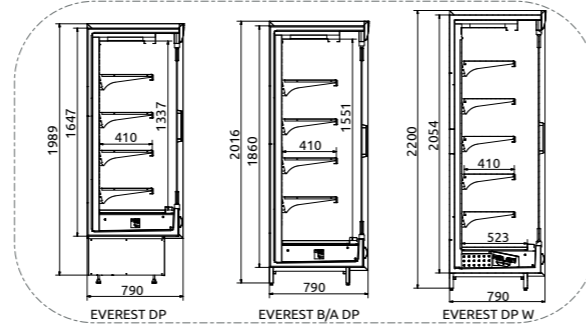
BASE VARIANT OF DEVICE

PLUG-IN			
MODULE	ID FOR ORDERING	LENGTH [mm]	NET PRICE [EUR]
R-12	E	1220	2 945
R-15	E	1580	3 283
R-19	E	1965	3 997
R-25	E	2570	4 963
R-30	E	3070	6 106

REMOTE			
MODULE	ID FOR ORDERING	LENGTH [mm]	NET PRICE [EUR]
R-12	E/o	1130	2 399
R-15	E/o	1490	2 665
R-19	E/o	1875	3 066
R-25	E/o	2480	3 501
R-30	E/o	2980	4 398
R-37	E/o	3750	5 065
R-13 NW	E NW/o	980	3 066
R-13 NZ	E NZ/o	980	3 066

DOOR QUANTITY	
DP	DR
2	2
2	2
3	3
4	4
5	5

DOOR QUANTITY	
DP	DR
2	2
2	2
3	3
4	4
5	5
6	6



DEVICE CONFIGURATION OPTIONS:	NET PRICE [EUR]	UM	ID FOR ORDERING	STANDARD HEIGHT 2000mm
	HINGED DOORS WITH SOFT-CLOSING SYSTEM, SINGLE GLASS	+447	LM	
SLIDING DOORS WITH DOUBLE GLAZING / INSULATED GLASS/	+408	LM	DR	
SLIDING DOORS WITH DOUBLE GLAZING AND SOFT-CLOSING SYSTEM / INSULATED GLASS/	+573	LM	DR-H	
VERSION DESIGNED FOR SELLING FRUITS AND VEGETABLES, WITH STAINLESS STEEL ACID-RESISTANT BOTTOM, EVAPORATOR PAINTING, UPPER MIRROR, 3 TIERS OF POWDER-COATED SHELVES	+151	LM	VE	
HINGED DOORS WITH DOUBLE GLAZING AND SOFT-CLOSING SYSTEM / INSULATED GLASS/	+580	LM	DP-Z	
WYSHEIGHT 2.2M, INCLUDES AN ADDITIONAL ROW OF SHELVES	+116	LM	/W	
HINGED DOORS WITH SOFT-CLOSING SYSTEM, HIGH VERSION, SINGLE GLASS	+563	LM	DP /W	
SLIDING DOORS WITH DOUBLE GLAZING/INSULATED GLASS/, HIGH VERSION	+548	LM	DR /W	
SLIDING DOORS WITH DOUBLE GLAZING AND SOFT-CLOSING SYSTEM, HIGH VERSION	+690	LM	DR-H/W	
VERSION DESIGNED FOR FRUITS AND VEGETABLES SALE, HIGH VERSION, FOUR ROWS OF SHELVES, BASE MADE OF ACID-RESISTANT STAINLESS STEEL OH18, EVAPORATOR PAINTING, UPPER MIRROR, 4 ROWS OF POWDER-COATED SHELVES	+267	LM	VE /W	
HINGED DOORS WITH DOUBLE GLAZING AND SOFT-CLOSING SYSTEM, HIGH VERSION	+697	LM	DP-Z /W	

ATTENTION: DIFFERENCE IN STANDARD EQUIPMENT COMPARED TO THE BASE VARIANT

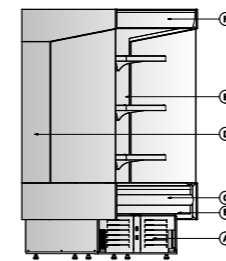
STANDARD EQUIPMENT FOR BASE VARIANT

	PLUG-IN	REMOTE
INTERNAL REFRIGERATION UNIT	✓	-
REFRIGERATION POWER SUPPLIED EXCLUSIVELY BY AN EXTERNAL UNIT	✓	-
DEVICE DESIGNED FOR MODULAR ASSEMBLY	AT NO COST	✓
DYNAMIC COOLING	✓	✓
ENERGY-EFFICIENT LED LIGHTING	✓	✓
SIDES MADE OF SHEET METAL (THICKNESS 45MM) WITH GLASS	✓	✓
ECOLOGICAL POLYURETHANE FOAM INSULATION	✓	✓
INTERIOR AND SHELVES MADE OF POWDER-COATED GALVANIZED SHEET METAL, PAINTED WHITE	✓	✓
ADJUSTABLE HEIGHT AND ANGLE OF DISPLAY SHELVES - 4 ROWS	✓	✓
PRICE STRIPS	✓	✓
MANUAL NIGHT BLIND	✓	✓
FRONT BUMPER - CHOICE OF COLOR (GRAY, BLACK, RED)	✓	✓
ELECTRONIC TEMPERATURE CONTROLLER WITH DIGITAL DISPLAY	✓	✓
CONDENSATE DRAIN TO A CONDENSATE CONTAINER	✓	-
CONDENSATE DRAINAGE TO SEWERAGE	✓	✓
DEFROSTING: AUTOMATIC	✓	✓
LEGS ALLOWING FOR DEVICE LEVELING	✓	✓
EXPANSION VALVE	-	✓
REFRIGERATION POWER REQUIREMENT: T 0= -15°C [W/MB] AT AMBIENT TEMP. +25°C AND 60% RELATIVE HUMIDITY	-	1300 W
FOR CLOSED MODELS - REFRIGERATION POWER REQUIREMENT: T 0= -15°C [W/MB] AT AMBIENT TEMP. +25°C AND 60% RELATIVE HUMIDITY	-	900 W

OPTIONAL EQUIPMENT

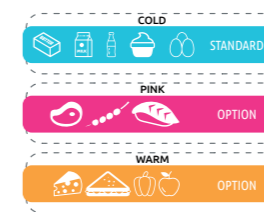
	REMARKS	UM	PRICE [EUR]
SHELF LIMITER	4 ROWS	LM	59
VERTICAL DIFFUSED LIGHTING INTEGRATED INTO THE SIDES OF THE UNIT	SET	SET	142
ADDITIONAL UNDER-SHELF LED LIGHTING	4 ROWS	LM	155
FULL SIDES, INTERNALLY COVERED WITH H17 MIRROR-FINISH STAINLESS STEEL	SET	SET	155
FULL SIDES, INTERNALLY COVERED WITH OH18 ACID-RESISTANT STAINLESS STEEL	SET	SET	222
SIDE MADE OF WOODEN BOARD WITH H17 MIRROR-FINISH STAINLESS STEEL INTERNALLY		PC	341
ILLUMINATED TOP FRONT PANEL WITH LED LIGHTING		LM	58
MIRROR MOUNTED IN THE UPPER PART OF THE DEVICE	EXCLUDES ONE ROW OF SHELVES	LM	31
METAL SIDES WITH A DOUBLE-SIDED MIRROR ELEMENT	SET	SET	241
STAINLESS STEEL HOOK STRIP	ONE HOOK PER APPROX. 20CM	LM	109
ADDITIONAL HOOK	PER PIECE	PC	12
REINFORCED SHELVES FOR BEVERAGES	HIGHER LOAD CAPACITY	LM	50
ADDITIONAL ROW OF LACQUERED SHELVES	INCLUDING SUPPORT BRACKETS	LM	66
SHELVES MADE OF ACID-RESISTANT STAINLESS STEEL	4 ROWS OF SHELVES + BASE SHELF	LM	521
ADDITIONAL ROW OF ACID-RESISTANT STAINLESS STEEL SHELVES	INCLUDING SUPPORT BRACKETS	LM	112
INTERIOR MADE OF ACID-RESISTANT STAINLESS STEEL	BACK, GUIDES, BOTTOM, VENT. SHEET WITHOUT SHELVES	LM	291
BASE SHELF MADE OF ACID-RESISTANT STAINLESS STEEL	RECOMMENDED FOR PICKLES DISPLAY	LM	96
BOTTOM/ELEMENT UNDER THE EVAPORATOR/ MADE OF ACID-RESISTANT STAINLESS STEEL	RECOMMENDED FOR PICKLES DISPLAY	LM	44
BOTTOM + FAN PLATE MADE OF ACID-RESISTANT STAINLESS STEEL	RECOMMENDED FOR PICKLES DISPLAY	LM	88
VERTICAL DIVIDER MADE OF PLEXIGLAS		PC	83
EVAPORATOR HEATERS		LM	104
FRONT FINISH WITH WOOD-LIKE PANEL	COLD COLOR RANGE	LM	33
PRICE TAG STRIPS	APPLIES TO AN ADDITIONAL ROW OF SHELVES	LM	2
INTERIOR POWDER-COATING IN A DIFFERENT RAL COLOR		LM	65
TEMPERATURE RECORDER (USB)		PC	208
POWDER-COATED EVAPORATOR		LM	80
ELECTRIC ROLLER SHUTTER	ELECTRICAL WITH MOTOR	LM	253
SET OF WHEELS /CASTERS/	R25, R30, R37 - REQUIRE 2 SETS PER MODULE	SET	121
AUTOMATIC CONDENSATE EVAPORATION (ELECTRIC) - FOR R25, R30 MODULES 2 PCS.	NOT AVAILABLE FOR VEGETABLE DISPLAY	PC	164
WOODEN PALLET	CALCULATED TO LENGTH (NO DISCOUNT)	LM	15
WOODEN CRATE	CALCULATED TO LENGTH (NO DISCOUNT)	LM	63
FRUIT AND VEGETABLE BOX		PC	14
KICK-PLATE /PLINTH/ MADE OF ACID-RESISTANT STAINLESS STEEL		LM	63

STANDARD FINISH



- A - BASE
- B - FRONT (UNDER BUMPER)
- C - BUMPER
- D - SIDE PANEL /SOLID OR WITH GLASS/
- E - INTERIOR /BACK-SHELVES/
- F - TOP FRONT ELEMENT

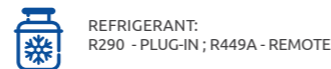
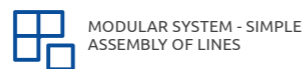
LIGHTING COLORS



FINISH OPTION TABLE:

A	B	C	D	E	F
RAL9005	RAL9005	GREY	RAL9005	RAL9005	RAL9005
RAL9003	RAL9003	BLACK	RAL9003	RAL9003	RAL9003
RAL8016	RAL8016	RED	RAL8016	RAL8016	RAL8016
RAL7024	RAL7024		RAL7024	RAL7024	RAL7024
RAL7047	RAL7047		RAL7047	RAL7047	RAL7047
RAL9007	RAL9007		RAL9007	RAL9007	RAL9007
RAL5005	RAL5005		RAL5005	RAL5005	RAL5005
RAL6029	RAL6029		RAL6029	RAL6029	RAL6029
RAL3020	RAL3020		RAL3020	RAL3020	RAL3020
RAL3003	RAL3003		RAL3003	RAL3003	RAL3003
RAL6018	RAL6018		RAL6018	RAL6018	RAL6018
RAL1019	RAL1019		RAL1019	RAL1019	RAL1019
RAL2004	RAL2004		RAL2004	RAL2004	RAL2004
RAL1021	RAL1021		RAL1021	RAL1021	RAL1021
RAL7012	RAL7012		RAL7012	RAL7012	RAL7012
RAL7016	RAL7016		RAL7016	RAL7016	RAL7016
RAL1013	RAL1013		RAL1013	RAL1013	RAL1013
RAL5010	RAL5010		RAL5010	RAL5010	RAL5010
RAL7012	RAL7012		RAL7012	RAL7012	RAL7012
RAL7035	RAL7035		RAL7035	RAL7035	RAL7035
RAL7019	RAL7019		RAL7019	RAL7019	RAL7019
RAL7043	RAL7043		RAL7043	RAL7043	RAL7043
RAL9016	RAL9016		RAL9016	RAL9016	RAL9016
RAL9011	RAL9011		RAL9011	RAL9011	RAL9011
D2360	D2360		D2360	INOX	D2360
D375	D375		D375	D375	D375
D381	D381		D381	D381	D381
D9103	D9103		D9103	D9103	D9103
D9310	D9310		D9310	D9310	D9310
D2380	D2380		D2380	D2380	D2380
D2841	D2841		D2841	D2841	D2841
D2713	D2713		D2713	D2713	D2713
D2226	D2226		D2226	D2226	D2226
D2609	D2609		D2609	D2609	D2609
D1972	D1972		D1972	D1972	D1972
D2842	D2842		D2842	D2842	D2842
D3025	D3025		D3025	D3025	D3025
D2610	D2610		D2610	D2610	D2610
INOX	INOX		INOX	INOX	INOX
AISI 304	AISI 304		AISI 304	AISI 304	AISI 304

AVAILABILITY OF FINISHES NOT INCLUDED IN THE TABLE - ON REQUEST



EXW Bochnia

P.P.U.H. COLD Spółka Jawna

+48 14 611 15 80

www.cold.pl

cold@cold.pl

47

48

MULTIDECK REFRIGERATED DISPLAY



BARI (PLUG-IN / REMOTE)

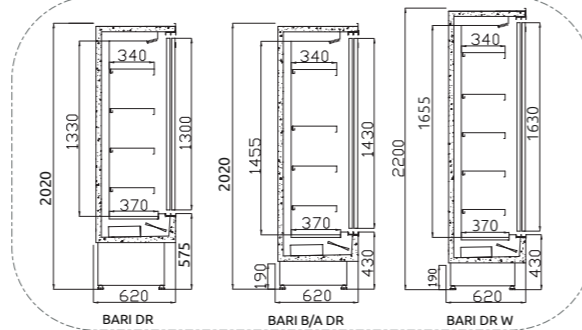
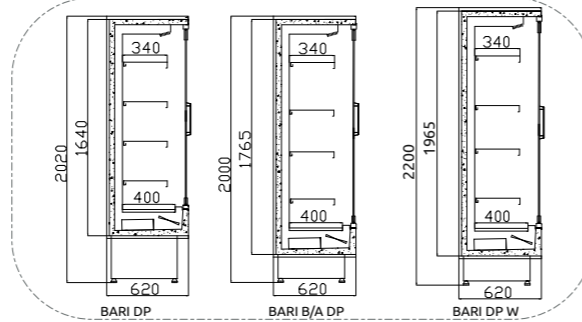
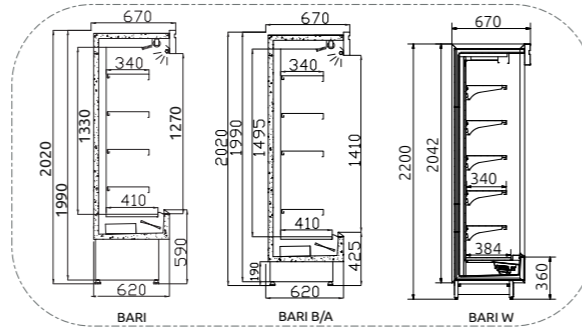


3H1 (+4°C + +10°C);
3H1 (+6°C + +10°C);
3H1 (+2°C + +8°C)

BARI

EXW BOCHNIA / EUR / VALID FROM: 01/02/24

CONTENTS



BASE VARIANT OF DEVICE

PLUG-IN			
MODULE	ID FOR ORDERING	LENGTH [mm]	NET PRICE [EUR]
R-12	B	1210	2 779
R-15	B	1580	3 177
R-19	B	1965	3 920
R-25	B	2570	4 873
R-30	B	3070	6 023

REMOTE			
MODULE	ID FOR ORDERING	LENGTH [mm]	NET PRICE [EUR]
R-12	B/o	1120	2 181
R-15	B/o	1490	2 473
R-19	B/o	1875	2 989
R-25	B/o	2480	3 421
R-30	B/o	2980	4 305
R-37	B/o	3750	4 964

DOOR QUANTITY

DP	DR
2	2
2	2
3	3
4	4
5	5

DOOR QUANTITY

DP	DR
2	2
2	2
3	3
4	4
5	5
6	6

SIDE PANEL THICKNESS: 45 mm

DEVICE CONFIGURATION OPTIONS:

	NET PRICE [EUR]	UM	ID FOR ORDERING
HINGED DOORS WITH SOFT-CLOSING SYSTEM, SINGLE GLASS	+447	LM	DP
SLIDING DOORS WITH DOUBLE GLAZING / INSULATED GLASS/	+408	LM	DR
SLIDING DOORS WITH DOUBLE GLAZING AND SOFT-CLOSING SYSTEM / INSULATED GLASS/	+573	LM	DR-H
VERSION DESIGNED FOR SELLING FRUITS AND VEGETABLES, WITH STAINLESS STEEL ACID-RESISTANT BOTTOM, EVAPORATOR PAINTING, UPPER MIRROR, 3 TIERS OF POWDER-COATED SHELVES	+151	LM	VE
HINGED DOORS WITH DOUBLE GLAZING AND SOFT-CLOSING SYSTEM / INSULATED GLASS/	+580	LM	DP-Z
WYSHEIGHT 2.2M, INCLUDES AN ADDITIONAL ROW OF SHELVES	+116	LM	/W
HINGED DOORS WITH SOFT-CLOSING SYSTEM, HIGH VERSION, SINGLE GLASS	+563	LM	DP /W
SLIDING DOORS WITH DOUBLE GLAZING/INSULATED GLASS/, HIGH VERSION	+548	LM	DR /W
SLIDING DOORS WITH DOUBLE GLAZING AND SOFT-CLOSING SYSTEM, HIGH VERSION	+690	LM	DR-H/W
VERSION DESIGNED FOR FRUITS AND VEGETABLES SALE, HIGH VERSION, FOUR ROWS OF SHELVES, BASE MADE OF ACID-RESISTANT STAINLESS STEEL OH11, EVAPORATOR PAINTING, UPPER MIRROR, 4 ROWS OF POWDER-COATED SHELVES	+267	LM	VE /W
HINGED DOORS WITH DOUBLE GLAZING AND SOFT-CLOSING SYSTEM, HIGH VERSION	+697	LM	DP-Z /W

ATTENTION:

DIFFERENCE IN STANDARD EQUIPMENT COMPARED TO THE BASE VARIANT



DYNAMIC COOLING



PLUG-IN REMOTE



MODULAR SYSTEM - SIMPLE ASSEMBLY OF LINES



REFRIGERANT: R290 - PLUG-IN; R449A - REMOTE

STANDARD EQUIPMENT FOR BASE VARIANT

	PLUG-IN	REMOTE
INTERNAL REFRIGERATION UNIT	✓	✓
REFRIGERATION POWER SUPPLIED EXCLUSIVELY BY AN EXTERNAL UNIT	✓	✓
DEVICE DESIGNED FOR MODULAR ASSEMBLY	✓	✓
DYNAMIC COOLING	✓	✓
ENERGY-EFFICIENT LED LIGHTING	✓	✓
SIDES MADE OF SHEET METAL (THICKNESS 45MM)	✓	✓
ECOLOGICAL POLYURETHANE FOAM INSULATION	✓	✓
INTERIOR AND SHELVES MADE OF POWDER-COATED GALVANIZED SHEET METAL, PAINTED WHITE	✓	✓
ADJUSTABLE HEIGHT AND ANGLE OF DISPLAY SHELVES - 4 ROWS	✓	✓
PRICE STRIPS	✓	✓
MANUAL NIGHT BLIND	✓	✓
FRONT BUMPER - CHOICE OF COLOR (GRAY, BLACK, RED)	✓	✓
ELECTRONIC TEMPERATURE CONTROLLER WITH DIGITAL DISPLAY	✓	✓
CONDENSATE DRAIN TO A CONDENSATE CONTAINER	✓	✓
CONDENSATE DRAINAGE TO SEWERAGE	✓	✓
DEFROSTING: AUTOMATIC	✓	✓
LEGS ALLOWING FOR DEVICE LEVELING	✓	✓
EXPANSION VALVE	✓	✓
REFRIGERATION POWER REQUIREMENT: T 0= -15°C [W/MB] AT AMBIENT TEMP. +25°C AND 60% RELATIVE HUMIDITY	✓	1300 W
FOR CLOSED MODELS - REFRIGERATION POWER REQUIREMENT: T 0= -15°C [W/MB] AT AMBIENT TEMP. +25°C AND 60% RELATIVE HUMIDITY	✓	900 W

OPTIONAL EQUIPMENT

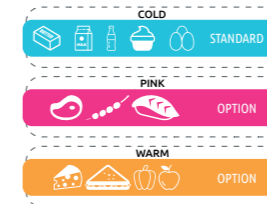
	REMARKS	UM	PRICE [EUR]
SHELF LIMITER	4 ROWS	LM	59
VERTICAL DIFFUSED LIGHTING INTEGRATED INTO THE SIDES OF THE UNIT		SET	142
ADDITIONAL UNDER-SHELF LED LIGHTING	4 ROWS	LM	155
FULL SIDES, INTERNALLY COVERED WITH H17 MIRROR-FINISH STAINLESS STEEL	SET	SET	155
FULL SIDES, INTERNALLY COVERED WITH OH18 ACID-RESISTANT STAINLESS STEEL	SET	SET	222
SIDE MADE OF WOODEN BOARD WITH H17 MIRROR-FINISH STAINLESS STEEL INTERNALLY		PC	341
ILLUMINATED TOP FRONT PANEL WITH LED LIGHTING		LM	58
MIRROR MOUNTED IN THE UPPER PART OF THE DEVICE	EXCLUDES ONE ROW OF SHELVES	LM	31
METAL SIDES WITH A DOUBLE-SIDED MIRROR ELEMENT	SET	SET	241
STAINLESS STEEL HOOK STRIP	ONE HOOK PER APPROX. 20CM	LM	109
ADDITIONAL HOOK	PER PIECE	PC	12
REINFORCED SHELVES FOR BEVERAGES	HIGHER LOAD CAPACITY	LM	50
ADDITIONAL ROW OF LACQUERED SHELVES	INCLUDING SUPPORT BRACKETS	LM	66
SHELVES MADE OF ACID-RESISTANT STAINLESS STEEL	4 ROWS OF SHELVES + BASE SHELF	LM	521
ADDITIONAL ROW OF ACID-RESISTANT STAINLESS STEEL SHELVES	INCLUDING SUPPORT BRACKETS	LM	112
INTERIOR MADE OF ACID-RESISTANT STAINLESS STEEL	BACK, GUIDES, BOTTOM, VENT SHEET WITHOUT SHELVES	LM	291
BASE SHELF MADE OF ACID-RESISTANT STAINLESS STEEL	RECOMMENDED FOR PICKLES DISPLAY	LM	96
BOTTOM/ELEMENT UNDER THE EVAPORATOR/ MADE OF ACID-RESISTANT STAINLESS STEEL	RECOMMENDED FOR PICKLES DISPLAY	LM	44
BOTTOM + FAN PLATE MADE OF ACID-RESISTANT STAINLESS STEEL	RECOMMENDED FOR PICKLES DISPLAY	LM	88
VERTICAL DIVIDER MADE OF PLEXIGLAS		PC	83
EVAPORATOR HEATERS		LM	104
FRONT FINISH WITH WOOD-LIKE PANEL	COLD COLOR RANGE	LM	33
PRICE TAG STRIPS	APPLIES TO AN ADDITIONAL ROW OF SHELVES	LM	2
INTERIOR POWDER-COATING IN A DIFFERENT RAL COLOR		LM	65
TEMPERATURE RECORDER (USB)		PC	208
POWDER-COATED EVAPORATOR		LM	80
ELECTRIC ROLLER SHUTTER	ELECTRICAL WITH MOTOR	LM	253
SET OF WHEELS /CASTERS/	R25, R30, R37 - REQUIRE 2 SETS PER MODULE	SET	121
AUTOMATIC CONDENSATE EVAPORATION (ELECTRIC) - FOR R25, R30 MODULES 2 PCS.	NOT AVAILABLE FOR VEGETABLE DISPLAY	PC	164
WOODEN PALLET	CALCULATED TO LENGTH (NO DISCOUNT)	LM	15
WOODEN CRATE	CALCULATED TO LENGTH (NO DISCOUNT)	LM	63
FRUIT AND VEGETABLE BOX		PC	14
KICK-PLATE /PLINTH/ MADE OF ACID-RESISTANT STAINLESS STEEL		LM	63

STANDARD FINISH



- A - BASE
- B - FRONT
- C - SIDE PANEL
- D - INTERIOR /BACK+ SHELVES/
- E - TOP ELEMENT

LIGHTING COLORS



FINISH OPTION TABLE:

A	B	C	D	E
RAL9005	RAL9005	D2360	RAL9005	D2360
RAL9003	RAL9003	D375	RAL9003	D375
RAL8016	RAL8016	D381	RAL8016	D381
RAL7024	RAL7024	D9103	RAL7024	D9103
RAL7047	RAL7047	D9110	RAL7047	D9110
RAL9007	RAL9007	D2380	RAL9007	D2380
RAL5005	RAL5005	D2841	RAL5005	D2841
RAL6029	RAL6029	D2713	RAL6029	D2713
RAL3020	RAL3020	D2226	RAL3020	D2226
RAL3003	RAL3003	D2609	RAL3003	D2609
RAL6018	RAL6018	D1972	RAL6018	D1972
RAL1019	RAL1019	D2842	RAL1019	D2842
RAL2004	RAL2004	D3025	RAL2004	D3025
RAL1021	RAL1021	D2610	RAL1021	D2610
RAL7012	RAL7012	AISI 304	RAL7012	AISI 304
RAL7016	RAL7016		RAL7016	
RAL1013	RAL1013		RAL1013	
RAL5010	RAL5010		RAL5010	
RAL7012	RAL7012		RAL7012	
RAL7035	RAL7035		RAL7035	
RAL7019	RAL7019		RAL7019	
RAL7043	RAL7043		RAL7043	
RAL9016	RAL9016		RAL9016	
RAL9011	RAL9011		RAL9011	
INOX - H17				
AISI 304				

AVAILABILITY OF FINISHES NOT INCLUDED IN THE TABLE - ON REQUEST



EXW Bochnia

P.P.U.H. COLD Spółka Jawna

+48 14 611 15 80

www.cold.pl

cold@cold.pl

49

50

MULTIDECK REFRIGERATED DISPLAY



PRAGA 2 (PLUG-IN/REMOTE)



3H1 (+4°C + +10°C);
3H1 (+6°C + +10°C);
3H1 (+2°C + +8°C)

PRAGA 2

EXW BOCHNIA / EUR / VALID FROM: 01/02/24

CONTENTS



BASE VARIANT OF DEVICE

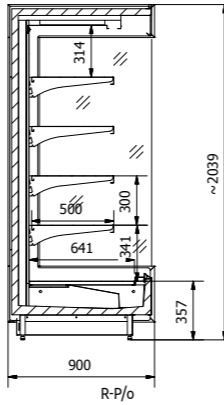
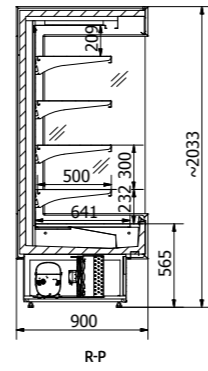
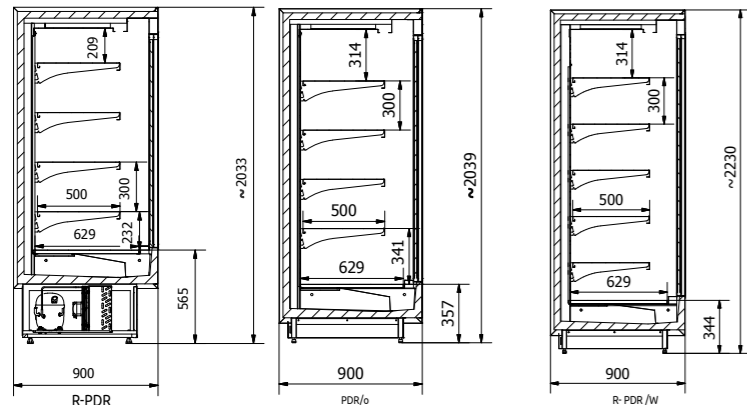
PLUG-IN			
MODULE	ID FOR ORDERING	LENGTH [mm]	NET PRICE [EUR]
R-12	P	1215	3 050
R-15	P	1580	3 388
R-19	P	1965	4 102
R-25	P	2570	5 052
R-30	P	3070	6 218

REMOTE			
MODULE	ID FOR ORDERING	LENGTH [mm]	NET PRICE [EUR]
R-12	P/o	1125	2 504
R-15	P/o	1490	2 771
R-19	P/o	1875	3 172
R-25	P/o	2480	3 606
R-30	P/o	2980	4 504
R-37	P/o	3750	5 170

DOOR QUANTITY	
DP	DR
2	2
2	2
3	3
4	4
5	5

DOOR QUANTITY	
DP	DR
2	2
2	2
3	3
4	4
5	5
6	6

SIDE PANEL THICKNESS 45 mm



ATTENTION: DIFFERENCE IN STANDARD EQUIPMENT COMPARED TO THE BASE VARIANT	DEVICE CONFIGURATION OPTIONS:		NET PRICE [EUR]	UM	ID FOR ORDERING	STANDARD HEIGHT 2000mm	HIGH VERSION 2200mm
	HINGED DOORS WITH SOFT-CLOSING SYSTEM, SINGLE GLASS		+447	LM	DP		
	SLIDING DOORS WITH DOUBLE GLAZING / INSULATED GLASS/		+408	LM	DR		
	SLIDING DOORS WITH DOUBLE GLAZING AND SOFT-CLOSING SYSTEM / INSULATED GLASS/		+573	LM	DR-H		
	VERSION DESIGNED FOR SELLING FRUITS AND VEGETABLES, WITH STAINLESS STEEL ACID-RESISTANT BOTTOM, EVAPORATOR PAINTING, UPPER MIRROR, 3 TIERS OF POWDER-COATED SHELVES		+151	LM	VE		
	HINGED DOORS WITH DOUBLE GLAZING AND SOFT-CLOSING SYSTEM / INSULATED GLASS/		+580	LM	DP-Z		
	WYSHEIGHT 2.2M, INCLUDES AN ADDITIONAL ROW OF SHELVES		+116	LM	/W		
	HINGED DOORS WITH SOFT-CLOSING SYSTEM, HIGH VERSION, SINGLE GLASS		+563	LM	DP /W		
	SLIDING DOORS WITH DOUBLE GLAZING/INSULATED GLASS/, HIGH VERSION		+548	LM	DR /W		
	SLIDING DOORS WITH DOUBLE GLAZING AND SOFT-CLOSING SYSTEM, HIGH VERSION		+690	LM	DR-H/W		
	VERSION DESIGNED FOR FRUITS AND VEGETABLES SALE, HIGH VERSION, FOUR ROWS OF SHELVES, BASE MADE OF ACID-RESISTANT STAINLESS STEEL OH11, EVAPORATOR PAINTING, UPPER MIRROR, 4 ROWS OF POWDER-COATED SHELVES		+267	LM	VE /W		
	HINGED DOORS WITH DOUBLE GLAZING AND SOFT-CLOSING SYSTEM, HIGH VERSION		+697	LM	DP-Z /W		

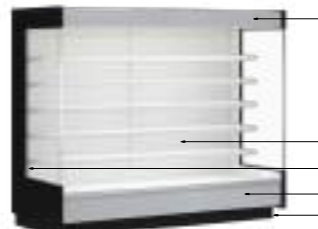
STANDARD EQUIPMENT FOR BASE VARIANT

	PLUG-IN	REMOTE
INTERNAL REFRIGERATION UNIT	✓	✓
REFRIGERATION POWER SUPPLIED EXCLUSIVELY BY AN EXTERNAL UNIT	✓	✓
DEVICE DESIGNED FOR MODULAR ASSEMBLY	✓	✓
DYNAMIC COOLING	✓	✓
ENERGY-EFFICIENT LED LIGHTING	✓	✓
SIDES MADE OF SHEET METAL (THICKNESS 45MM) WITH GLASS	✓	✓
ECOLOGICAL POLYURETHANE FOAM INSULATION	✓	✓
INTERIOR AND SHELVES MADE OF POWDER-COATED GALVANIZED SHEET METAL, PAINTED WHITE	✓	✓
ADJUSTABLE HEIGHT AND ANGLE OF DISPLAY SHELVES - 4 ROWS	✓	✓
PRICE STRIPS	✓	✓
MANUAL NIGHT BLIND	✓	✓
FRONT BUMPER - CHOICE OF COLOR (GRAY, BLACK, RED)	✓	✓
ELECTRONIC TEMPERATURE CONTROLLER WITH DIGITAL DISPLAY	✓	✓
CONDENSATE DRAIN TO A CONDENSATE CONTAINER	✓	✓
CONDENSATE DRAINAGE TO SEWERAGE	✓	✓
DEFROSTING: AUTOMATIC	✓	✓
LEGS ALLOWING FOR DEVICE LEVELING	✓	✓
EXPANSION VALVE	✓	✓
REFRIGERATION POWER REQUIREMENT: T 0= -15°C [W/MB] AT AMBIENT TEMP. +25°C AND 60% RELATIVE HUMIDITY	✓	1300 W
FOR CLOSED MODELS - REFRIGERATION POWER REQUIREMENT: T 0= -15°C [W/MB] AT AMBIENT TEMP. +25°C AND 60% RELATIVE HUMIDITY	✓	900 W

OPTIONAL EQUIPMENT

	REMARKS	UM	PRICE [EUR]
SHELF LIMITER	4 ROWS	LM	59
VERTICAL DIFFUSED LIGHTING INTEGRATED INTO THE SIDES OF THE UNIT		SET	142
ADDITIONAL UNDER-SHELF LED LIGHTING	4 ROWS	LM	155
FULL SIDES, INTERNALLY COVERED WITH H17 MIRROR-FINISH STAINLESS STEEL		SET	155
FULL SIDES, INTERNALLY COVERED WITH OH11 ACID-RESISTANT STAINLESS STEEL		SET	222
SIDE MADE OF WOODEN BOARD WITH H17 MIRROR-FINISH STAINLESS STEEL INTERNALLY		PC	341
ILLUMINATED TOP FRONT PANEL WITH LED LIGHTING		LM	58
MIRROR MOUNTED IN THE UPPER PART OF THE DEVICE	EXCLUDES ONE ROW OF SHELVES	LM	31
METAL SIDES WITH A DOUBLE-SIDED MIRROR ELEMENT		SET	241
STAINLESS STEEL HOOK STRIP	ONE HOOK PER APPROX. 20CM	LM	109
ADDITIONAL HOOK	PER PIECE	PC	12
REINFORCED SHELVES FOR BEVERAGES	HIGHER LOAD CAPACITY	LM	50
ADDITIONAL ROW OF LACQUERED SHELVES	INCLUDING SUPPORT BRACKETS	LM	66
SHELVES MADE OF ACID-RESISTANT STAINLESS STEEL	4 ROWS OF SHELVES + BASE SHELF	LM	521
ADDITIONAL ROW OF ACID-RESISTANT STAINLESS STEEL SHELVES	INCLUDING SUPPORT BRACKETS	LM	112
INTERIOR MADE OF ACID-RESISTANT STAINLESS STEEL	BACK, GUIDES, BOTTOM, VENT. SHEET WITHOUT SHELVES	LM	291
BASE SHELF MADE OF ACID-RESISTANT STAINLESS STEEL	RECOMMENDED FOR PICKLES DISPLAY	LM	96
BOTTOM/ELEMENT UNDER THE EVAPORATOR/ MADE OF ACID-RESISTANT STAINLESS STEEL	RECOMMENDED FOR PICKLES DISPLAY	LM	44
BOTTOM + FAN PLATE MADE OF ACID-RESISTANT STAINLESS STEEL	RECOMMENDED FOR PICKLES DISPLAY	LM	89
VERTICAL DIVIDER MADE OF PLEXIGLAS		PC	83
EVAPORATOR HEATERS		LM	104
FRONT FINISH WITH WOOD-LIKE PANEL	COLD COLOR RANGE	LM	33
PRICE TAG STRIPS	APPLIES TO AN ADDITIONAL ROW OF SHELVES	LM	2
INTERIOR POWDER-COATING IN A DIFFERENT RAL COLOR		LM	65
TEMPERATURE RECORDER (USB)		PC	208
POWDER-COATED EVAPORATOR		LM	80
ELECTRIC ROLLER SHUTTER		LM	253
SET OF WHEELS /CASTERS/	ELECTRICAL WITH MOTOR	LM	121
AUTOMATIC CONDENSATE EVAPORATION (ELECTRIC) - FOR R25, R30 MODULES 2 PCS.	R25, R30, R37 - REQUIRE 2 SETS PER MODULE	SET	164
WOODEN PALLET	NOT AVAILABLE FOR VEGETABLE DISPLAY	PC	15
WOODEN CRATE	CALCULATED TO LENGTH (NO DISCOUNT)	LM	63
FRUIT AND VEGETABLE BOX	CALCULATED TO LENGTH (NO DISCOUNT)	PC	14
KICK-PLATE /PLINTH/ MADE OF ACID-RESISTANT STAINLESS STEEL	PLASTIC 40CM X 60CM	LM	63

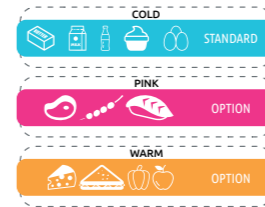
STANDARD FINISH



- A - KICK-PLATE /PLINTH/
- B - FRONT
- C - SIDE PANEL /SOLID OR WITH GLASS/
- D - INTERIOR /BACK+SHELVES/
- E - TOP PANEL



LIGHTING COLORS



FINISH OPTION TABLE:

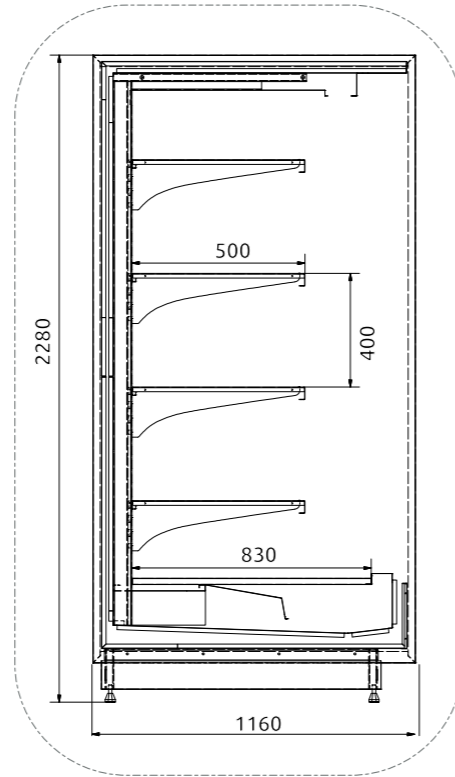
A	B	C	D	E
RAL9005	RAL9005	D2360	RAL9005	RAL9005
RAL9003	RAL9003	D375	RAL9003	RAL9003
RAL8016	RAL8016	D381	RAL8016	RAL8016
RAL7024	RAL7024	D9103	RAL7024	RAL7024
RAL7047	RAL7047	D9310	RAL7047	RAL7047
RAL9007	RAL9007	D2380	RAL9007	RAL9007
RAL5005	RAL5005	D2841	RAL5005	RAL5005
RAL6029	RAL6029	D2713	RAL6029	RAL6029
RAL3020	RAL3020	D2226	RAL3020	RAL3020
RAL3003	RAL3003	D2609	RAL3003	RAL3003
RAL6018	RAL6018	D1972	RAL6018	RAL6018
RAL1019	RAL1019	D2842	RAL1019	RAL1019
RAL2004	RAL2004	D3025	RAL2004	RAL2004
RAL1021	RAL1021	D2610	RAL1021	RAL1021
RAL7012	RAL7012	AI51 304	RAL7012	RAL7012
RAL7016	RAL7016		RAL7016	RAL7016
RAL1013	RAL1013		RAL1013	RAL1013
RAL5010	RAL5010		RAL5010	RAL5010
RAL7012	RAL7012		RAL7012	RAL7012
RAL7035	RAL7035		RAL7035	RAL7035
RAL7019	RAL7019		RAL7019	RAL7019
RAL7043	RAL7043		RAL7043	RAL7043
RAL9016	RAL9016		RAL9016	RAL9016
RAL9011	RAL9011		RAL9011	RAL9011
INOX - H17				
AI51 304				

AVAILABILITY OF FINISHES NOT INCLUDED IN THE TABLE - ON REQUEST



BASE VARIANT OF DEVICE

REMOTE				DOOR QUANTITY	
MODULE	ID FOR ORDERING	LENGTH [mm]	NET PRICE [EUR]	DP	DR
PRICE WITHOUT SIDE PANELS					
R-12	S/a	1130	2 296	2	2
R-25	S/a	2480	3 700	4	4
R-30	S/a	2980	4 714	5	5
R-37	S/a	3750	5 555	6	6
SIDE PANEL - 1 PIECE			243		
SIDE PANEL THICKNESS 45 mm					



STANDARD EQUIPMENT FOR BASE VARIANT

	REMOTE
INTERNAL REFRIGERATION UNIT	-
REFRIGERATION POWER SUPPLIED EXCLUSIVELY BY AN EXTERNAL UNIT	✓
DEVICE DESIGNED FOR MODULAR ASSEMBLY	✓
DYNAMIC COOLING	✓
ENERGY-EFFICIENT LED LIGHTING	✓
ECOLOGICAL POLYURETHANE FOAM INSULATION	✓
INTERIOR AND SHELVES MADE OF POWDER-COATED GALVANIZED SHEET METAL, PAINTED WHITE	✓
ADJUSTABLE HEIGHT AND ANGLE OF DISPLAY SHELVES - 4 ROWS	✓
PRICE STRIPS	✓
MANUAL NIGHT BLIND	✓
FRONT BUMPER - CHOICE OF COLOR (GRAY, BLACK, RED)	✓
ELECTRONIC TEMPERATURE CONTROLLER WITH DIGITAL DISPLAY	✓
CONDENSATE DRAIN TO A CONDENSATE CONTAINER	-
CONDENSATE DRAINAGE TO SEWERAGE	✓
DEFROSTING: AUTOMATIC	✓
LEGS ALLOWING FOR DEVICE LEVELING	✓
EXPANSION VALVE	✓
REFRIGERATION POWER REQUIREMENT: T 0= -15°C [W/MB] AT AMBIENT TEMP. +25°C AND 60% RELATIVE HUMIDITY	1300 W
FOR CLOSED MODELS - REFRIGERATION POWER REQUIREMENT: T 0= -15°C [W/MB] AT AMBIENT TEMP. +25°C AND 60% RELATIVE HUMIDITY	900 W

WYPOSAZENIE OPCJONALNE

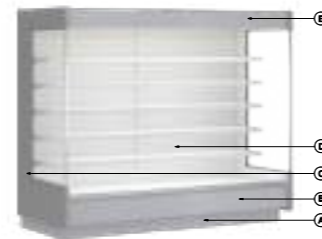
	UWAGI	JM	CENA[PLN]
INSULATED SIDE PANEL MADE OF PLASTIC (85MM) WITH DOUBLE GLAZING ELEMENT	MANDATORY OPTION FOR DEVICE CLOSURE	PC	243
SHELF LIMITER	4 ROWS	LM	59
VERTICAL DIFFUSED LIGHTING INTEGRATED INTO THE SIDES OF THE UNIT		SET	142
ADDITIONAL UNDER-SHELF LED LIGHTING	4 ROWS	LM	155
FULL SIDES, INTERNALLY COVERED WITH H17 MIRROR-FINISH STAINLESS STEEL	SET	SET	155
FULL SIDES, INTERNALLY COVERED WITH OH18 ACID-RESISTANT STAINLESS STEEL	SET	SET	222
SIDE MADE OF WOODEN BOARD WITH H17 MIRROR-FINISH STAINLESS STEEL INTERNALLY		PC	341
ILLUMINATED TOP FRONT PANEL WITH LED LIGHTING		LM	58
MIRROR MOUNTED IN THE UPPER PART OF THE DEVICE	EXCLUDES ONE ROW OF SHELVES	LM	31
METAL SIDES WITH A DOUBLE-SIDED MIRROR ELEMENT	SET	SET	241
STAINLESS STEEL HOOK STRIP	ONE HOOK PER APPROX. 20CM	LM	109
ADDITIONAL HOOK	PER PIECE	PC	12
REINFORCED SHELVES FOR BEVERAGES	HIGHER LOAD CAPACITY	LM	50
ADDITIONAL ROW OF LACQUERED SHELVES	INCLUDING SUPPORT BRACKETS	LM	66
SHELVES MADE OF ACID-RESISTANT STAINLESS STEEL	4 ROWS OF SHELVES + BASE SHELF	LM	521
ADDITIONAL ROW OF ACID-RESISTANT STAINLESS STEEL SHELVES	INCLUDING SUPPORT BRACKETS	LM	112
INTERIOR MADE OF ACID-RESISTANT STAINLESS STEEL	BACK, GUIDES, BOTTOM, VENT. SHEET WITHOUT SHELVES	LM	291
BASE SHELF MADE OF ACID-RESISTANT STAINLESS STEEL	RECOMMENDED FOR PICKLES DISPLAY	LM	96
BOTTOM/ELEMENT UNDER THE EVAPORATOR/ MADE OF ACID-RESISTANT STAINLESS STEEL	RECOMMENDED FOR PICKLES DISPLAY	LM	44
BOTTOM + FAN PLATE MADE OF ACID-RESISTANT STAINLESS STEEL	RECOMMENDED FOR PICKLES DISPLAY	LM	88
VERTICAL DIVIDER MADE OF PLEXIGLAS		PC	83
EVAPORATOR HEATERS		LM	104
FRONT FINISH WITH WOOD-LIKE PANEL	COLD COLOR RANGE	LM	33
PRICE TAG STRIPS	APPLIES TO AN ADDITIONAL ROW OF SHELVES	LM	2
INTERIOR POWDER-COATING IN A DIFFERENT RAL COLOR		LM	65
TEMPERATURE RECORDER (USB)		PC	208
POWDER-COATED EVAPORATOR		LM	80
ELECTRIC ROLLER SHUTTER	ELECTRICAL WITH MOTOR	LM	253
SET OF WHEELS /CASTERS/	R25,R30,R37 - REQUIRE 2 SETS PER MODULE	SET	121
AUTOMATIC CONDENSATE EVAPORATION (ELECTRIC) - FOR R25, R30 MODULES 2 PCS.	NOT AVAILABLE FOR VEGETABLE DISPLAY	PC	164
WOODEN PALLET	CALCULATED TO LENGTH (NO DISCOUNT)	LM	15
WOODEN CRATE	CALCULATED TO LENGTH (NO DISCOUNT)	LM	63
FRUIT AND VEGETABLE BOX	PLASTIC 40CM X 60CM	PC	14

ATTENTION!
DIFFERENCE IN STANDARD EQUIPMENT COMPARED TO THE BASE VARIANT

DEVICE CONFIGURATION OPTIONS:

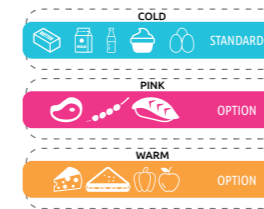
	NET PRICE [EUR]	UM	ID FOR ORDERING
HINGED DOORS WITH SOFT-CLOSING SYSTEM, SINGLE GLASS	+447	LM	DP
SLIDING DOORS WITH DOUBLE GLAZING / INSULATED GLASS/	+408	LM	DR
SLIDING DOORS WITH DOUBLE GLAZING AND SOFT-CLOSING SYSTEM /INSULATED GLASS/	+573	LM	DR-H
VERSION DESIGNED FOR SELLING FRUITS AND VEGETABLES, WITH STAINLESS STEEL ACID-RESISTANT BOTTOM, EVAPORATOR PAINTING, UPPER MIRROR, 3 TIERS OF POWDER-COATED SHELVES	+151	LM	VE
HINGED DOORS WITH DOUBLE GLAZING AND SOFT-CLOSING SYSTEM / INSULATED GLASS/	+580	LM	DP-Z

STANDARD FINISH



- A - KICK-PLATE /PLINTH/
- B - FRONT
- C - SIDE PANEL /SOLID OR WITH GLASS/
- D - INTERIOR /BACK+SHELVES/
- E - TOP PANEL

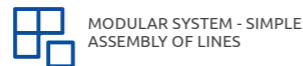
LIGHTING COLORS



FINISH OPTION TABLE:

A	B	C	D	E
RAL9005	RAL9005	D2360	RAL9005	D2360
RAL9003	RAL9003	D375	RAL9003	D375
RAL8016	RAL8016	D381	RAL8016	D381
RAL7024	RAL7024	D9103	RAL7024	D9103
RAL7047	RAL7047	D9310	RAL7047	D9310
RAL9007	RAL9007	D2380	RAL9007	D2380
RAL5005	RAL5005	D2841	RAL5005	D2841
RAL6029	RAL6029	D2713	RAL6029	D2713
RAL3020	RAL3020	D2226	RAL3020	D2226
RAL3003	RAL3003	D2609	RAL3003	D2609
RAL6018	RAL6018	D1972	RAL6018	D1972
RAL1019	RAL1019	D2842	RAL1019	D2842
RAL2004	RAL2004	D3025	RAL2004	D3025
RAL1021	RAL1021	D2610	RAL1021	D2610
RAL7012	RAL7012	INOX	RAL7012	INOX
RAL7016	RAL7016	ALSI 304	RAL7016	ALSI 304
RAL1013	RAL1013		RAL1013	
RAL5010	RAL5010		RAL5010	
RAL7012	RAL7012		RAL7012	
RAL7035	RAL7035		RAL7035	
RAL7019	RAL7019		RAL7019	
RAL7043	RAL7043		RAL7043	
RAL9016	RAL9016		RAL9016	
RAL9011	RAL9011		RAL9011	
INOX - H17			INOX	
ALSI 304			ALSI 304	

AVAILABILITY OF FINISHES NOT INCLUDED IN THE TABLE - ON REQUEST



MONTANA (PLUG-IN)



3H1 (+4°C + +10°C);
3H1 (+6°C + +10°C);
3H1 (+2°C + +8°C)

MONTANA

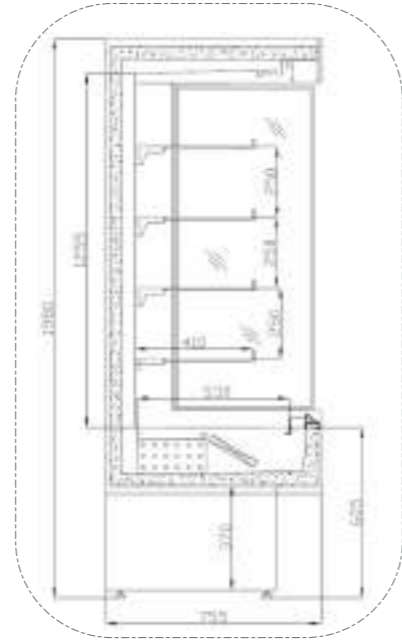
EXW BOCHNIA / EUR / VALID FROM: 01/02/24

CONTENTS



BASE VARIANT OF DEVICE

PLUG-IN				DOOR QUANTITY
MODULE	ID FOR ORDERING	LENGTH [mm]	NET PRICE [EUR]	DP
R-12	MNT	1260	2 996	2
R-15	MNT	1580	3 329	2
R-19	MNT	1965	4 044	3
R-25	MNT	2570	5 018	4



STANDARD EQUIPMENT FOR BASE VARIANT

	PLUG-IN
INTERNAL REFRIGERATION UNIT	✓
REFRIGERATION POWER SUPPLIED EXCLUSIVELY BY AN EXTERNAL UNIT	✓
DEVICE DESIGNED FOR MODULAR ASSEMBLY	AT NO COST
DYNAMIC COOLING	✓
ENERGY-EFFICIENT LED LIGHTING	✓
SIDES MADE OF SHEET METAL (THICKNESS 45MM) WITH GLASS	✓
ECOLOGICAL POLYURETHANE FOAM INSULATION	✓
INTERIOR AND SHELVES MADE OF POWDER-COATED GALVANIZED SHEET METAL, PAINTED WHITE	✓
ADJUSTABLE HEIGHT AND ANGLE OF DISPLAY SHELVES - 4 ROWS	✓
PRICE STRIPS	✓
MANUAL NIGHT BLIND	✓
FRONT BUMPER - CHOICE OF COLOR (GRAY, BLACK, RED)	✓
ELECTRONIC TEMPERATURE CONTROLLER WITH DIGITAL DISPLAY	✓
CONDENSATE DRAIN TO A CONDENSATE CONTAINER	✓
CONDENSATE DRAINAGE TO SEWERAGE	✓
DEFROSTING: AUTOMATIC	✓
LEGS ALLOWING FOR DEVICE LEVELING	✓

OPTIONAL EQUIPMENT

	REMARKS	UM	PRICE [EUR]
SHELF LIMITER	4 ROWS	LM	59
VERTICAL DIFFUSED LIGHTING INTEGRATED INTO THE SIDES OF THE UNIT		SET	142
ADDITIONAL UNDER-SHELF LED LIGHTING	4 ROWS	LM	155
FULL SIDES, INTERNALLY COVERED WITH H17 MIRROR-FINISH STAINLESS STEEL		SET	155
FULL SIDES, INTERNALLY COVERED WITH OH18 ACID-RESISTANT STAINLESS STEEL		SET	222
SIDE MADE OF WOODEN BOARD WITH H17 MIRROR-FINISH STAINLESS STEEL INTERNALLY		PC	341
ILLUMINATED TOP FRONT PANEL WITH LED LIGHTING		LM	58
MIRROR MOUNTED IN THE UPPER PART OF THE DEVICE	EXCLUDES ONE ROW OF SHELVES	LM	31
METAL SIDES WITH A DOUBLE-SIDED MIRROR ELEMENT		SET	241
STAINLESS STEEL HOOK STRIP	ONE HOOK PER APPROX. 20CM	LM	109
ADDITIONAL HOOK	PER PIECE	PC	12
REINFORCED SHELVES FOR BEVERAGES	HIGHER LOAD CAPACITY	LM	50
ADDITIONAL ROW OF LACQUERED SHELVES	INCLUDING SUPPORT BRACKETS	LM	66
SHELVES MADE OF ACID-RESISTANT STAINLESS STEEL	4 ROWS OF SHELVES + BASE SHELF	LM	521
ADDITIONAL ROW OF ACID-RESISTANT STAINLESS STEEL SHELVES	INCLUDING SUPPORT BRACKETS	LM	112
INTERIOR MADE OF ACID-RESISTANT STAINLESS STEEL	BACK, GUIDES, BOTTOM, VENT. SHEET WITHOUT SHELVES	LM	291
BASE SHELF MADE OF ACID-RESISTANT STAINLESS STEEL	RECOMMENDED FOR PICKLES DISPLAY	LM	96
BOTTOM ELEMENT UNDER THE EVAPORATOR / MADE OF ACID-RESISTANT STAINLESS STEEL	RECOMMENDED FOR PICKLES DISPLAY	LM	44
BOTTOM + FAN PLATE MADE OF ACID-RESISTANT STAINLESS STEEL	RECOMMENDED FOR PICKLES DISPLAY	LM	88
VERTICAL DIVIDER MADE OF PLEXIGLAS		PC	83
EVAPORATOR HEATERS		LM	104
FRONT FINISH WITH WOOD-LIKE PANEL	COLD COLOR RANGE	LM	33
PRICE TAG STRIPS	APPLIES TO AN ADDITIONAL ROW OF SHELVES	LM	2
INTERIOR POWDER-COATING IN A DIFFERENT RAL COLOR		LM	65
TEMPERATURE RECORDER (USB)		PC	208
POWDER-COATED EVAPORATOR		LM	80
ELECTRIC ROLLER SHUTTER	ELECTRICAL WITH MOTOR	LM	253
SET OF WHEELS /CASTERS/	R25, R30, R37 - REQUIRE 2 SETS PER MODULE	SET	121
AUTOMATIC CONDENSATE EVAPORATION (ELECTRIC) - FOR R25, R30 MODULES 2 PCS.	NOT AVAILABLE FOR VEGETABLE DISPLAY	PC	164
WOODEN PALLET	CALCULATED TO LENGTH (NO DISCOUNT)	LM	15
WOODEN CRATE	CALCULATED TO LENGTH (NO DISCOUNT)	LM	63
FRUIT AND VEGETABLE BOX	PLASTIC 40CM X 60CM	PC	14

ATTENTION!
DIFFERENCE IN STANDARD EQUIPMENT COMPARED TO THE BASE VARIANT

DEVICE CONFIGURATION OPTIONS:

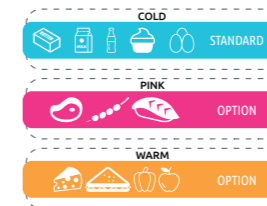
	NET PRICE [EUR]	UM	ID FOR ORDERING
HINGED DOORS WITH SOFT-CLOSING SYSTEM, SINGLE GLASS	+447	LM	DP
VERSION DESIGNED FOR SELLING FRUITS AND VEGETABLES, WITH STAINLESS STEEL ACID-RESISTANT BOTTOM, EVAPORATOR PAINTING, UPPER MIRROR, 3 TIERS OF POWDER-COATED SHELVES	+151	LM	VE

STANDARD FINISH



- A - KICK-PLATE /PLINTH/
- B - FRONT
- C - SIDE PANEL /SOLID OR WITH GLASS/
- D - INTERIOR /BACK+SHELVES/
- E - TOP PANEL

LIGHTING COLORS



FINISH OPTION TABLE:

A	B	C	D	E
RAL9005	RAL9005	D2360	RAL9005	RAL9005
RAL9003	RAL9003	D375	RAL9003	RAL9003
RAL0016	RAL0016	D381	RAL0016	RAL0016
RAL7024	RAL7024	D9103	RAL7024	RAL7024
RAL7047	RAL7047	D9310	RAL7047	RAL7047
RAL9007	RAL9007	D2380	RAL9007	RAL9007
RAL5005	RAL5005	D2841	RAL5005	RAL5005
RAL6029	RAL6029	D2713	RAL6029	RAL6029
RAL3020	RAL3020	D2226	RAL3020	RAL3020
RAL3003	RAL3003	D2609	RAL3003	RAL3003
RAL6018	RAL6018	D1972	RAL6018	RAL6018
RAL1019	RAL1019	D2842	RAL1019	RAL1019
RAL2004	RAL2004	D3025	RAL2004	RAL2004
RAL1021	RAL1021	D2510	RAL1021	RAL1021
RAL7012	RAL7012	INOX	RAL7012	INOX
RAL7016	RAL7016	AISI 304	RAL7016	RAL7016
RAL1013	RAL1013		RAL1013	RAL1013
RAL5010	RAL5010		RAL5010	RAL5010
RAL7012	RAL7012		RAL7012	RAL7012
RAL7035	RAL7035		RAL7035	RAL7035
RAL7019	RAL7019		RAL7019	RAL7019
RAL7043	RAL7043		RAL7043	RAL7043
RAL9016	RAL9016		RAL9016	RAL9016
RAL9011	RAL9011		RAL9011	RAL9011
INOX -H17			INOX	
AISI 304			AISI 304	

AVAILABILITY OF FINISHES NOT INCLUDED IN THE TABLE - ON REQUEST



DYNAMIC COOLING



PLUG-IN



MODULAR SYSTEM - SIMPLE ASSEMBLY OF LINES



REFRIGERANT: R290 -PLUG-IN

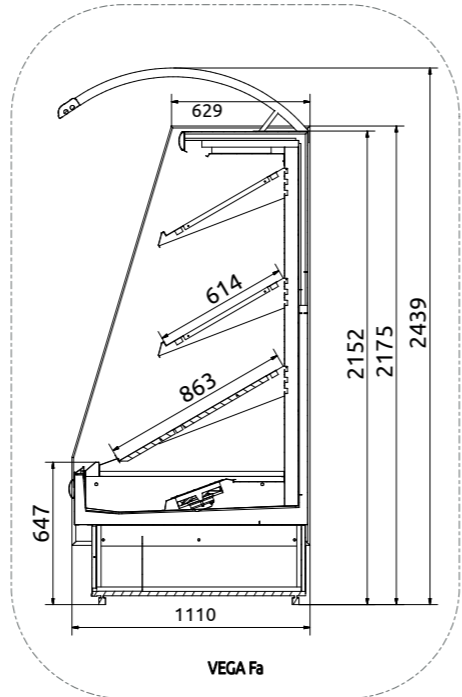
VEGA (PLUG-IN/REMOTE)



3H1 (+4°C ÷ +10°C);



CONTENTS



BASE VARIANT OF DEVICE

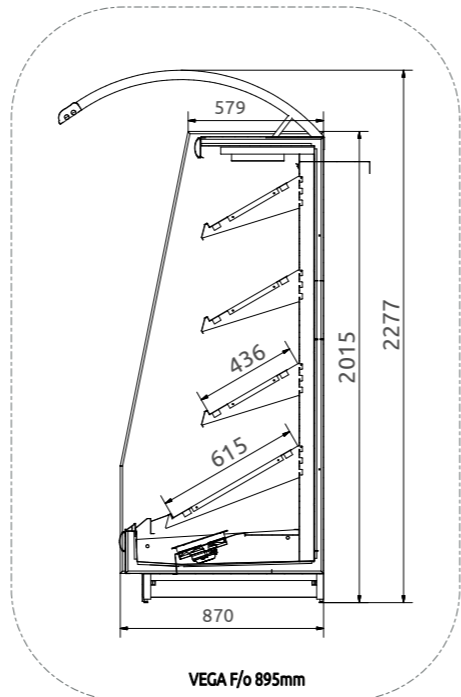
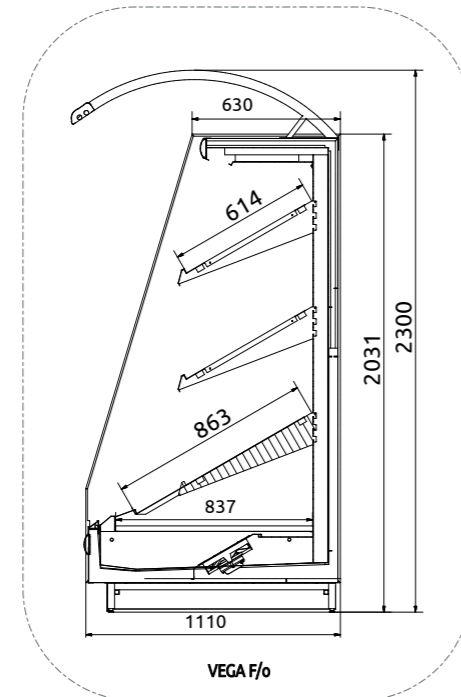
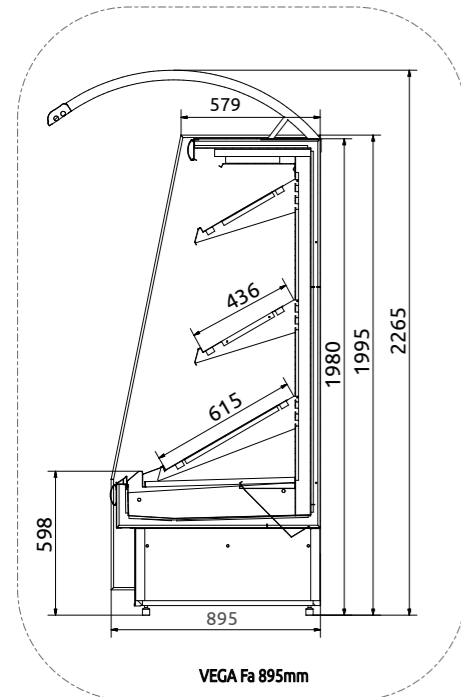
PLUG-IN			
MODULE	ID FOR ORDERING	LENGTH [mm]	NET PRICE [EUR]
R-13	Fa	1350	3 110
R-16	Fa	1600	3 643
R-19	Fa	1900	4 354
R-25	Fa	2500	5 390
R-30	Fa	2900	6 538

REMOTE			
MODULE	ID FOR ORDERING	LENGTH [mm]	NET PRICE [EUR]
R-13	F/o	1270	2 932
R-16	F/o	1520	3 066
R-19	F/o	1820	3 199
R-25	F/o	2420	3 776
R-30	F/o	2820	4 934
R-37	F/o	3750	6 183

AVAILABLE DEPTHS	
STANDARD	AT NO EXTRA CHARGE
1110mm	895mm

1110mm		895mm	
CRATES QUANTITY	CRATES QUANTITY	CRATES QUANTITY	CRATES QUANTITY
300 x 400	600 x 400	300 x 400	600 x 400
-	10	-	7
4	10	3	7
-	14	-	10
-	20	-	14
4	22	2	15

CRATES QUANTITY		CRATES QUANTITY	
300 x 400	600 x 400	300 x 400	600 x 400
-	10	-	9
4	10	4	9
-	14	-	13
-	20	-	18
4	22	3	19
-	30	-	27



STANDARD EQUIPMENT FOR BASE VARIANT	PLUG-IN	REMOTE
INTERNAL REFRIGERATION UNIT	✓	✓
REFRIGERATION POWER SUPPLIED EXCLUSIVELY BY AN EXTERNAL UNIT	✓	✓
DEVICE DESIGNED FOR MODULAR ASSEMBLY	✓	✓
DYNAMIC COOLING	✓	✓
ENERGY-EFFICIENT LED LIGHTING	✓	✓
SIDES MADE OF SHEET METAL (THICKNESS 45MM)	✓	✓
ECOLOGICAL POLYURETHANE FOAM INSULATION	✓	✓
INTERIOR AND SHELVES MADE OF POWDER-COATED GALVANIZED SHEET METAL, PAINTED WHITE	✓	✓
ADJUSTABLE HEIGHT AND ANGLE OF DISPLAY SHELVES - 4 ROWS	✓	✓
PRICE STRIPS	✓	✓
MANUAL NIGHT BLIND	✓	✓
FRONT BUMPER - CHOICE OF COLOR (GRAY, BLACK, RED)	✓	✓
ELECTRONIC TEMPERATURE CONTROLLER WITH DIGITAL DISPLAY	✓	✓
CONDENSATE DRAIN TO A CONDENSATE CONTAINER	✓	✓
CONDENSATE DRAINAGE TO SEWERAGE	✓	✓
DEFROSTING: AUTOMATIC	✓	✓
LEGS ALLOWING FOR DEVICE LEVELING	✓	✓
EXPANSION VALVE	✓	✓
REFRIGERATION POWER REQUIREMENT: T 0= -15°C [W/MB] AT AMBIENT TEMP. +25°C AND 60% RELATIVE HUMIDITY	✓	1300 W
FOR CLOSED MODELS - REFRIGERATION POWER REQUIREMENT: T 0= -15°C [W/MB] AT AMBIENT TEMP. +25°C AND 60% RELATIVE HUMIDITY	✓	900 W

OPTIONAL EQUIPMENT	REMARKS	UM	PRICE [EUR]
SHELF LIMITER	4 ROWS	LM	59
VERTICAL DIFFUSED LIGHTING INTEGRATED INTO THE SIDES OF THE UNIT		SET	142
ADDITIONAL UNDER-SHELF LED LIGHTING	4 ROWS	LM	155
FULL SIDES, INTERNALLY COVERED WITH 0H18 ACID-RESISTANT STAINLESS STEEL	SET	SET	222
SIDE MADE OF WOODEN BOARD WITH H17 MIRROR-FINISH STAINLESS STEEL INTERNALLY		PC	341
MIRROR MOUNTED IN THE UPPER PART OF THE DEVICE		LM	31
ADDITIONAL ROW OF LACQUERED SHELVES	INCLUDING SUPPORT BRACKETS	LM	66
SHELVES MADE OF ACID-RESISTANT STAINLESS STEEL	4 ROWS OF SHELVES + BASE SHELF	LM	521
ADDITIONAL ROW OF ACID-RESISTANT STAINLESS STEEL SHELVES		LM	112
INTERIOR MADE OF ACID-RESISTANT STAINLESS STEEL	BACK, GUIDES, BOTTOM, VENT. SHEET WITHOUT SHELVES	LM	291
BASE SHELF MADE OF ACID-RESISTANT STAINLESS STEEL	RECOMMENDED FOR PICKLES DISPLAY	LM	96
BOTTOM/ELEMENT UNDER THE EVAPORATOR/ MADE OF ACID-RESISTANT STAINLESS STEEL	RECOMMENDED FOR PICKLES DISPLAY	LM	44
BOTTOM + FAN PLATE MADE OF ACID-RESISTANT STAINLESS STEEL	RECOMMENDED FOR PICKLES DISPLAY	LM	88
EVAPORATOR HEATERS		LM	104
FRONT FINISH WITH WOOD-LIKE PANEL	COLD COLOR RANGE	LM	33
PRICE TAG STRIPS	APPLIES TO AN ADDITIONAL ROW OF SHELVES	LM	2
INTERIOR POWDER-COATING IN A DIFFERENT RAL COLOR		LM	65
TEMPERATURE RECORDER (USB)		PC	208
POWDER-COATED EVAPORATOR		LM	80
ELECTRIC ROLLER SHUTTER	ELECTRICAL WITH MOTOR	LM	253
SET OF WHEELS /CASTERS/		SET	121
AUTOMATIC CONDENSATE EVAPORATION (ELECTRIC) - FOR R25, R30 MODULES 2 PCS.	NOT AVAILABLE FOR VEGETABLE DISPLAY	PC	164
WOODEN PALLET	CALCULATED TO LENGTH (NO DISCOUNT)	LM	15
WOODEN CRATE	CALCULATED TO LENGTH (NO DISCOUNT)	LM	63
FRUIT AND VEGETABLE BOX	PLASTIC 40CM X 60CM	PC	14

STANDARD FINISH

A - KICK-PLATE /PLINTH/
B - FRONT
C - BUMPER
D - INTERIOR /BACK+SHELVES/
E - SIDE PANEL
F - LIGHTING BRACKET

LIGHTING COLORS

FINISH OPTION TABLE:

A	B	C	D	E	F
RAL9005	RAL9005	D2360	GREY	RAL9005	D2360
RAL9003	RAL9003	D375	BLACK	RAL9003	D375
RAL8016	RAL8016	D381	RED	RAL8016	D381
RAL7024	RAL7024	D9103		RAL7024	D9103
RAL7047	RAL7047	D9310		RAL7047	D9310
RAL9007	RAL9007	D2380		RAL9007	D2380
RAL5005	RAL5005	D2841		RAL5005	D2841
RAL6029	RAL6029	D2713		RAL6029	D2713
RAL3020	RAL3020	D2226		RAL3020	D2226
RAL3003	RAL3003	D2609		RAL3003	D2609
RAL6018	RAL6018	D1972		RAL6018	D1972
RAL1019	RAL1019	D2842		RAL1019	D2842
RAL2004	RAL2004	D3025		RAL2004	D3025
RAL1021	RAL1021	D2610		RAL1021	D2610
RAL7012	RAL7012	INOX		RAL7012	INOX
RAL7016	RAL7016	AI51 304		RAL7016	AI51 304
RAL1013	RAL1013			RAL1013	
RAL5010	RAL5010			RAL5010	
RAL7012	RAL7012			RAL7012	
RAL7035	RAL7035			RAL7035	
RAL7019	RAL7019			RAL7019	
RAL7043	RAL7043			RAL7043	
RAL9016	RAL9016			RAL9016	
RAL9011	RAL9011			RAL9011	
INOX - H17				INOX	
AI51 304				INOX 304	

AVAILABILITY OF FINISHES NOT INCLUDED IN THE TABLE - ON REQUEST

DYNAMIC COOLING

PLUG-IN REMOTE

MODULAR SYSTEM - SIMPLE ASSEMBLY OF LINES

REFRIGERANT: R290 - PLUG-IN; R449A - REMOTE



MULTIDECK FREEZER DISPLAYS





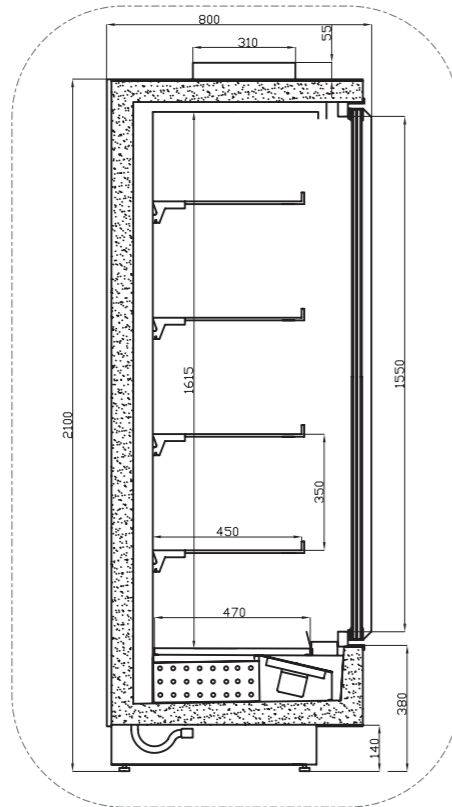
(-18C ÷ -22°C)

EXW BOCHNIA / EUR / VALID FROM: 01/02/24



BASE VARIANT OF DEVICE

REMOTE			
MODULE	ID FOR ORDERING	LENGTH (mm)	NET PRICE (EUR)
R-25	ARCTIC /3-doors/	2460	7 659
R-33	ARCTIC /4-doors/	3285	9 803



STANDARD EQUIPMENT FOR BASE VARIANT

	REMOTE
HEATED HINGED DOORS WITH SELF-CLOSING SYSTEM	✓
INTERNAL REFRIGERATION UNIT	-
REFRIGERATION POWER SUPPLIED EXCLUSIVELY BY AN EXTERNAL UNIT	✓
DEVICE DESIGNED FOR MODULAR ASSEMBLY	-
DYNAMIC COOLING	✓
ENERGY-EFFICIENT LED LIGHTING	✓
SIDES MADE OF SHEET METAL (THICKNESS 80MM)	✓
ECOLOGICAL POLYURETHANE FOAM INSULATION	✓
INTERIOR AND SHELVES MADE OF POWDER-COATED GALVANIZED SHEET METAL, PAINTED WHITE	✓
ADJUSTABLE HEIGHT OF DISPLAY SHELVES - 4 ROWS	✓
PRICE STRIPS	✓
FRONT BUMPER - CHOICE OF COLOR (GRAY, BLACK, RED)	✓
ELECTRONIC TEMPERATURE CONTROLLER WITH DIGITAL DISPLAY	✓
CONDENSATE DRAIN TO A CONDENSATE CONTAINER	-
CONDENSATE DRAINAGE TO SEWERAGE	✓
DEFROSTING: AUTOMATIC	✓
LEGS ALLOWING FOR DEVICE LEVELING	✓
EXPANSION VALVE	✓
REFRIGERATION POWER REQUIREMENT: T 0= -15°C [W/MB] AT AMBIENT TEMP. +25°C AND 60% RELATIVE HUMIDITY	1300 W

OPTIONAL EQUIPMENT

	REMARKS	UM	PRICE(EUR)
ADDITIONAL SHELF WITH BRACKETS		PC	40
VERTICAL DIFFUSED LIGHTING INTEGRATED INTO THE SIDES OF THE UNIT		SET	142
SIDE MADE OF WOODEN BOARD WITH H17 MIRROR-FINISH STAINLESS STEEL INTERNALLY	SET	SET	155
FULL SIDES, INTERNALLY COVERED WITH 0H18 ACID-RESISTANT STAINLESS STEEL	SET	SET	222
INTERIOR MADE OF ACID-RESISTANT STAINLESS STEEL	BACK, GUIDES, BOTTOM, VENT. SHEET WITHOUT SHELVES	LM	353
BASE SHELF MADE OF ACID-RESISTANT STAINLESS STEEL	RECOMMENDED FOR PICKLES DISPLAY	LM	96
BOTTOM/ELEMENT UNDER THE EVAPORATOR/ MADE OF ACID-RESISTANT STAINLESS STEEL	RECOMMENDED FOR PICKLES DISPLAY	LM	44
BOTTOM + FAN PLATE MADE OF ACID-RESISTANT STAINLESS STEEL	RECOMMENDED FOR PICKLES DISPLAY	LM	88
VERTICAL DIVIDER MADE OF PLEXIGLAS		PC	83
EVAPORATOR HEATERS		LM	104
PRICE TAG STRIPS	APPLIES TO AN ADDITIONAL ROW OF SHELVES	LM	2
INTERIOR POWDER-COATING IN A DIFFERENT RAL COLOR		LM	65
TEMPERATURE RECORDER (USB)		PC	208
POWDER-COATED EVAPORATOR		LM	80
SET OF WHEELS /CASTERS/		SET	121
WOODEN PALLET	CALCULATED TO LENGTH (NO DISCOUNT)	LM	15
WOODEN CRATE	CALCULATED TO LENGTH (NO DISCOUNT)	LM	63



DYNAMIC COOLING



PLUG-IN



REFRIGERANT: R290 - PLUG-IN

ALASKA (PLUG-IN)



-18C ÷ -22°C
+2C ÷ +8°C

ALASKA

EXW BOCHNIA / EUR / VALID FROM: 01/02/24

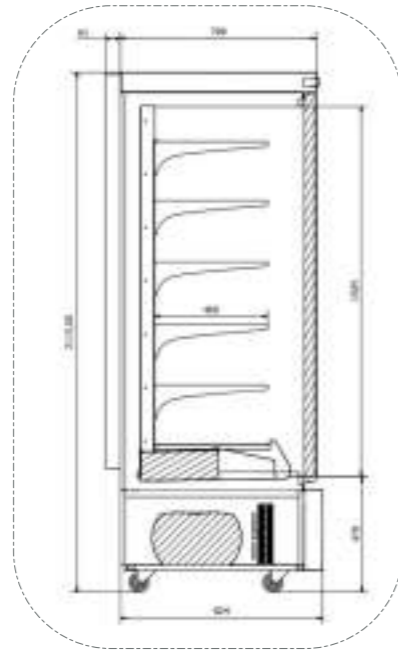
CONTENTS



BASE VARIANT OF DEVICE

PLUG-IN			
MODULE	ID FOR ORDERING	LENGTH [mm]	NET PRICE [EUR]
700	ALASKA MR	720	3 413
1400	ALASKA MR	1450	5 072

PLUG-IN			
MODULE	ID FOR ORDERING	LENGTH [mm]	NET PRICE [EUR]
700	ALASKA	720	2 962
1400	ALASKA	1450	3 523



STANDRD EQUIPMENT FOR BASE VARIANT

	PLUG-IN
DYNAMIC COOLING	✓
HEATED HINGED DOORS WITH SELF-CLOSING SYSTEM	✓
ENERGY-EFFICIENT REFRIGERATION UNIT POWERED BY ECO-FRIENDLY R290 REFRIGERANT	✓
POWDER-COATED INTERIOR - RAL 9005	✓
POWDER-COATED EXTERNAL BODY - RAL 9005	✓
ECOLOGICAL POLYURETHANE FOAM INSULATION	✓
METAL, PLASTIC-COATED, WIRE SHELVES WITH ADJUSTABLE POSITIONING	✓
ELECTRONIC TEMPERATURE CONTROLLER WITH DIGITAL DISPLAY	✓
AUTOMATIC CONDENSATE EVAPORATION	✓
AUTOMATIC DEFROSTING	✓
ADJUSTABLE FEET FOR DEVICE LEVELING	✓
ENERGY-EFFICIENT LED LIGHTING	✓
EVAPORATOR HEATERS	✓

OPTIONAL EQUIPMENT

	REMARKS	UM	PRICE[EUR]
PRICE TAG STRIPS - 5 SZTUK		SET	24
PRICE TAG STRIPS - 10 SZTUK		SET	48
ADDITIONAL SHELF WITH BRACKETS		PC	21
ADDITIONAL REINFORCED SHELF WITH BRACKETS	HIGHER LOAD CAPACITY	PC	35
GASTRO FEET		SET	57
INTERIOR MADE OF ACID-RESISTANT STAINLESS STEEL OH18 - SINGLE DOOR DISPLAY	APPLIES TO 700 MODULE	SET	569
INTERIOR MADE OF ACID-RESISTANT STAINLESS STEEL OH18 - DOUBLE DOOR DISPLAY	APPLIES TO 1400 MODULE	SET	1 137
BOTTOM MADE OF ACID-RESISTANT STAINLESS STEEL OH18 - SINGLE DOOR DISPLAY	APPLIES TO 500, 600, 700 MODULES	SET	91
BOTTOM MADE OF ACID-RESISTANT STAINLESS STEEL OH18 - DOUBLE DOOR DISPLAY	APPLIES TO 1200, 1400 MODULES	SET	183
TEMPERATURE RECORDER (USB)		PC	193
EXTERNAL BODY POWDER COATING - DIFFERENT RAL - SINGLE DOOR DISPLAY	APPLIES TO 500, 600, 700 MODULES	SET	29
EXTERNAL BODY POWDER COATING - DIFFERENT RAL - DOUBLE DOOR DISPLAY	APPLIES TO 1200, 1400 MODULES	SET	58
SET OF WHEELS /CASTERS/		SET	108
WOODEN PALLET	CALCULATED TO LENGTH (NO DISCOUNT)	LM	23
WOODEN CRATE	CALCULATED TO LENGTH (NO DISCOUNT)	LM	61



DYNAMIC COOLING



REFRIGERANT: R290 - PLUG-IN



REFRIGERATED CABINETS





BASE VARIANT OF DEVICE

PLUG-IN			
MODULE	ID FOR ORDERING	LENGTH [mm]	NET PRICE [EUR]
SW-500	DP	655	1 521
SW-600	DP	725	1 592
SW-700	DP	830	1 634
SW-1200	DP	1225	2 079
SW-1400	DP	1425	2 144
SW-1600	DP	1620	2 180

PLUG-IN			
MODULE	ID FOR ORDERING	LENGTH [mm]	NET PRICE [EUR]
SW-500	DP A/G	655	1 550
SW-600	DP A/G	725	1 623
SW-700	DP A/G	830	1 666
SW-1200	DP A/G	1225	2 120
SW-1400	DP A/G	1425	2 186
SW-1600	DP A/G	1620	2 223

PLUG-IN			
MODULE	ID FOR ORDERING	LENGTH [mm]	NET PRICE [EUR]
SW-600	II DP-v	725	1 720
SW-1200	II DP-v	1225	2 328
SW-1400	II DP-v	1425	2 367

PLUG-IN			
MODULE	ID FOR ORDERING	LENGTH [mm]	NET PRICE [EUR]
SW-1200	DR	1225	2 144
SW-1400	DR	1425	2 205
SW-1600	DR	1620	2 227

PLUG-IN			
MODULE	ID FOR ORDERING	LENGTH [mm]	NET PRICE [EUR]
SW-1200	DR A/G	1225	2 186
SW-1400	DR A/G	1425	2 247
SW-1600	DR A/G	1620	2 271

PLUG-IN			
MODULE	ID FOR ORDERING	LENGTH [mm]	NET PRICE [EUR]
SW-1200	II DR-v	1225	2 302
SW-1400	II DR-v	1425	2 427

PLUG-IN -18°C ÷ -22°C			
MODULE	ID FOR ORDERING	LENGTH [mm]	NET PRICE [EUR]
SW-700	G MR A/G	720	2 552
SW-1400	G MR A/G	1450	4 067



ASTANA DP

ASTANA DP AG



ASTANA DR

ASTANA DR AG



ASTANA G MR AG

STANDARD EQUIPMENT OF THE BASE VARIANT	DP	DP A/G	II DP	DR	DR A/G	II DR	G MR A/G
INTERNAL COOLING UNIT LOCATED AT THE BOTTOM	✓	✓	✓	✓	✓	✓	✓
INTERNAL COOLING UNIT LOCATED AT THE TOP	✓	✓	✓	✓	✓	✓	✓
STATIC COOLING	✓	✓	✓	✓	✓	✓	✓
DYNAMIC COOLING			✓			✓	✓
FULL HINGED DOORS							
HINGED DOORS WITH INSULATED GLASS	✓	✓	✓	✓	✓	✓	✓
SLIDING DOORS WITH INSULATED GLASS				✓	✓	✓	✓
REAR WALL WITH INSULATED GLASS			✓			✓	
FAN STOP SWITCH WHEN DOORS ARE OPEN	✓	✓	✓	✓	✓	✓	✓
ENERGY-EFFICIENT COOLING UNIT	✓	✓	✓	✓	✓	✓	✓
BOTTOM AND BACK OF THE CABINET MADE OF STAINLESS STEEL	✓	✓	✓	✓	✓	✓	✓
INTERIOR OF THE CABINET MADE OF ACID-RESISTANT STAINLESS STEEL							✓
EXTERIOR BODY MADE OF POWDER-COATED GALVANIZED STEEL IN WHITE	✓	✓	✓	✓	✓	✓	✓
ECOLOGICAL POLYURETHANE FOAM INSULATION	✓	✓	✓	✓	✓	✓	✓
METAL, COATED, ADJUSTABLE WIRE SHELVES	✓	✓	✓	✓	✓	✓	✓
ELECTRONIC TEMPERATURE CONTROLLER WITH DIGITAL DISPLAY	✓	✓	✓	✓	✓	✓	✓
AUTOMATIC EVAPORATION OF CONDENSATE	✓	✓	✓	✓	✓	✓	✓
AUTOMATIC DEFROSTING	✓	✓	✓	✓	✓	✓	✓
ADJUSTABLE FEET FOR LEVELING	✓	✓	✓	✓	✓	✓	✓
ENERGY-EFFICIENT LED LIGHTING	✓	✓	✓	✓	✓	✓	✓

OPTIONAL EQUIPMENT	REMARKS	UM	PRICE [EUR]
PRICE TAG STRIPS - 5 PIECES		SET	24
PRICE TAG STRIPS - 10 PIECES		SET	48
DYNAMIC COOLING - SINGLE DOOR CABINET	APPLIES TO 500, 600, 700	PC	61
DYNAMIC COOLING - DOUBLE DOOR CABINET	APPLIES TO 1200, 1400, 1600	PC	92
ADDITIONAL STAINLESS STEEL SHELF WITH BRACKETS		PC	57
ADDITIONAL SHELF WITH BRACKETS		PC	21
ADDITIONAL REINFORCED SHELF WITH BRACKETS		PC	35
GASTRO FEET		SET	57
ILLUMINATED TOP PANEL - SINGLE CABINET	APPLIES TO 500, 600, 700	SET	43
ILLUMINATED TOP PANEL - DOUBLE CABINET	APPLIES TO 1200, 1400	SET	61
INTERIOR - ACID-RESISTANT STAINLESS STEEL OH18 - SINGLE CABINET	APPLIES TO 500, 600, 700	SET	238
INTERIOR - ACID-RESISTANT STAINLESS STEEL OH18 - DOUBLE CABINET	APPLIES TO 1200, 1400	SET	466
EXTERIOR - ACID-RESISTANT STAINLESS STEEL OH18 - SINGLE CABINET	APPLIES TO 500, 600, 700	SET	316
EXTERIOR - ACID-RESISTANT STAINLESS STEEL OH18 - DOUBLE CABINET	APPLIES TO 1200, 1400	SET	518
BOTTOM MADE OF ACID-RESISTANT STAINLESS STEEL OH18 - SINGLE DOOR DISPLAY	APPLIES TO 500, 600, 700	SET	91
BOTTOM MADE OF ACID-RESISTANT STAINLESS STEEL OH18 - DOUBLE DOOR DISPLAY	APPLIES TO 1200, 1400	SET	122
TEMPERATURE RECORDER (USB)		PC	193
DOOR LOCK - SINGLE DOOR	APPLIES TO 500, 600, 700	SET	21
DOOR LOCK - DOUBLE DOOR	APPLIES TO 1200, 1400, 1600	SET	42
FIXED VERTICAL DIVIDER II K - DOUBLE CABINET ONLY	ONLY WITH STATIC COOLING	PC	85
FIXED VERTICAL DIVIDER II K - INOX - DOUBLE CABINET ONLY	ONLY WITH STATIC COOLING	PC	190
EXTERNAL BODY POWDER COATING - DIFFERENT RAL - SINGLE DOOR DISPLAY		SET	29
EXTERNAL BODY POWDER COATING - DIFFERENT RAL - DOUBLE DOOR DISPLAY		SET	58
SET OF WHEELS /CASTERS/		SET	108
WOODEN PALLET	CALCULATED TO LENGTH (NO DISCOUNT)	LM	23
WOODEN CRATE	CALCULATED TO LENGTH (NO DISCOUNT)	LM	61



LOWER OR UPPER MOUNTING OF THE COOLING UNIT



REFRIGERANT: R290 - PLUG-IN



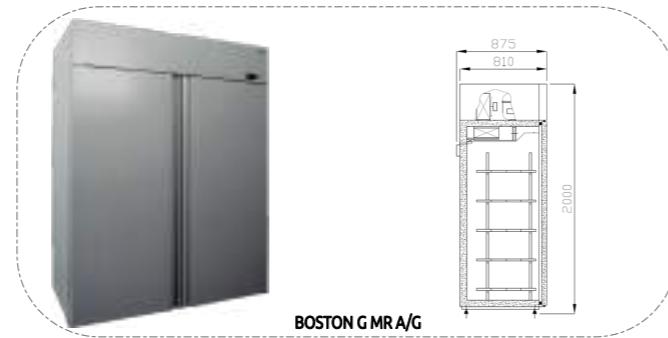
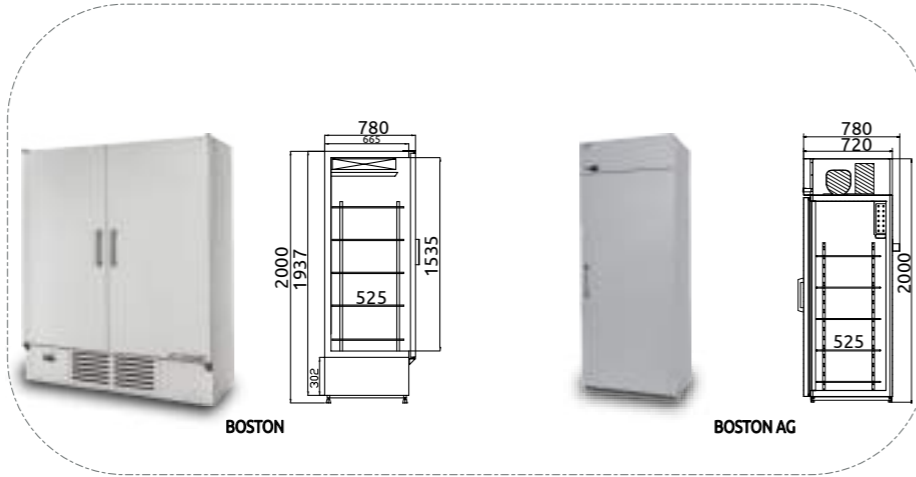
BASE VARIANT OF THE DEVICE

PLUG-IN			
MODULE	ID FOR ORDERING	LENGTH [mm]	NET PRICE [EUR]
S-500	S	655	1 520
S-700	S	830	1 640
S-1200	S	1420	1 984
S-1400	S	1620	2 020

PLUG-IN			
MODULE	ID FOR ORDERING	LENGTH [mm]	NET PRICE [EUR]
S-500	S A/G	655	1 541
S-700	S A/G	830	1 670
S-1200	S A/G	1420	2 020
S-1400	S A/G	1620	2 056

PLUG-IN			
MODULE	ID FOR ORDERING	LENGTH [mm]	NET PRICE [EUR]
S-700	G A/G	720	1 757
S-1400	G A/G	1450	2 627

PLUG-IN -18°C ÷ +22°C			
MODULE	ID FOR ORDERING	LENGTH [mm]	NET PRICE [EUR]
S-700	G MR A/G	720	2 106
S-1400	G MR A/G	1450	3 098



WYPOSAŻENIE STANDARDOWE	S	S AG	S G AG	S G MR AG
INTERNAL COOLING UNIT LOCATED AT THE BOTTOM	✓			
INTERNAL COOLING UNIT LOCATED AT THE TOP		✓	✓	✓
STATIC COOLING	✓	✓	✓	
DYNAMIC COOLING				✓
FULL HINGED DOORS	✓	✓	✓	✓
HINGED DOORS WITH INSULATED GLASS				
SLIDING DOORS WITH INSULATED GLASS				
REAR WALL WITH INSULATED GLASS				
FAN STOP SWITCH WHEN DOORS ARE OPEN	✓	✓	✓	✓
ENERGY-EFFICIENT COOLING UNIT	✓	✓	✓	✓
BOTTOM AND BACK OF THE CABINET MADE OF ALUMINUM	✓	✓	✓	
INTERIOR OF THE CABINET MADE OF ACID-RESISTANT STAINLESS STEEL				✓
EXTERIOR BODY MADE OF POWDER-COATED GALVANIZED STEEL IN WHITE	✓	✓	✓	✓
ECOLOGICAL POLYURETHANE FOAM INSULATION	✓	✓	✓	✓
METAL, COATED, ADJUSTABLE WIRE SHELVES	✓	✓	✓	✓
ELECTRONIC TEMPERATURE CONTROLLER WITH DIGITAL DISPLAY	✓	✓	✓	✓
AUTOMATIC EVAPORATION OF CONDENSATE	✓	✓	✓	✓
AUTOMATIC DEFROSTING	✓	✓	✓	✓
ADJUSTABLE FEET FOR LEVELING	✓	✓	✓	✓
ENERGY-EFFICIENT LED LIGHTING	✓	✓	✓	✓

OPTIONAL EQUIPMENT	REMARKS	UM	PRICE [EUR]
PRICE TAG STRIPS - 5 PIECES		SET	24
PRICE TAG STRIPS - 10 PIECES		SET	48
DYNAMIC COOLING - SINGLE DOOR CABINET	APPLIES TO 500, 600, 700	PC	61
DYNAMIC COOLING - DOUBLE DOOR CABINET	APPLIES TO 1200, 1400, 1600	PC	92
ADDITIONAL STAINLESS STEEL SHELF WITH BRACKETS		PC	57
ADDITIONAL SHELF WITH BRACKETS		PC	21
ADDITIONAL REINFORCED SHELF WITH BRACKETS		PC	35
GASTRO FEET		SET	57
ILLUMINATED TOP PANEL - SINGLE CABINET	APPLIES TO 500, 600, 700	SET	43
ILLUMINATED TOP PANEL - DOUBLE CABINET	APPLIES TO 1200, 1400	SET	61
INTERIOR - ACID-RESISTANT STAINLESS STEEL OH18 - SINGLE CABINET	APPLIES TO 500, 600, 700	SET	238
INTERIOR - ACID-RESISTANT STAINLESS STEEL OH18 - DOUBLE CABINET	APPLIES TO 1200, 1400	SET	466
EXTERIOR - ACID-RESISTANT STAINLESS STEEL OH18 - SINGLE CABINET	APPLIES TO 500, 600, 700	SET	316
EXTERIOR - ACID-RESISTANT STAINLESS STEEL OH18 - DOUBLE CABINET	APPLIES TO 1200, 1400	SET	518
BOTTOM MADE OF ACID-RESISTANT STAINLESS STEEL OH18 - SINGLE DOOR DISPLAY	APPLIES TO 500, 600, 700	SET	91
BOTTOM MADE OF ACID-RESISTANT STAINLESS STEEL OH18 - DOUBLE DOOR DISPLAY	APPLIES TO 1200, 1400	SET	122
TEMPERATURE RECORDER (USB)		PC	193
DOOR LOCK - SINGLE DOOR	APPLIES TO 500, 600, 700	SET	21
DOOR LOCK - DOUBLE DOOR	APPLIES TO 1200, 1400, 1600	SET	42
FIXED VERTICAL DIVIDER II K - DOUBLE CABINET ONLY	ONLY WITH STATIC COOLING	PC	85
FIXED VERTICAL DIVIDER II K - INOX - DOUBLE CABINET ONLY	ONLY WITH STATIC COOLING	PC	190
EXTERNAL BODY POWDER COATING - DIFFERENT RAL - SINGLE DOOR DISPLAY		SET	29
EXTERNAL BODY POWDER COATING - DIFFERENT RAL - DOUBLE DOOR DISPLAY		SET	58
SET OF WHEELS /CASTERS/		SET	108
WOODEN PALLET	CALCULATED TO LENGTH (NO DISCOUNT)	LM	23
WOODEN CRATE	CALCULATED TO LENGTH (NO DISCOUNT)	LM	61



LOWER OR UPPER MOUNTING OF THE COOLING UNIT



REFRIGERANT: R290 - PLUG-IN;

DENVER (PLUG-IN)

+2°C ÷ +8°C

DENVER

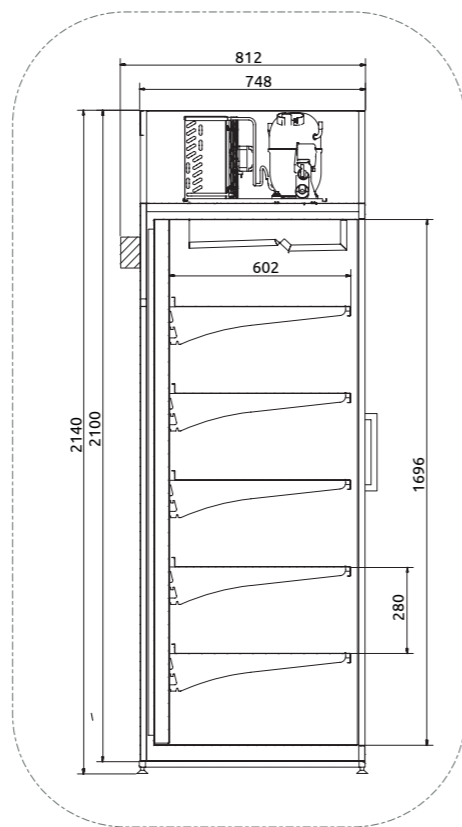
EXW BOCHNIA / EUR / VALID FROM: 01/02/24

CONTENTS



BASE VARIANT OF DEVICE

PLUG-IN			
MODULE	ID FOR ORDERING	LENGTH [mm]	NET PRICE [EUR]
SW-1600	III DP A/G	1645	2 644



WYPOSAŻENIE STANDARDOWE

SW-1600

INTERNAL COOLING UNIT LOCATED AT THE BOTTOM	✓
INTERNAL COOLING UNIT LOCATED AT THE TOP	✓
STATIC COOLING	✓
DYNAMIC COOLING	✓
FULL HINGED DOORS	✓
HINGED DOORS WITH INSULATED GLASS	✓
SLIDING DOORS WITH INSULATED GLASS	✓
REAR WALL WITH INSULATED GLASS	✓
FAN STOP SWITCH WHEN DOORS ARE OPEN	✓
ENERGY-EFFICIENT COOLING UNIT	✓
BOTTOM THE CABINET MADE OF STAINLESS STEEL	✓
INTERIOR OF THE CABINET MADE OF ACID-RESISTANT STAINLESS STEEL	✓
EXTERIOR BODY MADE OF POWDER-COATED GALVANIZED STEEL IN WHITE	✓
ECOLOGICAL POLYURETHANE FOAM INSULATION	✓
METAL, COATED, ADJUSTABLE WIRE SHELVES	✓
ELECTRONIC TEMPERATURE CONTROLLER WITH DIGITAL DISPLAY	✓
AUTOMATIC EVAPORATION OF CONDENSATE	✓
AUTOMATIC DEFROSTING	✓
ADJUSTABLE FEET FOR LEVELING	✓
ENERGY-EFFICIENT LED LIGHTING	✓

OPTIONAL EQUIPMENT

	REMARKS	UM	PRICE [EUR]
PRICE TAG STRIPS - 5 PIECES		SET	24
PRICE TAG STRIPS - 10 PIECES		SET	48
DYNAMIC COOLING - SINGLE DOOR CABINET	APPLIES TO 500, 600, 700	PC	61
DYNAMIC COOLING - DOUBLE DOOR CABINET	APPLIES TO 1200, 1400, 1600	PC	92
ADDITIONAL STAINLESS STEEL SHELF WITH BRACKETS		PC	57
ADDITIONAL SHELF WITH BRACKETS		PC	21
ADDITIONAL REINFORCED SHELF WITH BRACKETS		PC	35
GASTRO FEET		SET	57
ILLUMINATED TOP PANEL - SINGLE CABINET	APPLIES TO 500, 600, 700	SET	43
ILLUMINATED TOP PANEL - DOUBLE CABINET	APPLIES TO 1200, 1400	SET	61
INTERIOR - ACID-RESISTANT STAINLESS STEEL OH18 - SINGLE CABINET	APPLIES TO 500, 600, 700	SET	238
INTERIOR - ACID-RESISTANT STAINLESS STEEL OH18 - DOUBLE CABINET	APPLIES TO 1200, 1400	SET	466
EXTERIOR - ACID-RESISTANT STAINLESS STEEL OH18 - SINGLE CABINET	APPLIES TO 500, 600, 700	SET	316
EXTERIOR - ACID-RESISTANT STAINLESS STEEL OH18 - DOUBLE CABINET	APPLIES TO 1200, 1400	SET	518
BOTTOM MADE OF ACID-RESISTANT STAINLESS STEEL OH18 - SINGLE DOOR DISPLAY	APPLIES TO 500, 600, 700	SET	91
BOTTOM MADE OF ACID-RESISTANT STAINLESS STEEL OH18 - DOUBLE DOOR DISPLAY	APPLIES TO 1200, 1400	SET	122
TEMPERATURE RECORDER (USB)		PC	193
DOOR LOCK - SINGLE DOOR	APPLIES TO 500, 600, 700	SET	21
DOOR LOCK - DOUBLE DOOR	APPLIES TO 1200, 1400, 1600	SET	42
FIXED VERTICAL DIVIDER II K - DOUBLE CABINET ONLY	ONLY WITH STATIC COOLING	PC	85
FIXED VERTICAL DIVIDER II K - INOX - DOUBLE CABINET ONLY	ONLY WITH STATIC COOLING	PC	190
EXTERNAL BODY POWDER COATING - DIFFERENT RAL - SINGLE DOOR DISPLAY		SET	29
EXTERNAL BODY POWDER COATING - DIFFERENT RAL - DOUBLE DOOR DISPLAY		SET	58
SET OF WHEELS /CASTERS/		SET	108
WOODEN PALLET	CALCULATED TO LENGTH (NO DISCOUNT)	LM	23
WOODEN CRATE	CALCULATED TO LENGTH (NO DISCOUNT)	LM	61



UPPER MOUNTING OF THE COOLING UNIT

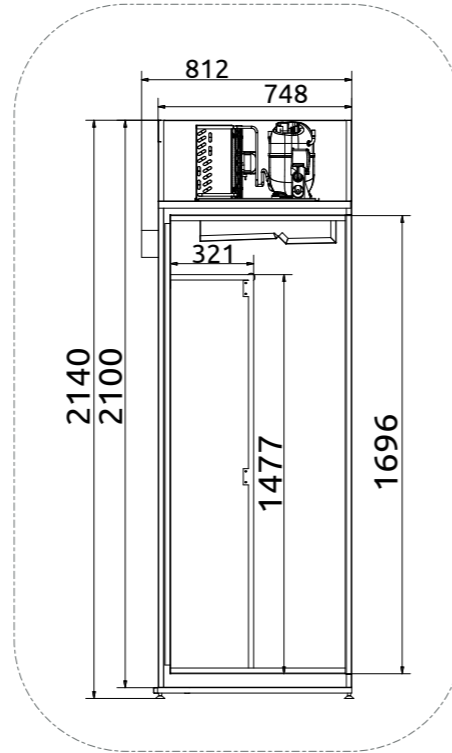


REFRIGERANT: R290 - PLUG-IN;



BASE VARIANT OF DEVICE

PLUG-IN			
MODULE	ID FOR ORDERING	LENGTH [mm]	NET PRICE [EUR]
S-1400	BUFFALO A/G	1450	3 098



WYPOSAŻENIE STANDARDOWE		S-1400
INTERNAL COOLING UNIT LOCATED AT THE BOTTOM		-
INTERNAL COOLING UNIT LOCATED AT THE TOP		✓
STATIC COOLING		✓
DYNAMIC COOLING		✓
FULL HINGED DOORS		
HINGED DOORS WITH INSULATED GLASS		
SLIDING DOORS WITH INSULATED GLASS		✓
REAR WALL WITH INSULATED GLASS		✓
FAN STOP SWITCH WHEN DOORS ARE OPEN		✓
ENERGY-EFFICIENT COOLING UNIT		✓
BOTTOM AND BACK OF THE CABINET MADE OF ALUMINIUM		✓
INTERIOR OF THE CABINET MADE OF ACID-RESISTANT STAINLESS STEEL		✓
EXTERIOR BODY MADE OF POWDER-COATED GALVANIZED STEEL IN WHITE		✓
ECOLOGICAL POLYURETHANE FOAM INSULATION		✓
METAL, COATED, ADJUSTABLE WIRE SHELVES		✓
ELECTRONIC TEMPERATURE CONTROLLER WITH DIGITAL DISPLAY		✓
AUTOMATIC EVAPORATION OF CONDENSATE		
AUTOMATIC DEFROSTING		✓
ADJUSTABLE FEET FOR LEVELING		✓
ENERGY-EFFICIENT LED LIGHTING		✓

OPTIONAL EQUIPMENT	REMARKS	UM	PRICE [EUR]
PRICE TAG STRIPS - 5 PIECES		SET	24
PRICE TAG STRIPS - 10 PIECES		SET	48
DYNAMIC COOLING - SINGLE DOOR CABINET	APPLIES TO 500, 600, 700	PC	61
DYNAMIC COOLING - DOUBLE DOOR CABINET	APPLIES TO 1200, 1400, 1600	PC	92
ADDITIONAL STAINLESS STEEL SHELF WITH BRACKETS		PC	57
ADDITIONAL SHELF WITH BRACKETS		PC	21
ADDITIONAL REINFORCED SHELF WITH BRACKETS		PC	35
GASTRO FEET		SET	57
ILLUMINATED TOP PANEL - SINGLE CABINET	APPLIES TO 500, 600, 700	SET	43
ILLUMINATED TOP PANEL - DOUBLE CABINET	APPLIES TO 1200, 1400	SET	61
INTERIOR - ACID-RESISTANT STAINLESS STEEL OH18 - SINGLE CABINET	APPLIES TO 500, 600, 700	SET	238
INTERIOR - ACID-RESISTANT STAINLESS STEEL OH18 - DOUBLE CABINET	APPLIES TO 1200, 1400	SET	466
EXTERIOR - ACID-RESISTANT STAINLESS STEEL OH18 - SINGLE CABINET	APPLIES TO 500, 600, 700	SET	316
EXTERIOR - ACID-RESISTANT STAINLESS STEEL OH18 - DOUBLE CABINET	APPLIES TO 1200, 1400	SET	518
BOTTOM MADE OF ACID-RESISTANT STAINLESS STEEL OH18 - SINGLE DOOR DISPLAY	APPLIES TO 500, 600, 700	SET	91
BOTTOM MADE OF ACID-RESISTANT STAINLESS STEEL OH18 - DOUBLE DOOR DISPLAY	APPLIES TO 1200, 1400	SET	122
TEMPERATURE RECORDER (USB)		PC	193
DOOR LOCK - SINGLE DOOR	APPLIES TO 500, 600, 700	SET	21
DOOR LOCK - DOUBLE DOOR	APPLIES TO 1200, 1400, 1600	SET	42
FIXED VERTICAL DIVIDER II K - DOUBLE CABINET ONLY	ONLY WITH STATIC COOLING	PC	85
FIXED VERTICAL DIVIDER II K - INOX - DOUBLE CABINET ONLY	ONLY WITH STATIC COOLING	PC	190
EXTERNAL BODY POWDER COATING - DIFFERENT RAL - SINGLE DOOR DISPLAY		SET	29
EXTERNAL BODY POWDER COATING - DIFFERENT RAL - DOUBLE DOOR DISPLAY		SET	58
SET OF WHEELS /CASTERS/		SET	108
WOODEN PALLET	CALCULATED TO LENGTH (NO DISCOUNT)	LM	23
WOODEN CRATE	CALCULATED TO LENGTH (NO DISCOUNT)	LM	61



UPPER MOUNTING OF THE COOLING UNIT

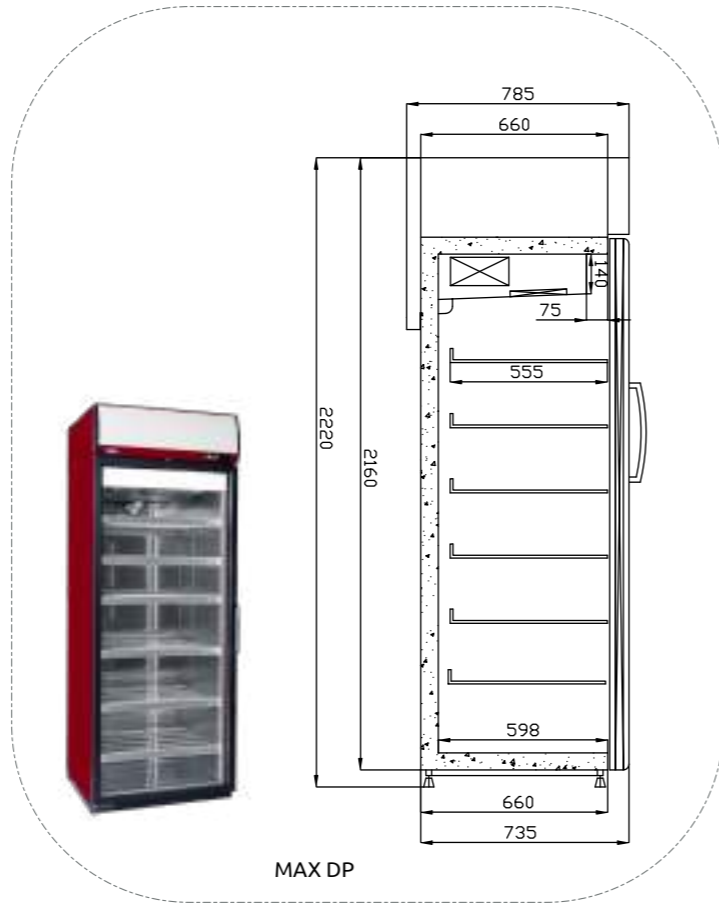
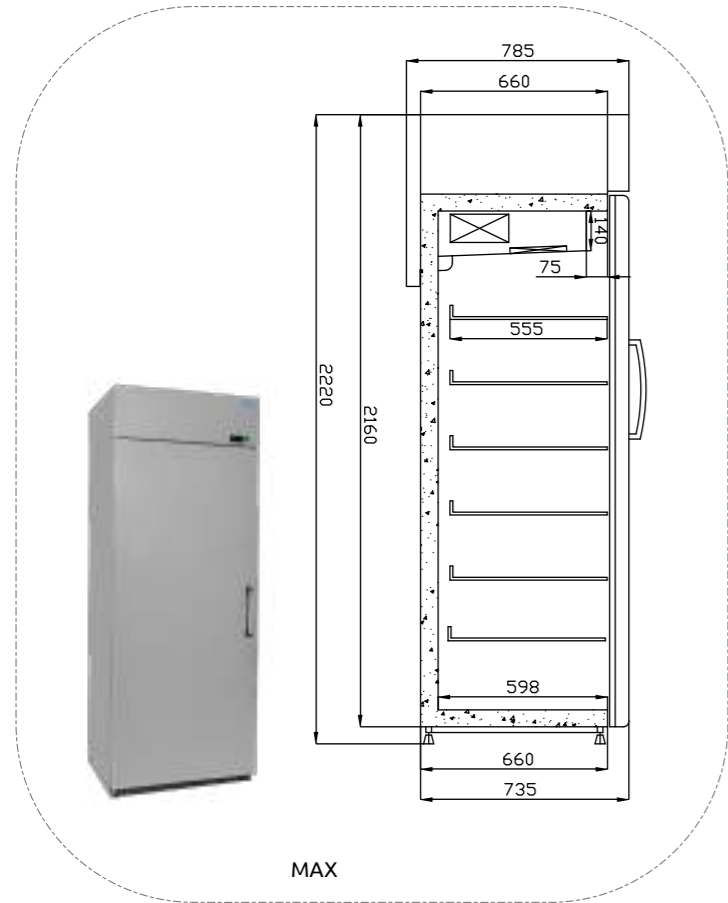


REFRIGERANT: R290 - PLUG-IN;



BASE VARIANT OF DEVICE

PLUG-IN (-1°C ÷ +8°C)			
MODULE	ID FOR ORDERING	LENGTH [mm]	NET PRICE [EUR]
S-700	MAX	830	1 831
PLUG-IN (+2°C ÷ +8°C)			
MODULE	ID FOR ORDERING	LENGTH [mm]	NET PRICE [EUR]
SW-700	MAX DP	830	1 960



STANDARD EQUIPMENT FOR BASE VARIANT	MAX	MAX DP
INTERNAL COOLING UNIT LOCATED AT THE BOTTOM	-	-
INTERNAL COOLING UNIT LOCATED AT THE TOP	✓	✓
STATIC COOLING	✓	✓
FULL HINGED DOORS	✓	-
HINGED DOORS WITH INSULATED GLASS	-	✓
SLIDING DOORS WITH INSULATED GLASS	-	-
WYŁĄCZNIK ZATRZYMUJĄCY PRACĘ WENTYLATORA PRZY OTWARTYCH DRZWIACH	✓	✓
ENERGOOSZCZĘDNY AGREGAT CHŁODNICZY	✓	✓
BOTTOM AND BACK OF THE CABINET MADE OF ALUMINUM	✓	-
BOTTOM AND BACK OF THE CABINET MADE OF STAINLESS STEEL	-	✓
EXTERIOR BODY MADE OF POWDER-COATED GALVANIZED STEEL IN WHITE	✓	✓
ECOLOGICAL POLYURETHANE FOAM INSULATION	✓	✓
METAL, COATED, ADJUSTABLE WIRE SHELVES	✓	✓
ELECTRONIC TEMPERATURE CONTROLLER WITH DIGITAL DISPLAY	✓	✓
AUTOMATIC EVAPORATION OF CONDENSATE	✓	✓
AUTOMATIC DEFROSTING	✓	✓
ADJUSTABLE FEET FOR LEVELING	✓	✓
ENERGY-EFFICIENT LED LIGHTING	-	✓

OPTIONAL EQUIPMENT	REMARKS	UM	PRICE [EUR]
PRICE TAG STRIPS - 5 PIECES		SET	24
PRICE TAG STRIPS - 10 PIECES		SET	48
DYNAMIC COOLING - SINGLE DOOR CABINET	APPLIES TO 500, 600, 700	PC	61
DYNAMIC COOLING - DOUBLE DOOR CABINET	APPLIES TO 1200, 1400, 1600	PC	92
ADDITIONAL STAINLESS STEEL SHELF WITH BRACKETS		PC	57
ADDITIONAL SHELF WITH BRACKETS		PC	21
ADDITIONAL REINFORCED SHELF WITH BRACKETS		PC	35
GASTRO FEET		SET	57
ILLUMINATED TOP PANEL - SINGLE CABINET	APPLIES TO 500, 600, 700	SET	43
ILLUMINATED TOP PANEL - DOUBLE CABINET	APPLIES TO 1200, 1400	SET	61
INTERIOR - ACID-RESISTANT STAINLESS STEEL OH18 - SINGLE CABINET	APPLIES TO 500, 600, 700	SET	238
INTERIOR - ACID-RESISTANT STAINLESS STEEL OH18 - DOUBLE CABINET	APPLIES TO 1200, 1400	SET	466
EXTERIOR - ACID-RESISTANT STAINLESS STEEL OH18 - SINGLE CABINET	APPLIES TO 500, 600, 700	SET	316
EXTERIOR - ACID-RESISTANT STAINLESS STEEL OH18 - DOUBLE CABINET	APPLIES TO 1200, 1400	SET	518
BOTTOM MADE OF ACID-RESISTANT STAINLESS STEEL OH18 - SINGLE DOOR DISPLAY	APPLIES TO 500, 600, 700	SET	91
BOTTOM MADE OF ACID-RESISTANT STAINLESS STEEL OH18 - DOUBLE DOOR DISPLAY	APPLIES TO 1200, 1400	SET	122
TEMPERATURE RECORDER (USB)		PC	193
DOOR LOCK - SINGLE DOOR	APPLIES TO 500, 600, 700	SET	21
DOOR LOCK - DOUBLE DOOR	APPLIES TO 1200, 1400, 1600	SET	42
FIXED VERTICAL DIVIDER II K - DOUBLE CABINET ONLY	ONLY WITH STATIC COOLING	PC	85
FIXED VERTICAL DIVIDER II K - INOX - DOUBLE CABINET ONLY	ONLY WITH STATIC COOLING	PC	190
EXTERNAL BODY POWDER COATING - DIFFERENT RAL - SINGLE DOOR DISPLAY		SET	29
EXTERNAL BODY POWDER COATING - DIFFERENT RAL - DOUBLE DOOR DISPLAY		SET	58
SET OF WHEELS /CASTERS/		SET	108
WOODEN PALLET	CALCULATED TO LENGTH (NO DISCOUNT)	LM	23
WOODEN CRATE	CALCULATED TO LENGTH (NO DISCOUNT)	LM	61



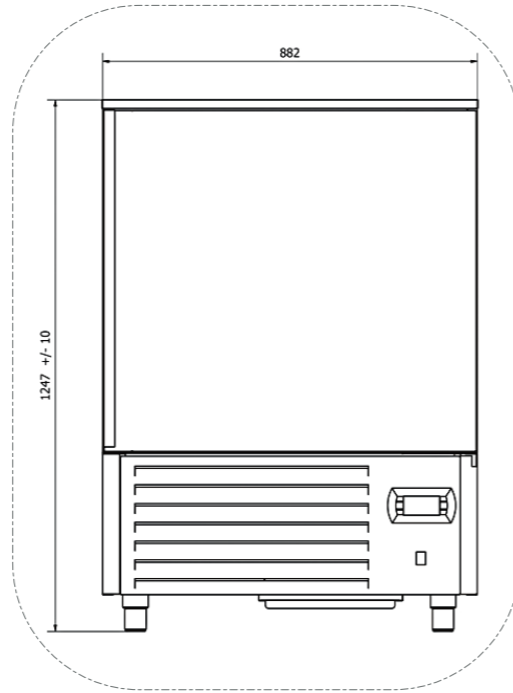
BLAST FREEZER (PLUG-IN)

OPERATING MODES:
SOFT CHILLING MODE +3°C ;
HARD FREEZING MODE

SZ-GN

EXW BOCHNIA / EUR / VALID FROM: 01/02/24

CONTENTS



BASE VARIANT OF DEVICE

PLUG-IN			
MODULE	ID FOR ORDERING	LENGTH [mm]	NET PRICE [EUR]
SZ-6	SZ-6GN	882	3 564
SZ-12	SZ-12GN	882	5 912

STANDARD EQUIPMENT OF BASE VARIANT	PLUG-IN
INTERNAL COOLING UNIT LOCATED AT THE BOTTOM	✓
DYNAMIC COOLING	✓
FULL HINGED DOOR	✓
UV BACTERICIDAL FLUORESCENT LAMP	✓
FRAME FOR GN CONTAINERS	✓
GN 1/1 CONTAINERS (SZ6GN - 3 PCS; SZ12GN - 6 PCS)	✓
INTERIOR MADE OF ACID-RESISTANT STAINLESS STEEL	✓
EXTERIOR BODY MADE OF ACID-RESISTANT STAINLESS STEEL	✓
ECOLOGICAL POLYURETHANE FOAM INSULATION	✓
ELECTRONIC TEMPERATURE CONTROLLER WITH DIGITAL DISPLAY	✓
AUTOMATIC EVAPORATION OF CONDENSATE	✓
AUTOMATIC DEFROSTING	✓
GASTRO ADJUSTABLE FEET FOR LEVELING THE DEVICE	✓

OPTIONAL EQUIPMENT	REMARKS	UM	PRICE [EUR]
ADDITIONAL GN 1/1 CONTAINER		PC	34
TEMPERATURE RECORDER (USB)		PC	193
SET OF WHEELS /CASTERS/		SET	108
WOODEN PALLET	CALCULATED TO LENGTH (NO DISCOUNT)	LM	23
WOODEN CRATE	CALCULATED TO LENGTH (NO DISCOUNT)	LM	61



REFRIGERANT:
R290 - PLUG-IN;



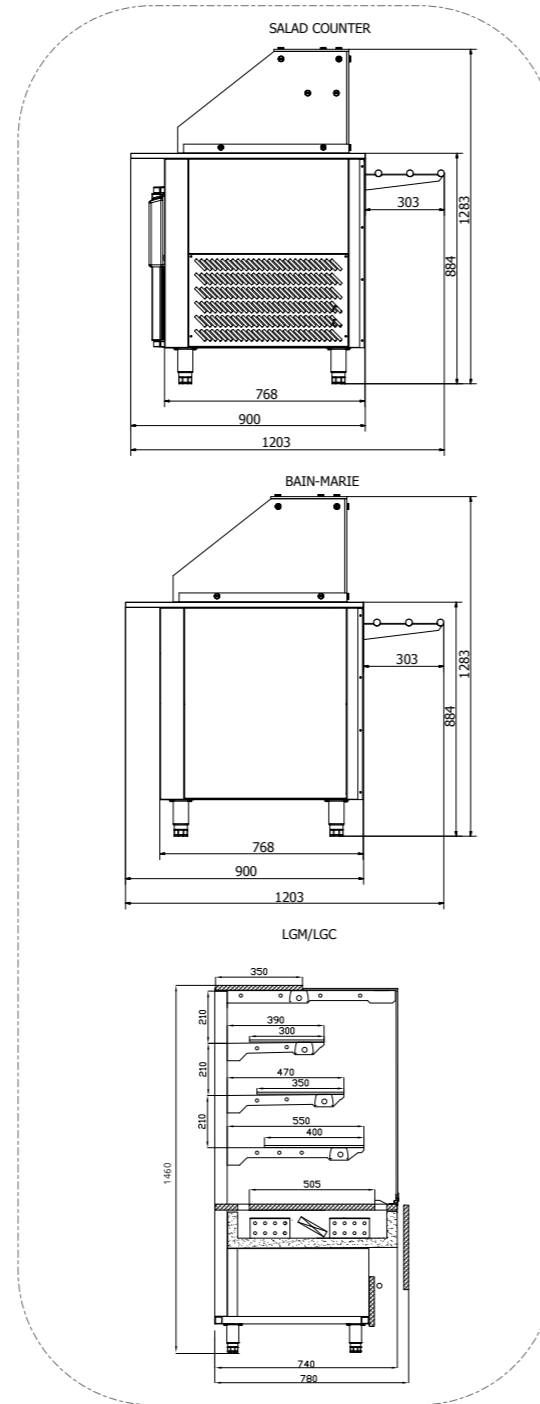
LINEAGASTRO





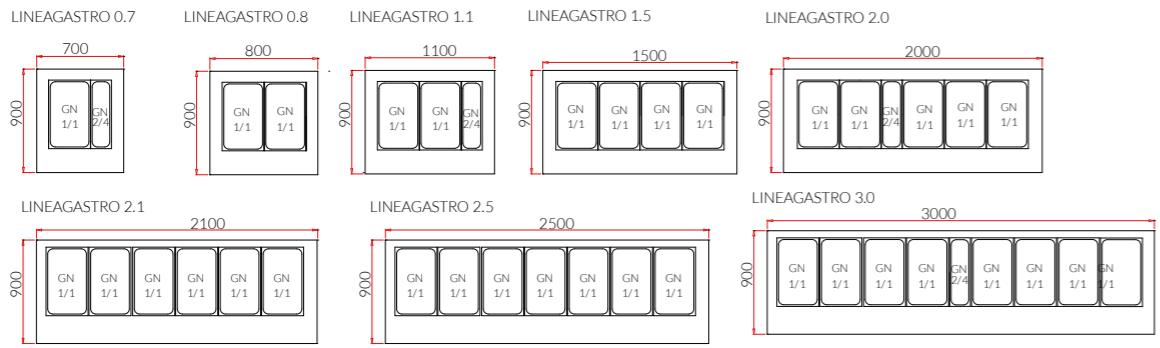
BASE VARIANT OF DEVICE

LineaGastro - SALAD COUNTER +2°C + +8°C			
MODULE	ID FOR ORDERING	LENGTH [mm]	NET PRICE [EUR]
LADA SAŁATKOWA 1.1m	G210-11G	1100	2 484
LADA SAŁATKOWA 1.5m	G210-15G	1500	2 660
LADA SAŁATKOWA 2.0m	G210-20G	2000	3 246
LADA SAŁATKOWA 2.5m	G210-25G	2500	3 506
LADA SAŁATKOWA 3.0m	G210-30G	3000	5 173
LineaGastro - BAIN-MARIE +30°C + +90°C			
MODULE	ID FOR ORDERING	LENGTH [mm]	NET PRICE [EUR]
BEMAR 0.7m	G271-07G	700	1 483
BEMAR 0.8m	G271-08G	800	1 596
BEMAR 1.1m	G271-11G	1100	1 979
BEMAR 1.5m	G271-15G	1500	2 199
BEMAR 2.0m	G271-20G	2000	2 755
BEMAR 2.1m	G271-21G	2100	2 990
LineaGastro - CASH DESK			
MODULE	ID FOR ORDERING	LENGTH [mm]	NET PRICE [EUR]
LADA KASOWA 0.4m	G285-04G	400	794
LADA KASOWA 0.5m	G285-05G	500	809
LADA KASOWA 0.6m	G285-06G	600	831
LADA KASOWA 0.7m	G285-07G	700	852
LADA KASOWA 0.8m	G285-08G	800	871
LADA KASOWA 0.9m	G285-09G	900	934
LADA KASOWA 1.0m	G285-10G	1000	989
LADA KASOWA 1.1m	G285-11G	1100	1 043
LADA KASOWA 1.4m	G285-14G	1400	1 589
LADA KASOWA 1.5m	G285-15G	1500	1 734
LineaGastro - PASTRY DISPLAY +5°C + +15°C			
MODULE	ID FOR ORDERING	LENGTH [mm]	NET PRICE [EUR]
C-09	LGC	940	3 032
C-13	LGC	1340	3 353
C-17	LGC	1740	3 623
LineaGastro - MEAT DISPLAY CASE +2°C + +6°C			
MODULE	ID FOR ORDERING	LENGTH [mm]	NET PRICE [EUR]
C-09	LGM	940	3 339
C-13	LGM	1340	3 741
C-17	LGM	1740	4 087



STANDARD EQUIPMENT FOR BASE VARIANT	SALAD COUNTER	BAIN-MARIE
ENERGY-EFFICIENT REFRIGERATION UNIT	✓	✓
HIGH-QUALITY HEATERS	✓	✓
GRANITE COUNTERTOP	✓	✓
DYNAMIC COOLING	✓	✓
WATER-FILLED BAIN-MARIE TUB MADE OF ACID-RESISTANT STAINLESS STEEL AISI 304	✓	✓
WATER REFILL VALVE	✓	✓
ILLUMINATED FRONT PANEL - LED	✓	✓
POWDER COATED FRONT: RAL 3003	✓	✓
INTERCHANGEABLE FRONT	✓	✓
GASTRO FEET	✓	✓
AIRFLOW ABOVE GN CONTAINERS	✓	✓
NIGHT COVERS	✓	✓
FULL HINGED DOOR	✓	✓
AUTOMATIC CONDENSATE EVAPORATION	✓	✓
ECOLOGICAL POLYURETHANE FOAM INSULATION	✓	✓
EXTERNAL BODY MADE OF POWDER COATED SHEET: RAL 9005	✓	✓
STORAGE CHAMBER MADE OF STAINLESS STEEL AISI 304	✓	✓
FRAME FOR GN CONTAINERS	✓	✓
GLASS TOPPER WITH STRAIGHT GLASS AND LIGHTING	✓	✓
ADDITIONAL GLASS DISPLAY SHELF	✓	✓
ALL GLASS TEMPERED	✓	✓
STAINLESS STEEL ACID-RESISTANT AISI 304 SHELF IN THE BACK OF THE BODY	✓	✓

OPTIONAL EQUIPMENT	REMARKS	UM	PRICE [EUR]
BODY PAINTING IN RAL COLOR		LM	30
FRONT PAINTING IN RAL COLOR		LM	37
EXTERNAL BODY MADE OF ACID-RESISTANT AISI 304 STAINLESS STEEL	BODY AND SIDES MADE OF AISI 304 STAINLESS STEEL	LM	239
FRONT MADE OF ACID-RESISTANT AISI 304 STAINLESS STEEL		LM	87
FRONT MADE OF WOOD-LIKE BOARD		LM	75
FRONT WITHOUT ILLUMINATION	FULL FRONT	LM	0
DEVICE WITHOUT A FRONT		LM	-9
SIDES MADE OF ACID-RESISTANT AISI 304 STAINLESS STEEL	AISI 304 SIDE OVERLAYS	SET	203
SIDES MADE OF WOOD-LIKE BOARD		SET	149
FRONT SHELF FOR CUSTOMER	RAILING MADE OF STAINLESS STEEL PROFILES	LM	101
GLASS TOPPER WITH LIGHTING	APPLIES TO CASH DESK	LM	351
WITHOUT GLASS SHELF IN THE OVERHEAD		LM	-3
GN 1/1 CONTAINER DEPTH 100MM		PC	35
GN 2/4 CONTAINER DEPTH 100MM		PC	31
GN 1/1 CONTAINER DEPTH 150MM	GN WITH HANDLES, APPLICABLE TO BAIN-MARIE	PC	47
GN 2/4 CONTAINER DEPTH 150MM	GN WITH HANDLES, APPLICABLE TO BAIN-MARIE	PC	39
GRANITE COUNTERTOP /BIANCO - GREY/ - 30MM		LM	45
GRANITE COUNTERTOP /BIANCO - GREY/ - 20MM *100CM		LM	40
GRANITE COUNTERTOP /BIANCO - GREY/ - 30MM *100CM		LM	51
GRANITE COUNTERTOP /ROSA PORRINO - RED/ - 20MM		LM	0
GRANITE COUNTERTOP /ROSA PORRINO - RED/ - 30MM		LM	86
GRANITE COUNTERTOP /ROSA PORRINO - RED/ - 20MM *100CM		LM	40
GRANITE COUNTERTOP /ROSA PORRINO - RED/ - 30MM *100CM		LM	98
GRANITE COUNTERTOP /BALMORAL/ - 20MM /		LM	178
GRANITE COUNTERTOP /BALMORAL/ - 30MM /		LM	238
GRANITE COUNTERTOP /BALMORAL/ - 20MM *100CM /		LM	201
GRANITE COUNTERTOP /BALMORAL/ - 30MM *100CM /		LM	272
GRANITE COUNTERTOP /BLACK/ - 20MM /		LM	451
GRANITE COUNTERTOP /BLACK/ - 30MM /		LM	557
GRANITE COUNTERTOP /BLACK/ - 20MM *100CM /		LM	512
GRANITE COUNTERTOP /BLACK/ - 30MM *100CM /		LM	632
SET OF WHEELS /CASTERS/		SET	110
WOODEN PALETT	CALCULATED TO LENGTH (NO DISCOUNT)	LM	16
WOODEN CRATE	CALCULATED TO LENGTH (NO DISCOUNT)	LM	41

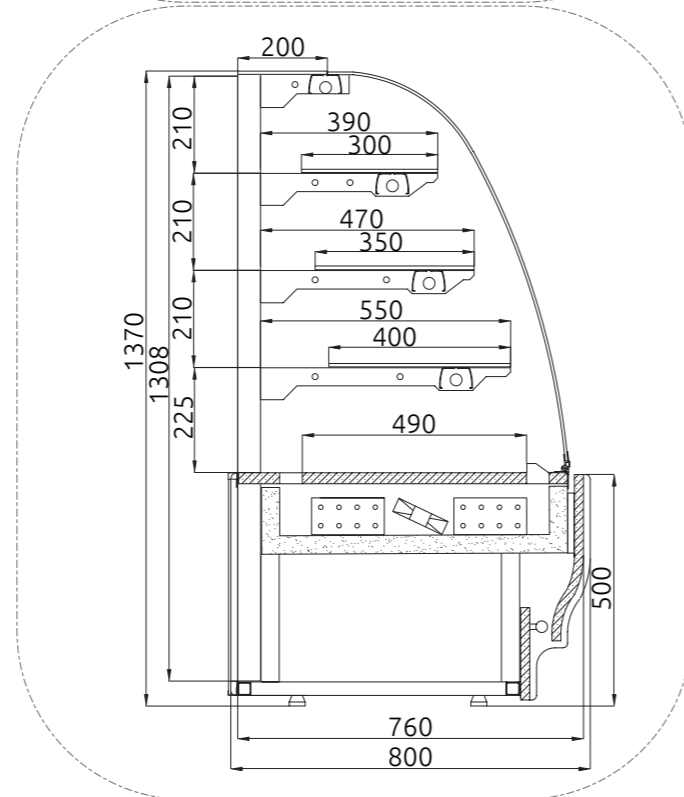
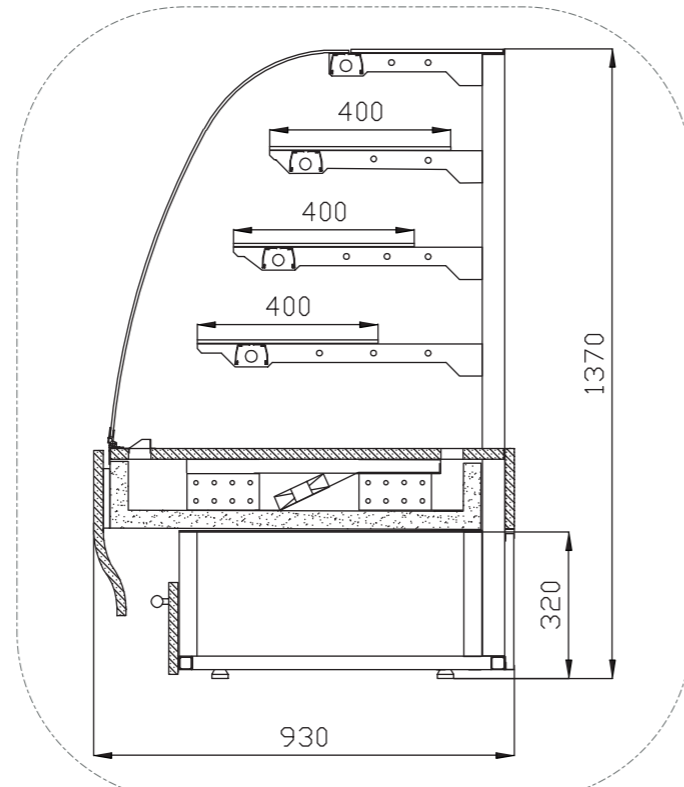


- OH18** UNDERSTORAGE MADE OF ACID-RESISTANT SHEET METAL
- MODULAR SYSTEM - SIMPLE ASSEMBLY OF LINES**
- REFRIGERANT: R290 - PLUG-IN**



PASTRY DISPLAYS





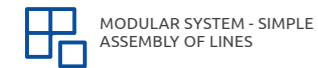
STANDARD EQUIPMENT OF BASE VARIANT	PLUG-IN	REMOTE	NEUTRAL
ENERGY-EFFICIENT INTERNAL REFRIGERATION UNIT	✓	-	-
REFRIGERATION POWER SUPPLIED EXCLUSIVELY BY AN EXTERNAL UNIT	-	✓	-
LACK OF REFRIGERATION SYSTEM AND INSTALLATION CAPABILITY	-	-	✓
TILTABLE FRONT GLASS FOR OPENING	✓	✓	✓
DYNAMIC COOLING	✓	✓	✓
AUTOMATIC DEFROSTING	✓	✓	-
AUTOMATIC CONDENSATION EVAPORATION	✓	✓	-
ENERGY-EFFICIENT LED LIGHTING	✓	✓	✓
WARM AIR CURTAIN ON FRONT GLASS	✓	✓	-
GLASS DISPLAY SHELVES ON A FRAME WITH ADJUSTABLE HEIGHT	✓	✓	✓
POWDER COATED FRAME - RAL 7047 OR GOLD	✓	✓	✓
LOWER GLASS SHELF	✓	✓	✓
WOODEN CASING	✓	✓	✓
ELECTRONIC TEMPERATURE CONTROLLER WITH DIGITAL DISPLAY	✓	✓	-
ADJUSTABLE FEET FOR LEVELING THE DEVICE	✓	✓	-
COOLING POWER REQUIREMENT: T 0= -15°C (W/MB) AT AMBIENT TEMPERATURE OF +25°C AND RELATIVE HUMIDITY 60%	-	500 W	-

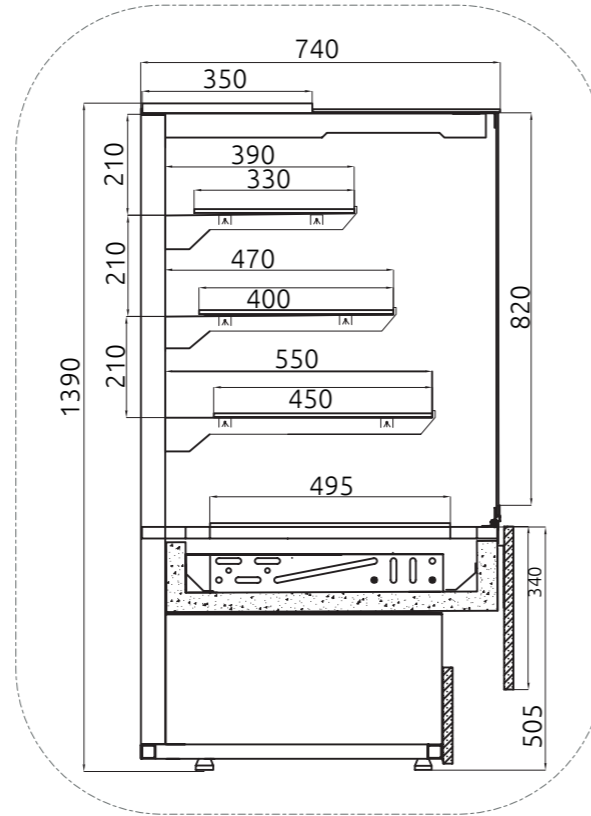
BASE VARIANT OF DEVICE			
PLUG-IN			
MODULE	ID FOR ORDERING	LENGTH [mm]	NET PRICE [EUR]
C-09	GN	940	2 717
C-13	GN	1340	2 974
C-17	GN	1740	3 199
REMOTE			
C-09	GN B/A	940	2 478
C-13	GN B/A	1340	2 725
C-17	GN B/A	1740	2 945
NEUTRAL			
C-09	GN NT	940	1 718
C-13	GN NT	1340	1 817
C-17	GN NT	1740	2 295
NEUTRAL FOR CANDY			
C-09	GN NC	940	1 963
C-13	GN NC	1340	2 322
C-17	GN NC	1740	3 187
CASH DESK			
LPK C-GN		1000	654

OPTIONAL EQUIPMENT	REMARKS	UM	PRICE [EUR]
DEVICE FOR MODULAR CONNECTION		PC	0
LACQUERED MDF HOUSING		LM	148
METAL FRONT PAINTED IN RAL COLOR		LM	93
ADDITIONAL GLASS SHELF WITH BRACKETS		PC	19
LOWER SHELF MADE OF ACID-RESISTANT STEEL		LM	68
ELECTRONIC TEMPERATURE RECORDER (USB)		PC	195
SHOPPING CART BUMPER		LM	61
WITHOUT HOUSING		LM	-34
HUMIDITY CONTROL SYSTEM		PC	123
GASTRO FEET		SET	57
FRAME PAINTING IN A DIFFERENT RAL COLOR		LM	39
SET OF WHEELS /CASTERS/		SET	108
WOODEN PALETT	CALCULATED TO LENGTH (NO DISCOUNT)	LM	23
WOODEN CRATE	CALCULATED TO LENGTH (NO DISCOUNT)	LM	61

DEVICE CONFIGURATION OPTIONS:

	NET PRICE [EUR]	UM	ID FOR ORDERING
DEPTH 800mm	AT NO COST	LM	GN-w





STANDARD EQUIPMENT OF BASE VARIANT	PLUG-IN	REMOTE	NEUTRAL
ENERGY-EFFICIENT INTERNAL REFRIGERATION UNIT	✓	-	-
REFRIGERATION POWER SUPPLIED EXCLUSIVELY BY AN EXTERNAL UNIT	-	✓	-
LACK OF REFRIGERATION SYSTEM AND INSTALLATION CAPABILITY	-	-	✓
TILTABLE FRONT GLASS FOR OPENING	✓	✓	✓
DYNAMIC COOLING	✓	✓	-
AUTOMATIC DEFROSTING	✓	✓	-
AUTOMATIC CONDENSATION EVAPORATION	✓	✓	-
ENERGY-EFFICIENT LED LIGHTING	✓	✓	✓
WARM AIR CURTAIN ON FRONT GLASS	✓	✓	-
GLASS DISPLAY SHELVES ON A FRAME WITH ADJUSTABLE HEIGHT	✓	✓	✓
POWDER COATED FRAME - RAL 7047 OR GOLD	✓	✓	✓
LOWER GLASS SHELF	✓	✓	✓
WOODEN CASING	✓	✓	✓
ELECTRONIC TEMPERATURE CONTROLLER WITH DIGITAL DISPLAY	✓	✓	-
ADJUSTABLE FEET FOR LEVELING THE DEVICE	✓	✓	-
COOLING POWER REQUIREMENT: T 0= -15°C (W/MB) AT AMBIENT TEMPERATURE OF +25°C AND RELATIVE HUMIDITY 60%	-	500 W	-

BASE VARIANT OF DEVICE

PLUG-IN			
MODULE	ID FOR ORDERING	LENGTH [mm]	NET PRICE [EUR]
C-06	PN-w	640	2 652
C-09	PN-w	940	2 830
C-13	PN-w	1340	3 094
C-17	PN-w	1740	3 310
REMOTE			
C-06	PN-w B/A	640	2 473
C-09	PN-w B/A	940	2 592
C-13	PN-w B/A	1340	2 844
C-17	PN-w B/A	1740	3 056
NEUTRAL			
C-06	PN-w NT	640	1 748
C-09	PN-w NT	940	1 927
C-13	PN-w NT	1340	2 010
C-17	PN-w NT	1740	2 434
NEUTRAL CANDY DISPLAY			
C-06	PN-w NC	640	1 993
C-09	PN-w NC	940	2 172
C-13	PN-w NC	1340	2 516
C-17	PN-w NC	1740	3 326
CASH DESK			
LPK C-PN-w		1000	654
LPK C-PN-w NW/NZ		1000	725

OPTIONAL EQUIPMENT

	REMARKS	UM	PRICE [EUR]
DEVICE FOR MODULAR CONNECTION		PC	0
LACQUERED MDF HOUSING		LM	148
METAL FRONT PAINTED IN RAL COLOR		LM	93
ADDITIONAL GLASS SHELF WITH BRACKETS		PC	19
LOWER SHELF MADE OF ACID-RESISTANT STEEL		LM	68
ELECTRONIC TEMPERATURE RECORDER (USB)		PC	195
SHOPPING CART BUMPER		LM	61
WITHOUT HOUSING		LM	-34
HUMIDITY CONTROL SYSTEM		PC	123
GASTRO FEET		SET	57
FRAME PAINTING IN A DIFFERENT RAL COLOR		LM	39
SET OF WHEELS /CASTERS/		SET	108
WOODEN PALETT	CALCULATED TO LENGTH (NO DISCOUNT)	LM	23
WOODEN CRATE	CALCULATED TO LENGTH (NO DISCOUNT)	LM	61

LAGUNA (PLUG-IN/REMOTE)

+2°C ÷ +6°C

LAGUNA

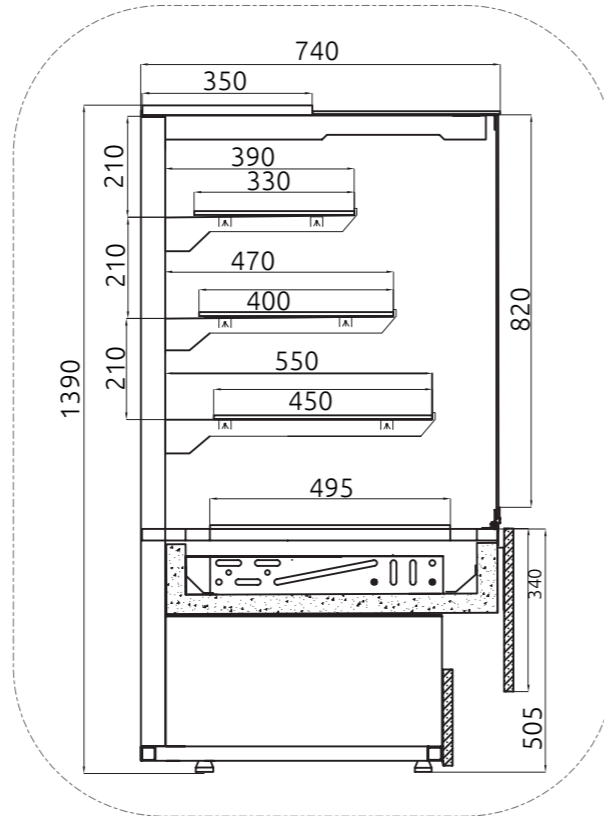
EXW BOCHNIA / EUR / VALID FROM: 01/02/24

CONTENTS



WARIANT WYKONANIA URZĄDZENIA

PLUG-IN			
MODULE	ID FOR ORDERING	LENGTH [mm]	NET PRICE [EUR]
C-09	LAGUNA	940	3 353
C-13	LAGUNA	1340	3 655
REMOTE			
C-09	LAGUNA B/A	940	3 103
C-13	LAGUNA B/A	1340	3 401
LADA KASOWA			
LPK C-PN-w		1000	654
LPK C-PN-w NW/NZ		1000	725



STANDARD EQUIPMENT OF BASE VARIANT	PLUG-IN	REMOTE
ENERGY-EFFICIENT INTERNAL REFRIGERATION UNIT	✓	-
REFRIGERATION POWER SUPPLIED EXCLUSIVELY BY AN EXTERNAL UNIT	-	✓
LACK OF REFRIGERATION SYSTEM AND INSTALLATION CAPABILITY	-	-
TILTABLE FRONT GLASS FOR OPENING - INSULATED GLASS	✓	✓
DYNAMIC COOLING	✓	✓
AUTOMATIC DEFROSTING	✓	✓
AUTOMATIC CONDENSATION EVAPORATION	✓	✓
ENERGY-EFFICIENT LED LIGHTING	✓	✓
WARM AIR CURTAIN ON FRONT GLASS	✓	✓
GLASS DISPLAY SHELVES ON A FRAME WITH ADJUSTABLE HEIGHT	✓	✓
POWDER COATED FRAME - RAL 7047 OR GOLD	✓	✓
LOWER GLASS SHELF	✓	✓
WOODEN CASING	✓	✓
ELECTRONIC TEMPERATURE CONTROLLER WITH DIGITAL DISPLAY	✓	✓
ADJUSTABLE FEET FOR LEVELING THE DEVICE	✓	✓
COOLING POWER REQUIREMENT: T ₀ = -15°C (W/MB) AT AMBIENT TEMPERATURE OF +25°C AND RELATIVE HUMIDITY 60%	-	500 W

OPTIONAL EQUIPMENT	REMARKS	UM	PRICE [EUR]
DEVICE FOR MODULAR CONNECTION		PC	0
LACQUERED MDF HOUSING		LM	148
METAL FRONT PAINTED IN RAL COLOR		LM	93
ADDITIONAL GLASS SHELF WITH BRACKETS		PC	19
LOWER SHELF MADE OF ACID-RESISTANT STEEL		LM	68
ELECTRONIC TEMPERATURE RECORDER (USB)		PC	195
SHOPPING CART BUMPER		LM	61
WITHOUT HOUSING		LM	-34
HUMIDITY CONTROL SYSTEM		PC	123
GASTRO FEET		SET	57
FRAME PAINTING IN A DIFFERENT RAL COLOR		LM	39
SET OF WHEELS /CASTERS/		SET	108
WOODEN PALETT	CALCULATED TO LENGTH (NO DISCOUNT)	LM	23
WOODEN CRATE	CALCULATED TO LENGTH (NO DISCOUNT)	LM	61



MODULAR SYSTEM - SIMPLE ASSEMBLY OF LINES



REFRIGERANT: R290 - PLUG-IN

VISION (PLUG-IN/REMOTE)

+5°C ÷ +15°C

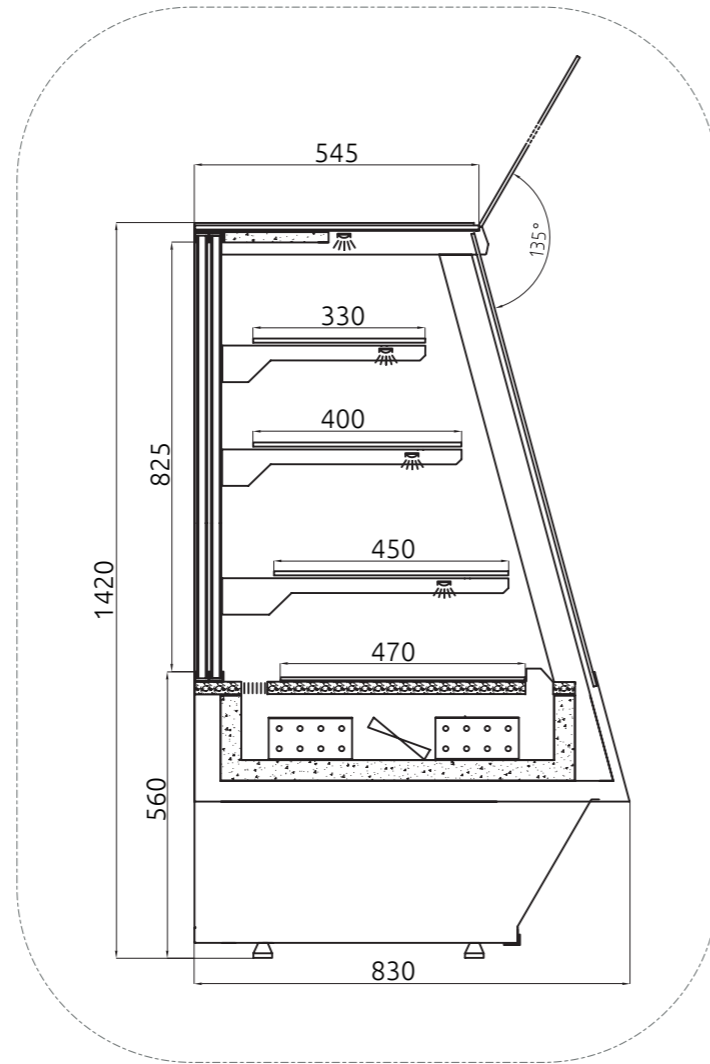
VISION

EXW BOCHNIA / EUR / VALID FROM: 01/02/24

CONTENTS



BASE VARIANT OF DEVICE			
PLUG-IN			
MODULE	ID FOR ORDERING	LENGTH [mm]	NET PRICE [EUR]
C-09	SP	940	3 353
C-13	SP	1340	3 655
REMOTE			
C-09	SP B/A	940	3 103
C-13	SP B/A	1340	3 401
CASH DESK			
LPK C-SP		1000	654
LPK C-SP NW/NZ		1000	725

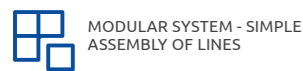


STANDARD EQUIPMENT OF BASE VARIANT	PLUG-IN	REMOTE
ENERGY-EFFICIENT INTERNAL REFRIGERATION UNIT	✓	-
REFRIGERATION POWER SUPPLIED EXCLUSIVELY BY AN EXTERNAL UNIT	-	✓
LACK OF REFRIGERATION SYSTEM AND INSTALLATION CAPABILITY	-	-
LIFT-UP STRAIGHT FRONT GLASS	✓	✓
DYNAMIC COOLING	✓	✓
AUTOMATIC DEFROSTING	✓	✓
AUTOMATIC CONDENSATION EVAPORATION	✓	✓
ENERGY-EFFICIENT LED LIGHTING	✓	✓
WARM AIR CURTAIN ON FRONT GLASS	✓	✓
GLASS DISPLAY SHELVES ON A FRAME WITH ADJUSTABLE HEIGHT	✓	✓
POWDER COATED FRAME - RAL 7047 OR GOLD	✓	✓
LOWER GLASS SHELF	✓	✓
WOODEN CASING	✓	✓
ELECTRONIC TEMPERATURE CONTROLLER WITH DIGITAL DISPLAY	✓	✓
ADJUSTABLE FEET FOR LEVELING THE DEVICE	✓	✓
COOLING POWER REQUIREMENT: T 0= -15°C [W/MB] AT AMBIENT TEMPERATURE OF +25°C AND RELATIVE HUMIDITY 60%	-	500 W

OPTIONAL EQUIPMENT	REMARKS	UM	PRICE [EUR]
DEVICE FOR MODULAR CONNECTION		PC	0
LACQUERED MDF HOUSING		LM	148
METAL FRONT PAINTED IN RAL COLOR		LM	93
ADDITIONAL GLASS SHELF WITH BRACKETS		PC	19
LOWER SHELF MADE OF ACID-RESISTANT STEEL		LM	68
ELECTRONIC TEMPERATURE RECORDER (USB)		PC	195
SHOPPING CART BUMPER		LM	61
WITHOUT HOUSING		LM	-34
HUMIDITY CONTROL SYSTEM		PC	123
GASTRO FEET		SET	57
FRAME PAINTING IN A DIFFERENT RAL COLOR		LM	39
SET OF WHEELS /CASTERS/		SET	108
WOODEN PALETT	CALCULATED TO LENGTH (NO DISCOUNT)	LM	23
WOODEN CRATE	CALCULATED TO LENGTH (NO DISCOUNT)	LM	61

DEVICE CONFIGURATION OPTIONS:

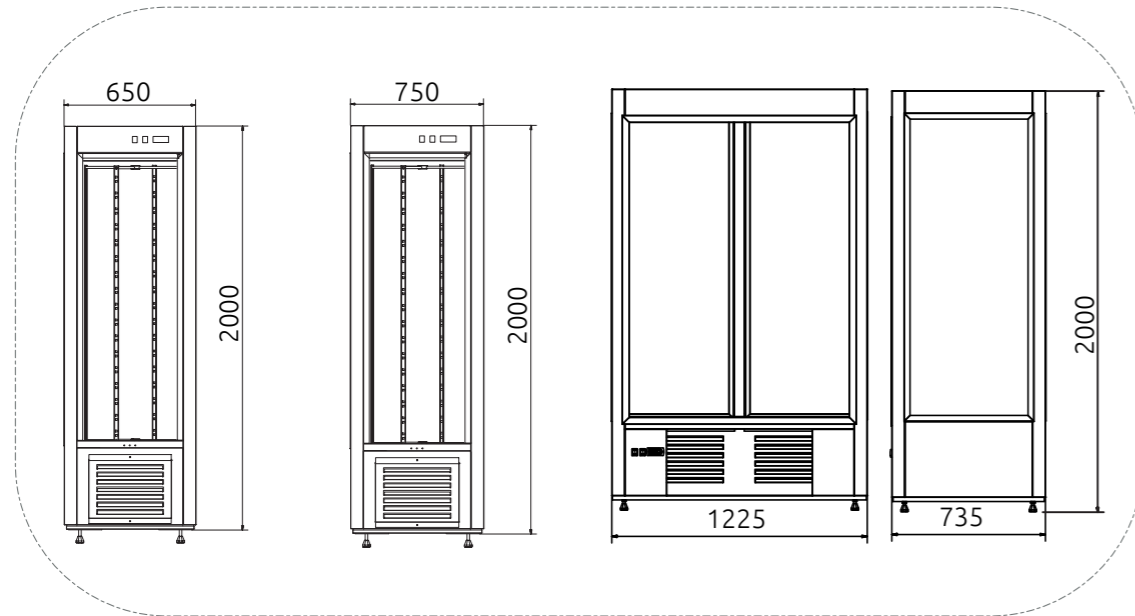
	NET PRICE [EUR]	UM	ID FOR ORDERING
TILTABLE FRONT GLASS	-300	LM	SU





BASE VARIANT OF DEVICE

PLUG-IN			
MODULE	ID FOR ORDERING	LENGTH [mm]	NET PRICE [EUR]
504	SW-504 L	650	2 145
604	SW-604 L	750	2 145
1200	SW-1200 IV DR	1225	2 881



STANDARD EQUIPMENT OF BASE VARIANT

	SW-504	SW-604	SW-IV DR
ENERGY-EFFICIENT REFRIGERATION UNIT	✓	✓	✓
DYNAMIC COOLING	✓	✓	✓
ENERGY-EFFICIENT LED LIGHTING	✓	✓	✓
FOUR-SIDED GLASS ENCLOSURE	✓	✓	✓
EXTERNAL BODY MADE OF POWDER-COATED GALVANIZED STEEL IN RAL COLOR	✓	✓	✓
INTERIOR OF THE CABINET MADE FROM ACID-RESISTANT STAINLESS STEEL AISI 304	✓	✓	✓
ADJUSTABLE FEET FOR LEVELING THE UNIT	✓	✓	✓
AUTOMATIC DEFROSTING	✓	✓	✓
AUTOMATIC EVAPORATION OF CONDENSATE	✓	✓	✓
HINGED DOORS WITH INSULATED GLASS	✓	✓	✓
FIXED GLASS SHELF SYSTEM WITH ADJUSTABLE HEIGHT	✓	✓	-
FIXED WIRE COATED SHELF SYSTEM WITH ADJUSTABLE HEIGHT	-	-	✓
ECO-FRIENDLY POLYURETHANE FOAM INSULATION	✓	✓	✓
ELECTRONIC TEMPERATURE CONTROLLER WITH DIGITAL DISPLAY	✓	✓	✓
COOLING POWER REQUIREMENT: T 0= -15°C [W/M] AT AMBIENT TEMPERATURE OF +25°C AND RELATIVE HUMIDITY OF 60%	500 W		

OPTIONAL EQUIPMENT

	REMARKS	UM	PRICE [EUR]
REVOLVING SYSTEM OF GLASS SHELVES (3 UNITS)	NOT APPLICABLE TO THE MODEL ATHENA IV DR	SET	163
WOODEN HOUSING	NOT APPLICABLE TO THE MODEL ATHENA IV DR	SET	569
ADDITIONAL GLASS SHELF WITH BRACKETS	IN SW-1200 IV DR - 10 PIECES	PC	19
TEMPERATURE RECORDER (USB)		PC	195
HUMIDITY CONTROL SYSTEM		PC	123
GASTRO FEET		SET	57
SET OF WHEELS /CASTERS/		SET	108
WOODEN PALLET	CALCULATED TO LENGTH (NO DISCOUNT)	LM	23
WOODEN CRATE	CALCULATED TO LENGTH (NO DISCOUNT)	LM	61



REFRIGERANT:
R290 - PLUG-IN

COUNTERTOP HEATED DISPLAY CASE NG-2

+30°C ÷ +70°C

NG-2

EXW BOCHNIA / EUR / VALID FROM: 01/02/24

CONTENTS

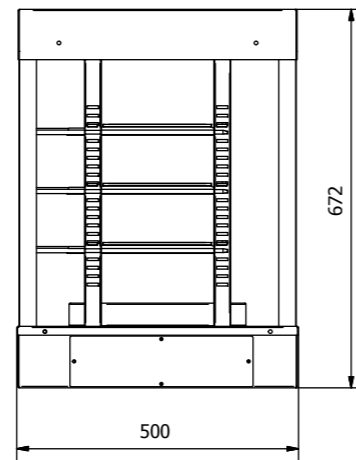
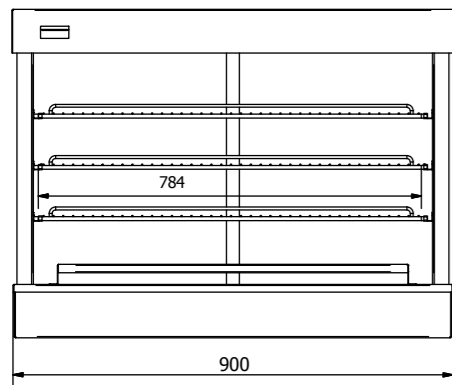
STANDARD EQUIPMENT

	NG-2
HEATER SYSTEM	✓
EXTERIOR MADE OF ACID-RESISTANT STAINLESS STEEL AISI 304	✓
INTERIOR LIGHTING	✓
INTERIOR MADE OF ACID-RESISTANT STAINLESS STEEL AISI 304	✓
ACID-RESISTANT STAINLESS STEEL WIRE SHELVES	✓



BASE VARIANT OF DEVICE

PLUG-IN			
MODULE	ID FOR ORDERING	LENGTH [mm]	NET PRICE [EUR]
NG-2	NG-2	900	1 258





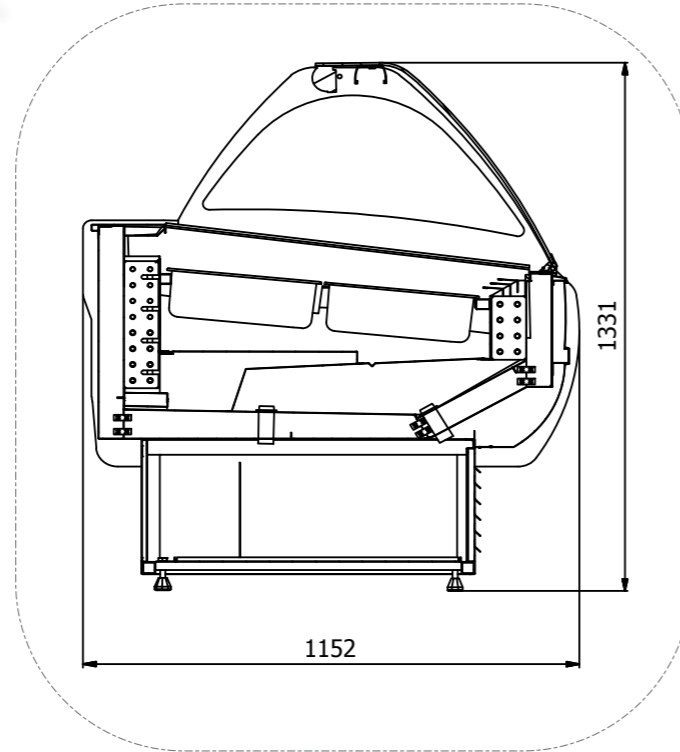
MULTI-FLAVOR ICE CREAM DISPENSERS





BASE VARIANT OF DEVICE

PLUG-IN			
MODULE	ID FOR ORDERING	LENGTH [mm]	NET PRICE [EUR]
W-12	DL	1155	5 032
W-16	DL	1465	5 684



STANDARD EQUIPMENT OF BASE VARIANT

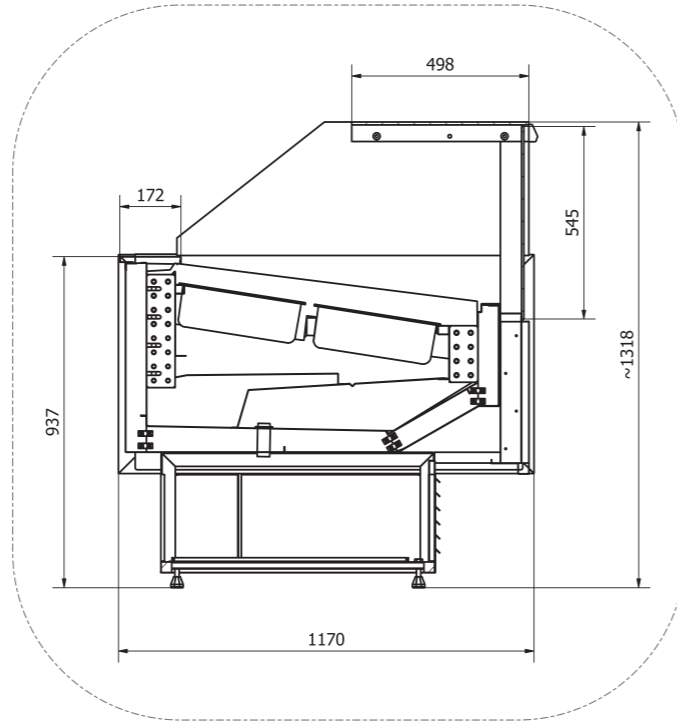
	PLUG-IN
FREEZER UNIT POWERED BY ECO-FRIENDLY R290 REFRIGERANT	✓
DYNAMIC COOLING	✓
EXTERIOR POWDER COATED IN RAL9007, RAL9005, RAL9003	✓
ACID-RESISTANT STAINLESS STEEL WORKTOP AISI 304	✓
LED LIGHTING	✓
FRAME FOR ICE CREAM TRAYS	✓
HEATED SIDE AND FRONT GLASS	✓
ACID-RESISTANT STAINLESS STEEL DISPLAY AREA FOR FLAVOR TRAYS	✓
MANUAL NIGHT CURTAIN	✓
ELECTRONIC TEMPERATURE CONTROLLER WITH DIGITAL DISPLAY	✓
ECO-FRIENDLY POLYURETHANE FOAM INSULATION	✓
AUTOMATIC DEFROSTING	✓
INTERNAL ELECTRONIC THERMOMETER	✓
CONDENSATE DRAINAGE TO CONDENSATE CONTAINER	✓
ADJUSTABLE FEET FOR LEVELING THE DEVICE	✓

OPTIONAL EQUIPMENT

	REMARKS	UM	PRICE(EUR)
ICE CREAM TRAY - 5,2L	W-12 DL - 12 UNITS; W-16 DL - 16 UNITS	PC	21
NIGHT COVERS		LM	44
STAINLESS STEEL RAILING	FRONT SHELF FOR CUSTOMER	LM	90
ELECTRICAL SOCKET 230V		PC	25
ELECTRICAL SOCKET 230V WITH RJ45		PC	49
BALMORAL WORKTOP	THICKNESS 20MM	LM	59
BLACK GRANITE WORKTOP	THICKNESS 20MM	LM	93
SHOPPING CART BUMPER		LM	61
FRONT COUNTER PAINTING IN RAL COLOR	COLD COLOUR CHART	LM	29
COUNTER BODY PAINTING IN RAL COLOR	COLD COLOUR CHART	LM	44
INTERIOR COUNTER PAINTING IN RAL COLOR	AIR INLET AND OUTLET	LM	44
EVAPORATOR PAINTING		LM	79
UK PLUG		PC	16
TEMPERATURE RECORDER (USB)		PC	195
LOWER BODY LIGHTING - LED		LM	38
CONDENSATE CONTAINER MADE OF ACID-RESISTANT STAINLESS STEEL		PC	22
AUTOMATIC CONDENSATE EVAPORATION - ELECTRIC EVAPORATOR	ONLY PLUG-IN (W25, W30, W37 -> 2 UNITS)	PC	157
GASTRO FEET (W20, W25 - 6 UNITS ; W37 - 8 UNITS ; OTHERS - 4 UNITS)		PC	14
SET OF WHEELS/CASTERS/		SET	108
WOODEN PALLET	CALCULATED TO LENGTH (NO DISCOUNT)	LM	15
WOODEN CRATE	CALCULATED TO LENGTH (NO DISCOUNT)	LM	40



REFRIGERANT:
R290 - PLUG-IN



STANDARD EQUIPMENT FOR BASE VARIANT	PLUG-IN
FREEZER UNIT POWERED BY ECO-FRIENDLY R290 REFRIGERANT	✓
DYNAMIC COOLING	✓
EXTERIOR POWDER COATED IN RAL9007, RAL9005, RAL9003	✓
ACID-RESISTANT STAINLESS STEEL WORKTOP AISI 304	✓
LED LIGHTING	✓
FRAME FOR ICE CREAM TRAYS	✓
HEATED SIDE AND FRONT GLASS	✓
ACID-RESISTANT STAINLESS STEEL DISPLAY AREA FOR FLAVOR TRAYS	✓
MANUAL NIGHT CURTAIN	✓
ELECTRONIC TEMPERATURE CONTROLLER WITH DIGITAL DISPLAY	✓
ECO-FRIENDLY POLYURETHANE FOAM INSULATION	✓
AUTOMATIC DEFROSTING	✓
INTERNAL ELECTRONIC THERMOMETER	✓
CONDENSATE DRAINAGE TO CONDENSATE CONTAINER	✓
ADJUSTABLE FEET FOR LEVELING THE DEVICE	✓

OPTIONAL EQUIPMENT	REMARKS	UM	PRICE(EUR)
ICE CREAM TRAY - 5.2L	W-12 DL - 12 UNITS; W-16 DL - 16 UNITS	PC	21
NIGHT COVERS		LM	44
STAINLESS STEEL RAILING	FRONT SHELF FOR CUSTOMER	LM	90
ELECTRICAL SOCKET 230V		PC	25
ELECTRICAL SOCKET 230V WITH RJ45		PC	49
BALMORAL WORKTOP	THICKNESS 20MM	LM	59
BLACK GRANITE WORKTOP	THICKNESS 20MM	LM	93
SHOPPING CART BUMPER		LM	61
FRONT COUNTER PAINTING IN RAL COLOR	COLD COLOUR CHART	LM	29
COUNTER BODY PAINTING IN RAL COLOR	COLD COLOUR CHART	LM	44
INTERIOR COUNTER PAINTING IN RAL COLOR	AIR INLET AND OUTLET	LM	44
EVAPORATOR PAINTING		LM	79
UK PLUG		PC	16
TEMPERATURE RECORDER (USB)		PC	195
LOWER BODY LIGHTING - LED		LM	38
CONDENSATE CONTAINER MADE OF ACID-RESISTANT STAINLESS STEEL		PC	22
AUTOMATIC CONDENSATE EVAPORATION - ELECTRIC EVAPORATOR	ONLY PLUG-IN (W25, W30, W37 -> 2 UNITS)	PC	157
GASTRO FEET (W20, W25 - 6 UNITS ; W37 - 8 UNITS ; OTHERS - 4 UNITS)		PC	14
SET OF WHEELS/CASTERS/		SET	108
WOODEN PALLET	CALCULATED TO LENGTH (NO DISCOUNT)	LM	15
WOODEN CRATE	CALCULATED TO LENGTH (NO DISCOUNT)	LM	40

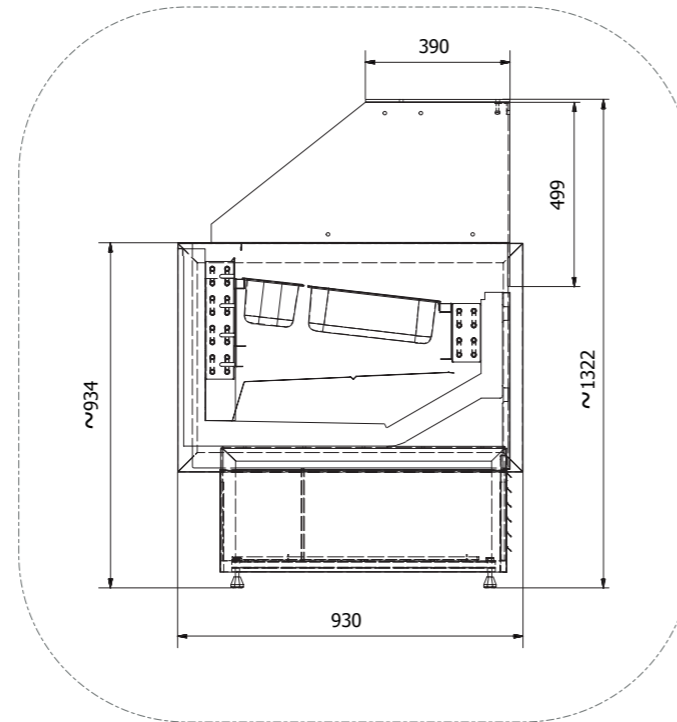
BASE VARIANT OF DEVICE

GALAXY /LIFT-UP FRONT GLASS/ 1170mm

MODULE	ID FOR ORDERING	LENGTH [mm]	NET PRICE [EUR]
W-12	DL PP	1155	5 663
W-16	DL PP	1465	6 299
W-18	DL PP	1690	6 935

GALAXY ECO /TILTABLE FRONT GLASS/ 930mm

MODULE	ID FOR ORDERING	LENGTH [mm]	NET PRICE [EUR]
W-09	DL PU	1155	3 977



REFRIGERANT:
R290 - PLUG-IN



FREEZER ISLANDS



MILLENIUM (PLUG-IN)



-15°C ÷ -24°C
+2°C ÷ +8°C

MILLENIUM

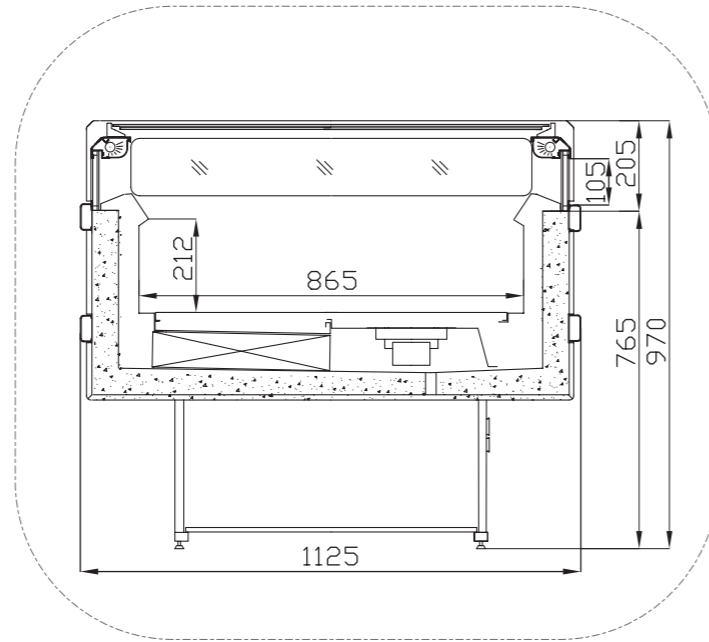
EXW BOCHNIA / EUR / VALID FROM: 01/02/24

CONTENTS



BASE VARIANT OF DEVICE

PLUG-IN (-15°C / -24°C)			
MODULE	ID FOR ORDERING	LENGTH [mm]	NET PRICE [EUR]
W-15	MR/G	1580	3 490
W-20	MR/G	2040	3 677
W-25	MR/G	2505	4 417
PLUG-IN (+2°C / +8°C)			
W-15	MR/G+	1580	2 443
W-20	MR/G+	2040	2 630
W-25	MR/G+	2505	3 074



STANDARD EQUIPMENT FOR BASE VARIANT

	PLUG-IN
INTERNAL REFRIGERATION UNIT	✓
POWERED EXCLUSIVELY BY AN EXTERNAL UNIT	-
DEVICE DESIGNED FOR MODULAR ASSEMBLY	AT NO COST
DYNAMIC COOLING	✓
ECO-FRIENDLY POLYURETHANE FOAM INSULATION	✓
ENERGY-EFFICIENT LED LIGHTING	✓
CONDENSATE DRAINAGE TO CONDENSATE CONTAINER	✓
AUTOMATIC CONDENSATE EVAPORATION	✓
CONDENSATE DRAINAGE TO SEWAGE SYSTEM	-
NIGHT COVERS	✓
HEATED GLASS PANELS	✓
PLASTIC SIDES WITH GLASS (GRAY OR BLACK) - 80 MILLIMETERS	✓
PARTITIONS (W-15/2 PCS; W-20/3 PCS; W-25/4 PCS)	✓
AUTOMATIC DEFROSTING	✓
INTERNAL THERMOMETER	✓
ADJUSTABLE FEET FOR LEVELING THE DEVICE	✓
PRICE TAG STRIPS	✓
BOTTOM SHELVES	✓
EXPANSION VALVE	✓

OPTIONAL EQUIPMENT

	REMARKS	UM	PRICE [EUR]
DEVICE DESIGNED FOR MODULAR ASSEMBLY		PC	0
ADDITIONAL PARTITION		PC	12
TEMPERATURE RECORDER (USB)		PC	195
LACQUERED TOP UNIT WITH LED LIGHTING	EXCLUDES GLASS COVERS	LM	279
POWDER-COATING OF THE BODY IN RAL COLOR	COLD COLOR CHART	LM	65
POWDER-COATING OF INTERIOR IN RAL COLOR	DISPLAY SHELF, AIR INLET AND OUTLET	LM	65
SLIDING GLASS DOOR		LM	244
STAINLESS STEEL RAILING	AVAILABLE MILLENNIUM AND PANORAMA	LM	72
SET OF WHEELS /CASTERS/		SET	99
WOODEN PALLET	CALCULATED TO LENGTH (NO DISCOUNT)	LM	15
WOODEN CRATE	CALCULATED TO LENGTH (NO DISCOUNT)	LM	40



REFRIGERANT:
R290 - PLUG-IN



MODULAR SYSTEM - SIMPLE
ASSEMBLY OF LINES

PANORAMA (PLUG-IN)



-15°C ÷ -24°C
+2°C ÷ +8°C

PANORAMA

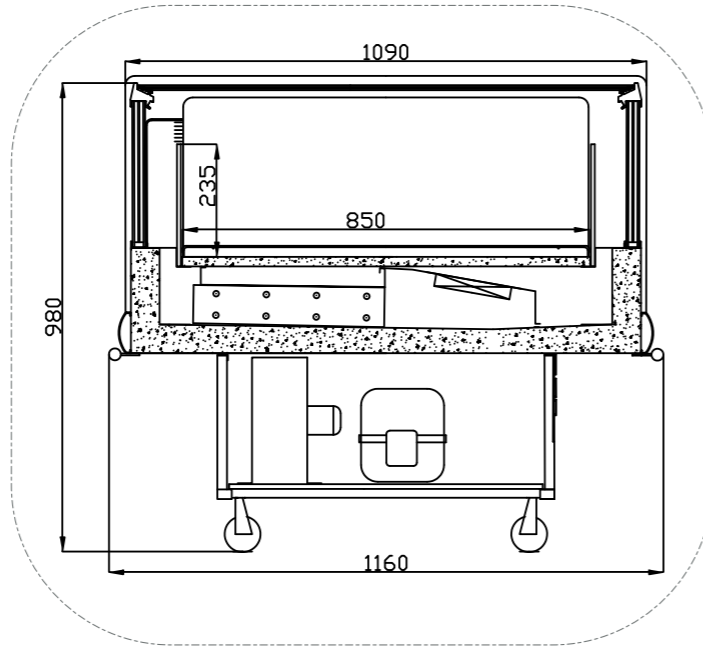
EXW BOCHNIA / EUR / VALID FROM: 01/02/24

CONTENTS



BASE VARIANT OF DEVICE

PLUG-IN (-15°C / -24°C)			
MODULE	ID FOR ORDERING	LENGTH [mm]	NET PRICE [EUR]
W-15	MR/G PANORAMA	1580	3 457
W-20	MR/G PANORAMA	2040	4 620
PLUG-IN (+2°C / +8°C)			
W-15	MR/G PANORAMA+	1580	2 924
W-20	MR/G PANORAMA+	2040	3 403



STANDARD EQUIPMENT FOR BASE VARIANT	PLUG-IN
INTERNAL REFRIGERATION UNIT	✓
POWERED EXCLUSIVELY BY AN EXTERNAL UNIT	-
DEVICE DESIGNED FOR MODULAR ASSEMBLY	AT NO COST
DYNAMIC COOLING	✓
ECO-FRIENDLY POLYURETHANE FOAM INSULATION	✓
ENERGY-EFFICIENT LED LIGHTING	✓
CONDENSATE DRAINAGE TO CONDENSATE CONTAINER	✓
AUTOMATIC CONDENSATE EVAPORATION	✓
CONDENSATE DRAINAGE TO SEWAGE SYSTEM	-
NIGHT COVERS	✓
HEATED GLASS PANELS	✓
PLASTIC SIDES WITH GLASS (GRAY OR BLACK) - 80 MILLIMETERS	✓
PARTITIONS (W-15/2 PCS; W-20/3 PCS; W-25/4 PCS)	✓
AUTOMATIC DEFROSTING	✓
INTERNAL THERMOMETER	✓
ADJUSTABLE FEET FOR LEVELING THE DEVICE	✓
PRICE TAG STRIPS	✓
BOTTOM SHELVES	✓
EXPANSION VALVE	✓

OPTIONAL EQUIPMENT	REMARKS	UM	PRICE [EUR]
DEVICE DESIGNED FOR MODULAR ASSEMBLY		PC	0
ADDITIONAL PARTITION		PC	12
TEMPERATURE RECORDER (USB)		PC	195
LACQUERED TOP UNIT WITH LED LIGHTING	EXCLUDES GLASS COVERS	LM	279
POWDER-COATING OF THE BODY IN RAL COLOR	COLD COLOR CHART	LM	65
POWDER-COATING OF INTERIOR IN RAL COLOR	DISPLAY SHELF, AIR INLET AND OUTLET	LM	65
SLIDING GLASS DOOR		LM	244
STAINLESS STEEL RAILING	AVAILABLE MILLENNIUM AND PANORMA	LM	72
SET OF WHEELS /CASTERS/		SET	99
WOODEN PALLET	CALCULATED TO LENGTH (NO DISCOUNT)	LM	15
WOODEN CRATE	CALCULATED TO LENGTH (NO DISCOUNT)	LM	40



REFRIGERANT:
R290 - PLUG-IN

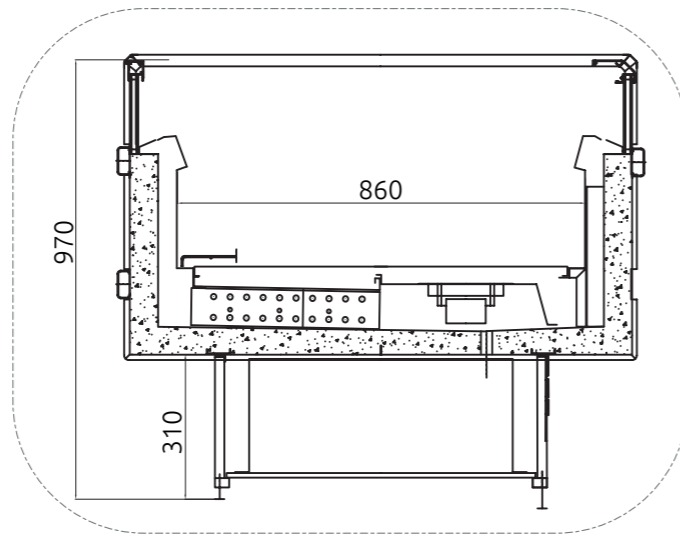


MODULAR SYSTEM - SIMPLE
ASSEMBLY OF LINES



BASE VARIANT OF DEVICE

REMOTE (-15°C /-24°C)			
MODULE	ID FOR ORDERING	LENGTH [mm]	NET PRICE [EUR]
W-15	MR/G/o	1580	2 396
W-20	MR/G/o	2040	2 432
W-25	MR/G/o	2505	3 104
REMOTE (+2°C /+8°C)			
W-15	MR/G/o+	1580	2 303
W-20	MR/G/o+	2040	2 319
W-25	MR/G/o+	2505	2 737



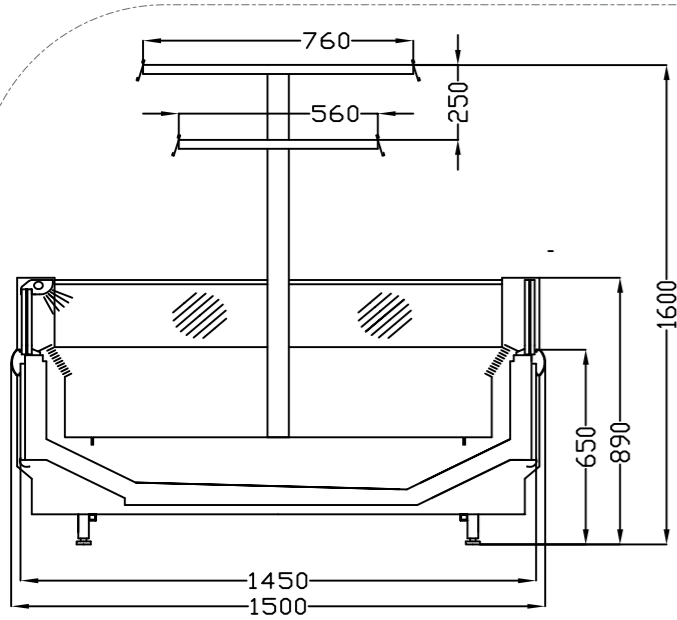
STANDARD EQUIPMENT FOR BASE VARIANT	PLUG-IN
INTERNAL REFRIGERATION UNIT	-
POWERED EXCLUSIVELY BY AN EXTERNAL UNIT	✓
DEVICE DESIGNED FOR MODULAR ASSEMBLY	✓
DYNAMIC COOLING	✓
ECO-FRIENDLY POLYURETHANE FOAM INSULATION	✓
ENERGY-EFFICIENT LED LIGHTING	✓
CONDENSATE DRAINAGE TO CONDENSATE CONTAINER	-
AUTOMATIC CONDENSATE EVAPORATION	-
CONDENSATE DRAINAGE TO SEWAGE SYSTEM	✓
NIGHT COVERS	✓
HEATED GLASS PANELS	✓
PLASTIC SIDES WITH GLASS (GRAY OR BLACK) - 80 MILLIMETERS	✓
PARTITIONS (W-15/2 PCS; W-20/3 PCS; W-25/4 PCS)	✓
AUTOMATIC DEFROSTING	✓
INTERNAL THERMOMETER	✓
ADJUSTABLE FEET FOR LEVELING THE DEVICE	✓
PRICE TAG STRIPS	✓
BOTTOM SHELVES	✓
EXPANSION VALVE R452A	✓
COOLING POWER REQUIREMENT: T 0= -30°C [W/MB] AT AMBIENT TEMPERATURE OF +25°C AND RELATIVE HUMIDITY OF 60%	900

OPTIONAL EQUIPMENT	REMARKS	UM	PRICE [EUR]
DEVICE DESIGNED FOR MODULAR ASSEMBLY		PC	0
ADDITIONAL PARTITION		PC	12
TEMPERATURE RECORDER (USB)		PC	195
LACQUERED TOP UNIT WITH LED LIGHTING	EXCLUDES GLASS COVERS	LM	279
POWDER-COATING OF THE BODY IN RAL COLOR	COLD COLOR CHART	LM	65
POWDER-COATING OF INTERIOR IN RAL COLOR	DISPLAY SHELF, AIR INLET AND OUTLET	LM	65
SLIDING GLASS DOOR		LM	244
STAINLESS STEEL RAILING	AVAILABLE MILLENNIUM AND PANORMA	LM	72
SET OF WHEELS /CASTERS/		SET	99
WOODEN PALLET	CALCULATED TO LENGTH (NO DISCOUNT)	LM	15
WOODEN CRATE	CALCULATED TO LENGTH (NO DISCOUNT)	LM	40

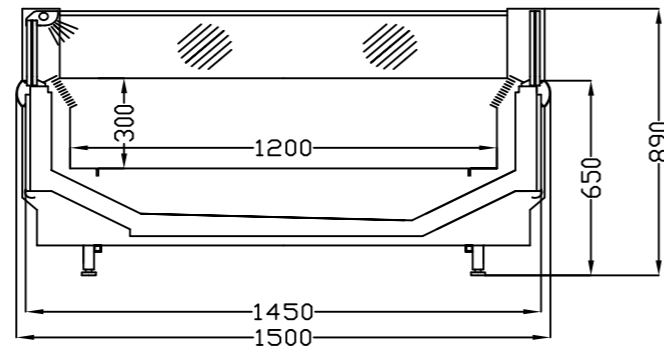


BASE VARIANT OF DEVICE

REMOTE (-15°C / -24°C)			
MODULE	ID FOR ORDERING	LENGTH [mm]	NET PRICE [EUR]
W-20	MR/G/SN	2080	3 656
W-25	MR/G/SN	2580	3 949
W-30	MR/G/SN	3080	4 554



ODESSA WITH LACQUERED TOP UNIT



ODESSA

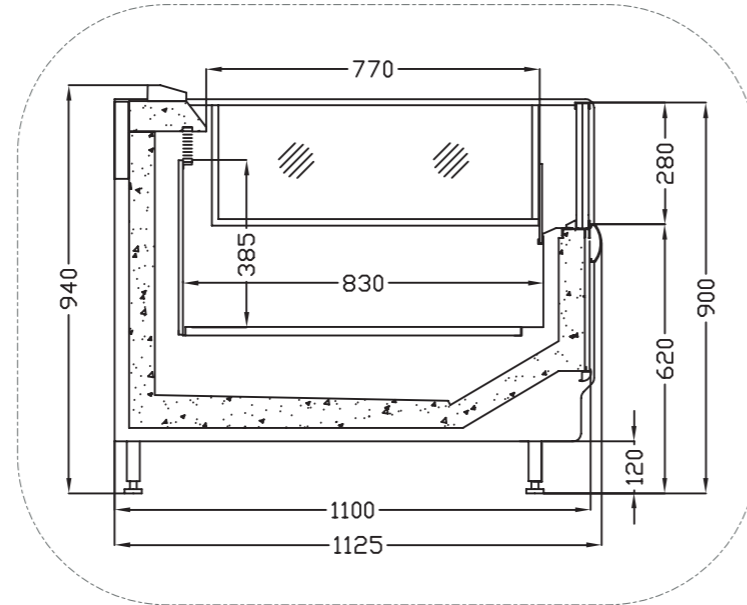
STANDARD EQUIPMENT FOR BASE VARIANT	REMOTE
INTERNAL REFRIGERATION UNIT	-
POWERED EXCLUSIVELY BY AN EXTERNAL UNIT	✓
DEVICE DESIGNED FOR MODULAR ASSEMBLY	✓
DYNAMIC COOLING	✓
ECO-FRIENDLY POLYURETHANE FOAM INSULATION	✓
ENERGY-EFFICIENT LED LIGHTING	✓
CONDENSATE DRAINAGE TO CONDENSATE CONTAINER	-
AUTOMATIC CONDENSATE EVAPORATION	-
CONDENSATE DRAINAGE TO SEWAGE SYSTEM	✓
NIGHT COVERS	✓
HEATED GLASS PANELS	✓
PLASTIC SIDES WITH GLASS (GRAY OR BLACK) - 80 MILLIMETERS	✓
PARTITIONS (W-15/2 PCS; W-20/3 PCS; W-25/4 PCS)	✓
AUTOMATIC DEFROSTING	✓
INTERNAL THERMOMETER	✓
ADJUSTABLE FEET FOR LEVELING THE DEVICE	✓
PRICE TAG STRIPS	✓
BOTTOM SHELVES	✓
EXPANSION VALVE R452A	✓
COOLING POWER REQUIREMENT: T 0= -30°C [W/MB] AT AMBIENT TEMPERATURE OF +25°C AND RELATIVE HUMIDITY OF 60%	1000

OPTIONAL EQUIPMENT	REMARKS	UM	PRICE [EUR]
DEVICE DESIGNED FOR MODULAR ASSEMBLY		PC	0
ADDITIONAL PARTITION		PC	12
TEMPERATURE RECORDER (USB)		PC	195
LACQUERED TOP UNIT WITH LED LIGHTING	EXCLUDES GLASS COVERS	LM	279
POWDER-COATING OF THE BODY IN RAL COLOR	COLD COLOR CHART	LM	65
POWDER-COATING OF INTERIOR IN RAL COLOR	DISPLAY SHELF, AIR INLET AND OUTLET	LM	65
SLIDING GLASS DOOR		LM	244
STAINLESS STEEL RAILING	AVAILABLE MILLENNIUM AND PANORMA	LM	72
SET OF WHEELS /CASTERS/		SET	99
WOODEN PALLET	CALCULATED TO LENGTH (NO DISCOUNT)	LM	15
WOODEN CRATE	CALCULATED TO LENGTH (NO DISCOUNT)	LM	40



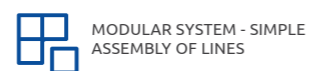
BASE VARIANT OF DEVICE

REMOTE (-15°C / -24°C)			
MODULE	ID FOR ORDERING	LENGTH [mm]	NET PRICE [EUR]
W-20	MR/G/P	2080	3 656
W-25	MR/G/P	2580	3 949
W-30	MR/G/P	3080	4 554



STANDARD EQUIPMENT FOR BASE VARIANT	REMOTE
INTERNAL REFRIGERATION UNIT	-
POWERED EXCLUSIVELY BY AN EXTERNAL UNIT	✓
DEVICE DESIGNED FOR MODULAR ASSEMBLY	✓
DYNAMIC COOLING	✓
ECO-FRIENDLY POLYURETHANE FOAM INSULATION	✓
ENERGY-EFFICIENT LED LIGHTING	✓
CONDENSATE DRAINAGE TO CONDENSATE CONTAINER	-
AUTOMATIC CONDENSATE EVAPORATION	-
CONDENSATE DRAINAGE TO SEWAGE SYSTEM	✓
NIGHT COVERS	✓
HEATED GLASS PANELS	✓
PLASTIC SIDES WITH GLASS (GRAY OR BLACK) - 80 MILLIMETERS	✓
PARTITIONS (W-15/2 PCS; W-20/3 PCS; W-25/4 PCS)	✓
AUTOMATIC DEFROSTING	✓
INTERNAL THERMOMETER	✓
ADJUSTABLE FEET FOR LEVELING THE DEVICE	✓
PRICE TAG STRIPS	✓
BOTTOM SHELVES	✓
EXPANSION VALVE R452A	✓
COOLING POWER REQUIREMENT: T 0= -30°C [W/MB] AT AMBIENT TEMPERATURE OF +25°C AND RELATIVE HUMIDITY OF 60%	900

OPTIONAL EQUIPMENT	REMARKS	UM	PRICE [EUR]
DEVICE DESIGNED FOR MODULAR ASSEMBLY		PC	0
ADDITIONAL PARTITION		PC	12
TEMPERATURE RECORDER (USB)		PC	195
LACQUERED TOP UNIT WITH LED LIGHTING	EXCLUDES GLASS COVERS	LM	279
POWDER-COATING OF THE BODY IN RAL COLOR	COLD COLOR CHART	LM	65
POWDER-COATING OF INTERIOR IN RAL COLOR	DISPLAY SHELF, AIR INLET AND OUTLET	LM	65
SLIDING GLASS DOOR		LM	244
STAINLESS STEEL RAILING	AVAILABLE MILLENNIUM AND PANORMA	LM	72
SET OF WHEELS /CASTERS/		SET	99
WOODEN PALLET	CALCULATED TO LENGTH (NO DISCOUNT)	LM	15
WOODEN CRATE	CALCULATED TO LENGTH (NO DISCOUNT)	LM	40



MODULAR SYSTEM - SIMPLE ASSEMBLY OF LINES



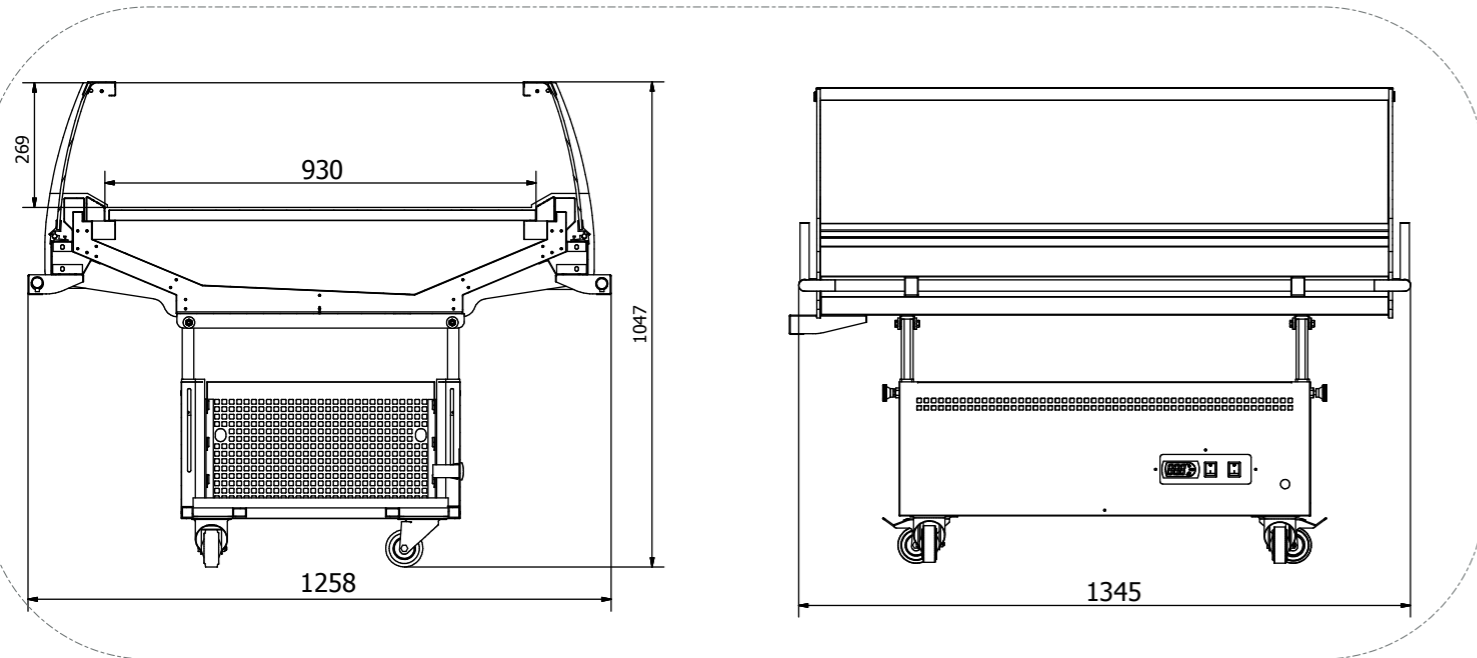
REFRIGERATED MERCHENDISERS





BASE VARIANT OF DEVICE

PLUG-IN			
MODULE	ID FOR ORDERING	LENGTH [mm]	NET PRICE [EUR]
W-12	BALI	1345	2 784



STANDARD EQUIPMENT FOR BASE VARIANT

	PLUG-IN
INTERNAL REFRIGERATION UNIT	✓
DEVICE POWERED BY ECO-FRIENDLY REFRIGERANT R-290	✓
DYNAMIC COOLING WITH AUTOMATIC DEFROSTING	✓
EXTERIOR IN POWDER-COATED SHEET METAL: RAL9005	✓
INTERIOR AND DISPLAY SHELVES IN POWDER-COATED SHEET METAL: RAL 9005	✓
OPTION TO TILT THE DISPLAY SURFACE UP TO 15°	✓
SET OF CASTERS WITH BRAKES	✓
POSSIBILITY OF SIDE-BY-SIDE ASSEMBLY	✓
AUTOMATIC CONDENSATE EVAPORATION	✓
ELECTRONIC TEMPERATURE CONTROL WITH DIGITAL DISPLAY	✓
LED LIGHTING	✓
PLASTIC BUMPER	✓
CONDENSATE CONTAINER MADE OF ACID-RESISTANT STAINLESS STEEL	✓

OPTIONAL EQUIPMENT

	REMARKS	UM	PRICE [EUR]
SLIDING GLASS DOOR		LM	265
POWDER-COATING OF BODY: RAL	COLD COLOR CHART	LM	44
POWDER-COATING OF INTERIOR: RAL	DISPLAY SHELF, AIR INLET AND OUTLET	LM	44
POWDER-COATING OF EVAPORATOR		LM	79
STAINLESS STEEL BUMPER	FOUR-SIDED	SET	117
DISPLAY SHELF MADE OF ACID-RESISTANT STAINLESS STEEL		LM	291
UK PLUG		PC	16
TEMPERATURE RECORDER (USB)		PC	195
GASTRO FEET	IN PLACE OF WHEELS	SET	0
WOODEN PALLET	CALCULATED TO LENGTH (NO DISCOUNT)	LM	15
WOODEN CRATE	CALCULATED TO LENGTH (NO DISCOUNT)	LM	40



MODULAR SYSTEM - SIMPLE ASSEMBLY OF LINES

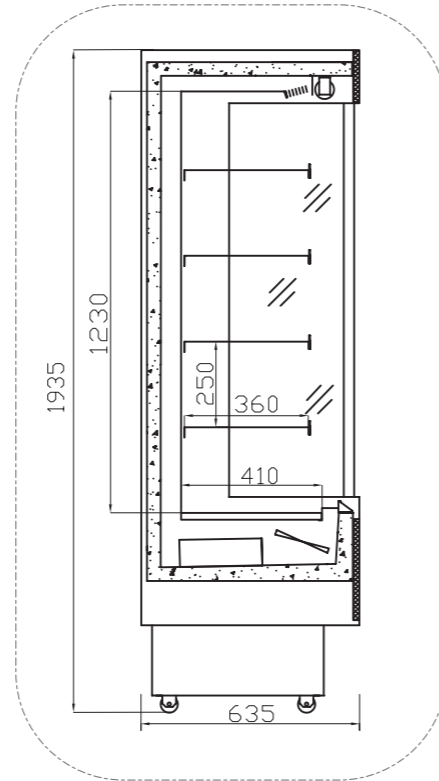


REFRIGERANT: R290 - PLUG-IN; R452 - REMOTE



BASE VARIANT OF DEVICE

BERGAMO			
MODULE	ID FOR ORDERING	LENGTH [mm]	NET PRICE [EUR]
R-09	BERGAMO	990	2 932
R-12	BERGAMO	1200	3 110
R-14	BERGAMO	1400	3 260



STANDARD EQUIPMENT OF BASE VARIANT

	PLUG-IN
INTERNAL REFRIGERATION UNIT	✓
DYNAMIC COOLING	✓
ENERGY-EFFICIENT LED LIGHTING	✓
WOODEN SIDES (THICKNESS 36MM) WITH INSULATED GLASS	✓
ECO-FRIENDLY POLYURETHANE FOAM INSULATION	✓
INTERIOR AND SHELVES MADE OF GALVANIZED STEEL PAINTED IN RAL 7016 COLOR	✓
ADJUSTABLE DISPLAY SHELVES WITH HEIGHT AND ANGLE OPTIONS - 4 ROWS	✓
PRICE TAG STRIPS	✓
MANUAL NIGHT BLIND	✓
ELECTRONIC TEMPERATURE CONTROLLER WITH DIGITAL DISPLAY	✓
CONDENSATE DRAINAGE TO CONDENSATE CONTAINER	✓
AUTOMATIC DEFROSTING	✓
ADJUSTABLE FEET FOR LEVELING THE DEVICE	✓
WOODEN HOUSING	✓

OPTIONAL EQUIPMENT

	REMARKS	UM	PRICE [EUR]
SHELF LIMITERS	4 ROWS	LM	59
ADDITIONAL UNDER-SHELF LED LIGHTING	4 ROWS	LM	155
STAINLESS STEEL HOOK STRIP	1 HOOK PER 20 CM	LM	109
ADDITIONAL HOOK	PIECE	PC	12
REINFORCED SHELVES	HIGHER LOAD CAPACITY	LM	50
ADDITIONAL ROW OF LACQUERED SHELVES	WITH BRACKETS	LM	66
SHELVES MADE OF ACID-RESISTANT STAINLESS STEEL	FOUR ROWS OF SHELVES + BASE SHELF	LM	521
ADDITIONAL ROW OF SHELVES MADE OF ACID-RESISTANT STAINLESS STEEL		LM	112
INTERIOR MADE OF ACID-RESISTANT STAINLESS STEEL	BACK, GUIDES, BOTTOM, VENT PLATE WITHOUT SHELVES	LM	291
BASE SHELF MADE OF ACID-RESISTANT STAINLESS STEEL	RECOMMENDED FOR PICKLES DISPLAY	LM	96
BOTTOM/ELEMENT UNDER THE EVAPORATOR/ MADE OF ACID-RESISTANT STAINLESS STEEL	RECOMMENDED FOR PICKLES DISPLAY	LM	44
BOTTOM + FAN PLATE MADE OF ACID-RESISTANT STAINLESS STEEL	RECOMMENDED FOR PICKLES DISPLAY	LM	88
VERTICAL DIVIDER MADE OF PLEXIGLAS		PC	83
EVAPORATOR HEATERS		LM	104
PRICE TAG STRIPS	APPLIES TO ADDITIONAL ROW OF SHELVES	LM	2
INTERIOR POWDER-COATING IN A DIFFERENT RAL COLOR		PC	65
TEMPERATURE RECORDER (USB)		PC	208
POWDER-COATED EVAPORATOR		LM	80
SET OF WHEELS/CASTERS		SET	121
AUTOMATIC CONDENSATE EVAPORATION (ELECTRIC) - FOR R25, R30 MODULES 2 PCS.	NOT AVAILABLE FOR VEGETABLE DISPLAY	PC	164
WOODEN PALLET	CALCULATED TO LENGTH (NO DISCOUNT)	LM	15
WOODEN CRATE	CALCULATED TO LENGTH (NO DISCOUNT)	LM	63



REFRIGERANT:
R290 - PLUG-IN



YOKOHAMA ONE



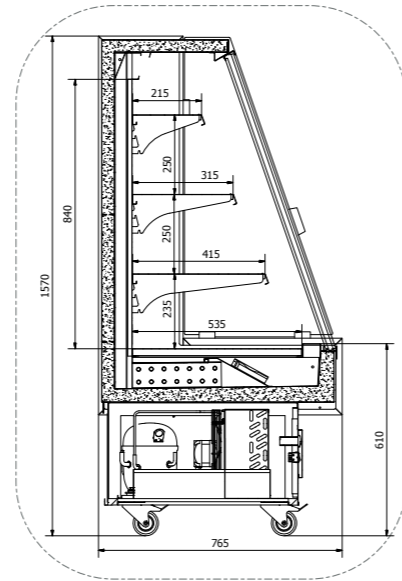
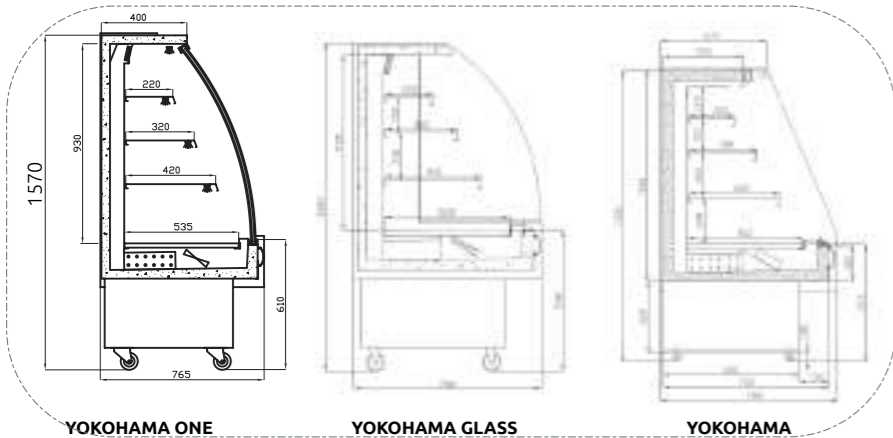
YOKOHAMA GLASS



YOKOHAMA

BASE VARIANT OF DEVICE

MODULE	ID FOR ORDERING	LENGTH [mm]	NET PRICE [EUR]
R-12	YOKOHAMA ONE VD STRAIGHT GLASS	1200	2 779
R-15	YOKOHAMA ONE VD STRAIGHT GLASS	1500	3 040
R-18	YOKOHAMA ONE VD STRAIGHT GLASS	1800	3 645
R-24	YOKOHAMA ONE VD STRAIGHT GLASS	2400	5 008



YOKOHAMA ONE VD

STANDARD EQUIPMENT FOR BASE VARIANT

	PLUG-IN
INTERNAL REFRIGERATION UNIT	✓
DYNAMIC COOLING	✓
ENERGY-EFFICIENT LED LIGHTING	✓
METAL SIDES (THICKNESS 40 MM) WITH INSULATED GLASS	✓
ECO-FRIENDLY POLYURETHANE FOAM INSULATION	✓
INTERIOR AND SHELVES MADE OF GALVANIZED STEEL PAINTED IN RAL 9005 COLOR	✓
ADJUSTABLE DISPLAY SHELVES WITH HEIGHT AND ANGLE OPTIONS - 3 ROWS	✓
PRICE TAG STRIPS	✓
MANUAL NIGHT BLIND	✓
FRONT BUMPER - CHOICE OF COLOR (GRAY, BLACK, RED)	✓
ELECTRONIC TEMPERATURE CONTROLLER WITH DIGITAL DISPLAY	✓
CONDENSATE DRAINAGE TO CONDENSATE CONTAINER	✓
AUTOMATIC DEFROSTING	✓
ADJUSTABLE FEET FOR LEVELING THE DEVICE	✓

OPTIONAL EQUIPMENT

	REMARKS	UM	PRICE [EUR]
SHELF LIMITERS	3 ROWS	LM	44
ADDITIONAL UNDER-SHELF LED LIGHTING	3 ROWS	LM	117
ADDITIONAL ROW OF LACQUERED SHELVES	WITH BRACKETS	LM	66
SHELVES MADE OF ACID-RESISTANT STAINLESS STEEL	3 ROWS + BASE SHELF	LM	390
ADDITIONAL ROW OF SHELVES MADE OF ACID-RESISTANT STAINLESS STEEL		LM	112
INTERIOR MADE OF ACID-RESISTANT STAINLESS STEEL	BACK, GUIDES, BOTTOM, VENT PLATE WITHOUT SHELVES	LM	291
BASE SHELF MADE OF ACID-RESISTANT STAINLESS STEEL	RECOMMENDED FOR PICKLES DISPLAY	LM	96
BOTTOM/ELEMENT UNDER THE EVAPORATOR/ MADE OF ACID-RESISTANT STAINLESS STEEL	RECOMMENDED FOR PICKLES DISPLAY	LM	44
BOTTOM + FAN PLATE MADE OF ACID-RESISTANT STAINLESS STEEL	RECOMMENDED FOR PICKLES DISPLAY	LM	88
EVAPORATOR HEATERS		LM	104
PRICE TAG STRIPS	APPLIES TO ADDITIONAL ROW OF SHELVES	LM	2
INTERIOR POWDER-COATING IN A DIFFERENT RAL COLOR		PC	65
TEMPERATURE RECORDER (USB)		PC	208
POWDER-COATED EVAPORATOR		LM	80
SET OF WHEELS /CASTERS/		SET	121
AUTOMATIC CONDENSATE EVAPORATION (ELECTRIC) - FOR R25, R30 MODULES 2 PCS.	NOT AVAILABLE FOR VEGETABLE DISPLAY	PC	164
WOODEN PALLET	CALCULATED TO LENGTH (NO DISCOUNT)	LM	15
WOODEN CRATE	CALCULATED TO LENGTH (NO DISCOUNT)	LM	63

ATTENTION!

DEVICE CONFIGURATION OPTIONS:

DIFFERENCE IN STANDARD EQUIPMENT COMPARED TO THE BASE VARIANT	NET PRICE [EUR]	UM	ID FOR ORDERING
YOKOHAMA ONE, CLOSED VERSION, CURVED FRONT GLASS, SIDES WITH GLASS	+214	LM	YOKOHAMA ONE
YOKOHAMA, OPEN VERSION, FULL SIDES	-289	LM	YOKOHAMA
YOKOHAMA OPEN VERSION, SIDES WITH GLASS	-215	LM	YOKOHAMA GLASS



REFRIGERANT:
R290 - PLUG-IN



FRUIT AND VEGATABLE DISPLAYS



ISLAND (NEUTRAL)

FRUIT AND VEGETABLE DISPLAY

EXW BOCHNIA / EUR / VALID FROM: 01/02/24

CONTENTS



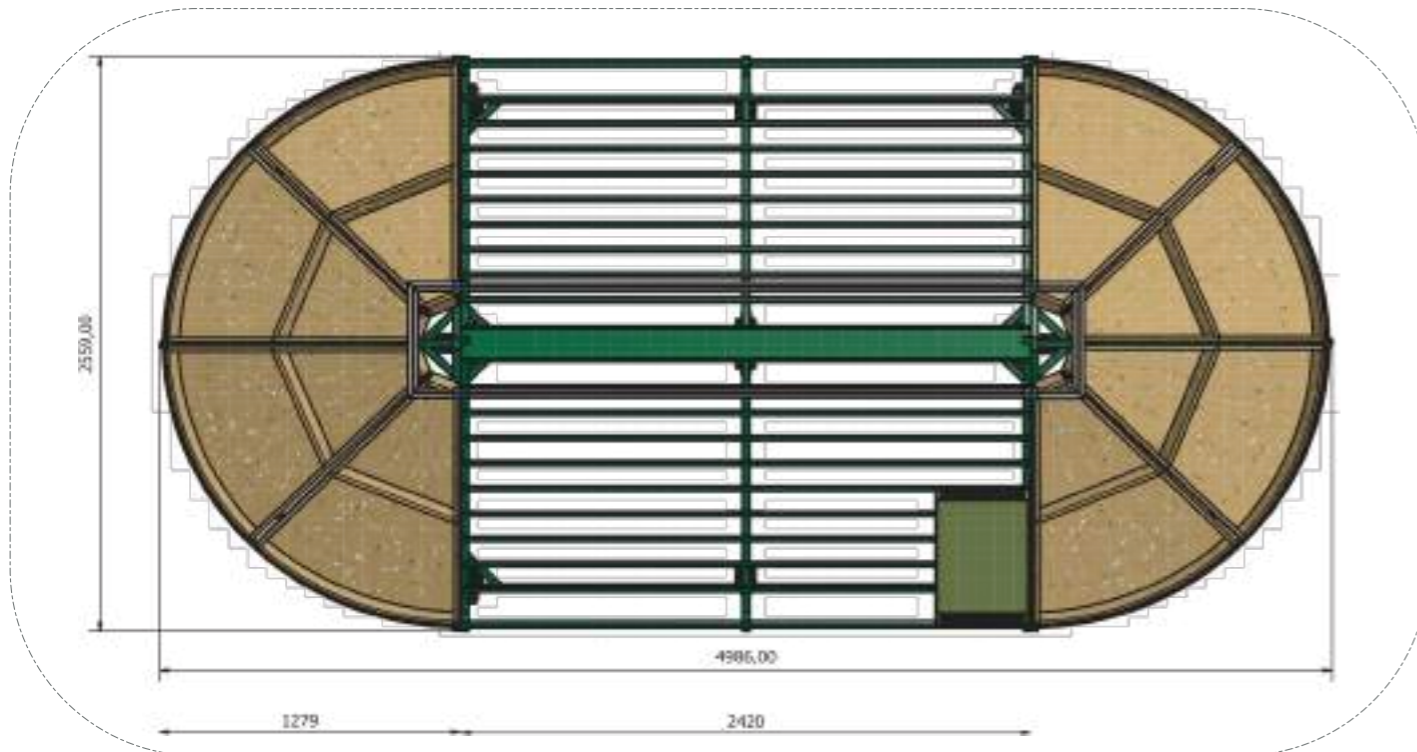
STANDARD EQUIPMENT FOR BASE MODEL	NEUTRAL
SOLID CONSTRUCTION MADE OF HIGH-GRADE STEEL PROFILES	✓
STAINLESS STEEL RAILING	✓
SHELVING COLOR SCHEME ACCORDING TO RAL PALETTE	✓
PRICE TAG HOLDER	✓
SET OF WHEELS /CASTERS/	✓

OPTIONAL EQUIPMENT	REMARKS	UM	PRICE[EUR]
WICKER BASKETS 60X40	FOR STRAIGHT MODULE	PC	36
PLASTIC CRATE 60X40		PC	13
POWDER COATING THE FRAME IN A DIFFERENT RAL COLOR		LM	36

BASE VARIANT OF DEVICE

ISLAND FOR DISPLAYING FRUITS AND VEGETABLES				CRATES QUANTITY*
MODULE	ID FOR ORDERING	LENGTH [mm]	NET PRICE [EUR]	600 x 400
1.25	ISLAND	1250	2 644	12
2.05	ISLAND	2050	4 103	20
2.45	ISLAND	2450	4 433	24
1/2 KOLEA	ISLAND 1/2 CIRCLE	1740	2 423	-

1 - OPTIONAL EQUIPMENT



WALL STAND (NEUTRAL)

FRUIT AND VEGETABLE DISPLAY

EXW BOCHNIA / EUR / VALID FROM: 01/02/24

CONTENTS



STANDARD EQUIPMENT FOR BASE MODEL	NEUTRAL
SOLID CONSTRUCTION MADE OF HIGH-GRADE STEEL PROFILES	✓
STAINLESS STEEL RAILING	✓
SHELVING COLOR SCHEME ACCORDING TO RAL PALETTE	✓
PRICE TAG HOLDER	✓
SET OF WHEELS /CASTERS/	✓

OPTIONAL EQUIPMENT	REMARKS	UM	PRICE[EUR]
WICKER BASKETS 60X40	FOR STRAIGHT MODULE	PC	36
PLASTIC CRATE 60X40		PC	13
POWDER COATING THE FRAME IN A DIFFERENT RAL COLOR		LM	36

BASE VARIANT OF UNIT

WALL STAND FOR DISPLAYING FRUIT AND VEGETABLES				CRATES QUANTITY
MODULE	ID FOR ORDERING	LENGTH [mm]	NET PRICE [EUR]	600 x 400
1.25	WALL STAND	1250	1 437	6
2.05	WALL STAND	2050	2 231	10
2.45	WALL STAND	2450	2 634	12

1-OPTIONAL EQUIPMENT

